

**SONY** Compliant

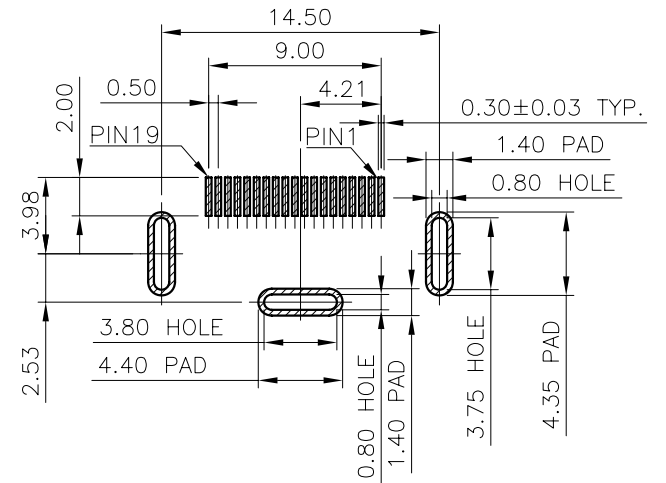
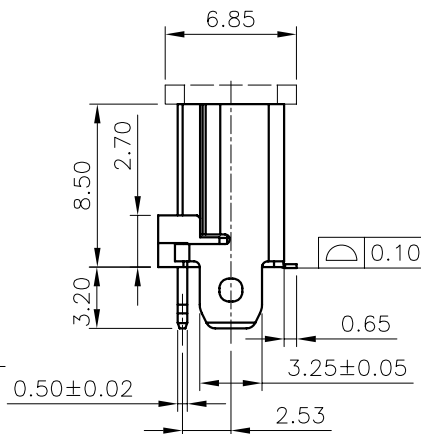
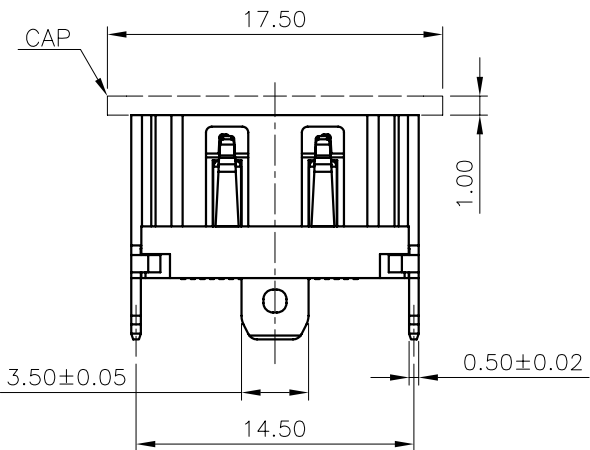
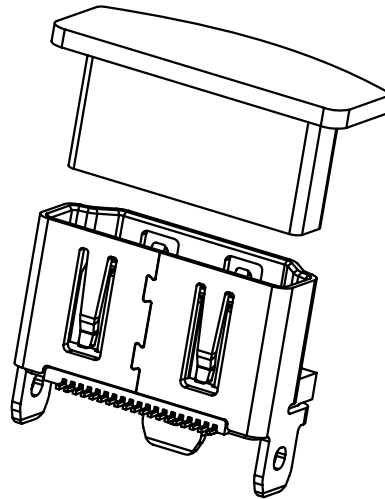
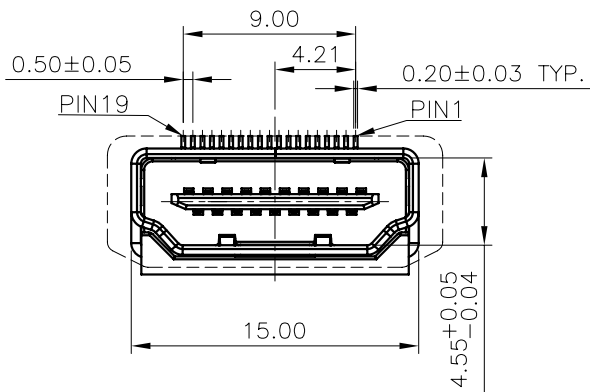
**FOR REFERENCE ONLY**

REV	DATE	DESCRIPTION	ECN NO.	NAME
A	11.04.07	PROPOSAL		RIKER

3168 SERIES HDMI FEMALE VERTICAL 8.5H SMT TYPE

NOTE

- 1.MATERIAL :
- HOUSING : THERMOPLASTIC(UL94V-0),BLACK.
  - CAP : THERMOPLASTIC(UL94V-0),BLACK.
  - TERMINAL : COPPER ALLOY.
  - SHELL : COPPER ALLOY.
- 2.PLATED :
- TERMINAL : Au PLATED ON CONTACT AREA (ORDER INFORMATION),Sn PLATED ON SOLDER TAIL AREA BOTH OVER Ni UNDERPLATED OVERALL.
  - SHELL : SOLDERABLE Ni OVERALL.
- 3.PAKEAGE : TAPE&REEL
- 4.ORDER INFORMATION : 3168-3200 XX XX -S0
- ① — 01: W/ CAP ① ②
  - ② — 01 : Au FLASH ON CONTACT AREA,
  - 02 : 3u" Au ON CONTACT AREA,
  - 03 : 15u" Au ON CONTACT AREA,
  - 04 : 30u" Au ON CONTACT AREA.



RECOMMENDED PCB LAYOUT (TOP VIEW)  
TOLERANCE: ±0.05mm

GENERAL TOLERANCE	WIESON TECHNOLOGIES CO., LTD		PART NO.:	
X.X = ±0.20	DRAWN BY	RIKER	3168-3200XXXX-S0	
X.XX = ±0.15	CHECKED BY		DRAWING NO.	3168-3200XXXX-S0
X.X' = ±3'	APPROVED BY		DRAWING SIZE	2.5: 1 A4
	SORTING NO.	WSC	UNIT	mm
			PAGE	1 OF 1