

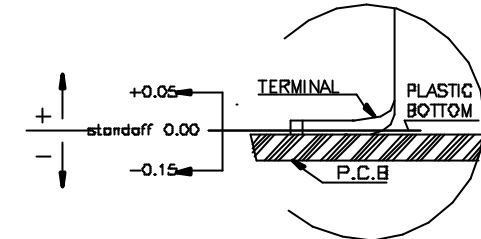
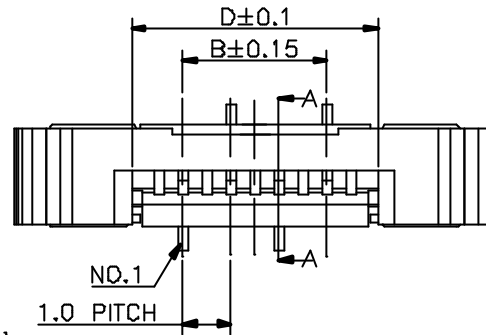
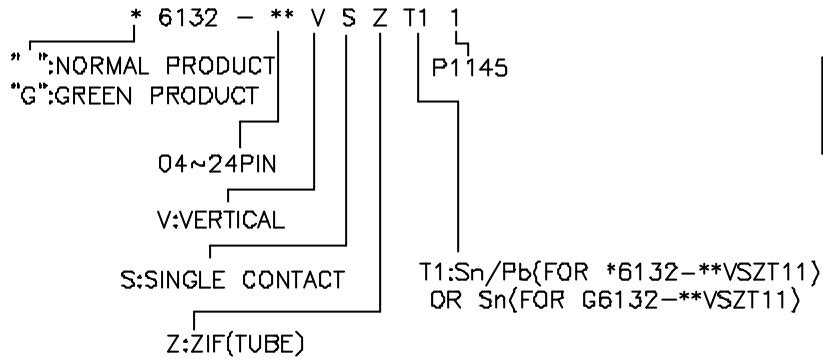
# 6132 SERIES 1.0mm FPC CONNECTORS SMT TYPE

REV	DATE	DESCRIPTION	ECN NO.	NAME
A	03.10.16	NEW RELEASE		PETER

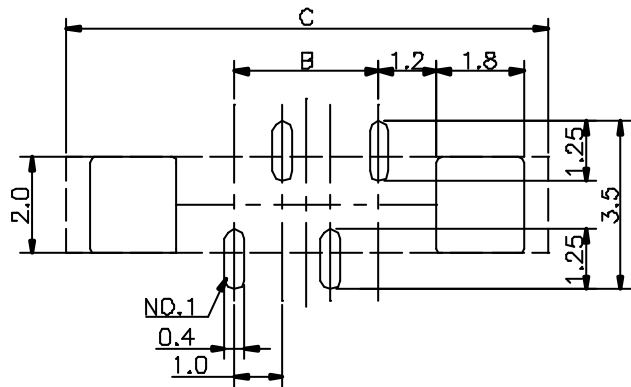
## MATERIAL

HOUSING : THERMOPLASTIC (UL94V-0)  
 HOUSING COLOR : WHITE  
 TERMINAL : COPPER ALLOY  
 TERMINAL PLATED : SEE ORDER INFORMATION

## ORDER INFORMATION

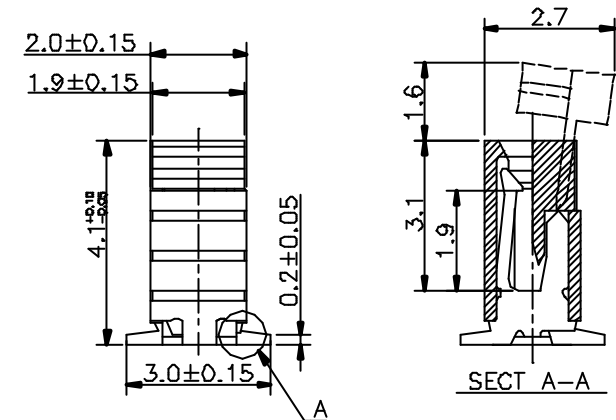
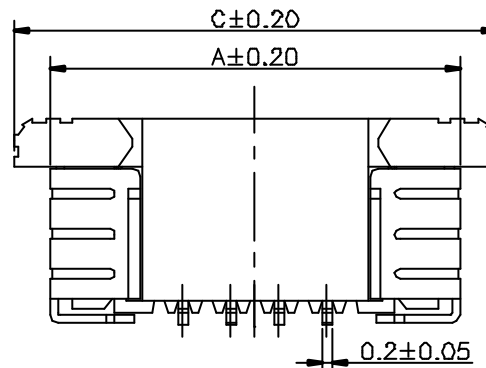


A VIEW: PASTE P.C.B. SCHEMATIC



RECOMMENDED P.C. BOARD LAYOUT

DIM  
 A=5.5+B  
 B=1.0\*(POSITIONS-1)  
 C=7.0+B  
 D=2.1+B



NOTE: 1. P.C.B LAYOUT TOLERANCE:  $\pm$ 0.05mm  
 2. SMT COPLANARITY TOLERANCE: 0.13mm Max.

GENERAL TOLERANCE $\pm$ 0.25mm	WIESON TECHNOLOGIES CO., LTD	PART NO.: *6132-**-**VSZT11	
GENERAL ANGLE TOLERANCE $\pm$ 3°		DRAWN BY PETER(WSC)	DRAWING NO. *6132-**-**VSZT11
SORTING NO.	CHECKED BY	DRAWING SIZE 4: 1 A3	UNIT mm
	APPROVED BY KEVIN	PAGE 1 OF 1	

ISSUED

[ARTICLE:044033 V3]