

6136 SERIES 0.5mm FPC CONNECTORS BOTTOM CONTACT SMT TYPE

REV	DATE	DESCRIPTION	ECN NO.	NAME
A	02.12.20	NEW RELEASE		HH
B	03.03.28	△CHANGE DRAWING	AK0303009	HH
C	03.08.11	△ADD GREEN PART NO.	AK0308008	ANLG
D	03.09.23	△ADD ORDER INFORMATION	AK0309012	LION
E	04.07.17	△MODIFICATION	AK0407018	ANLG
F	04.11.10	△ADD FFC SPEC.	AK0411015	ALLEN
G	05.09.16	△ADD OPTION	AK0509019	WZJUN

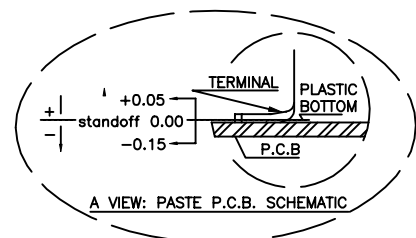
MATERIAL

HOUSING: THERMOPLASTIC (UL94V-0)
 HOUSING COLOR: IVORY
 COVER: SEE ORDER INFORMATION
 COVER COLOR: SEE ORDER INFORMATION
 TERMINAL: COPPER ALLOY

△ TERMINAL PLATING: Sn/Pb(FOR 6136-06****) OR Sn(FOR G6136-06****) PLATED

MOUNTING LEG: COPPER ALLOY

△ MOUNTING LEG PLATING: Sn/Pb(FOR 6136-06****) OR Sn(FOR G6136-06****) PLATED

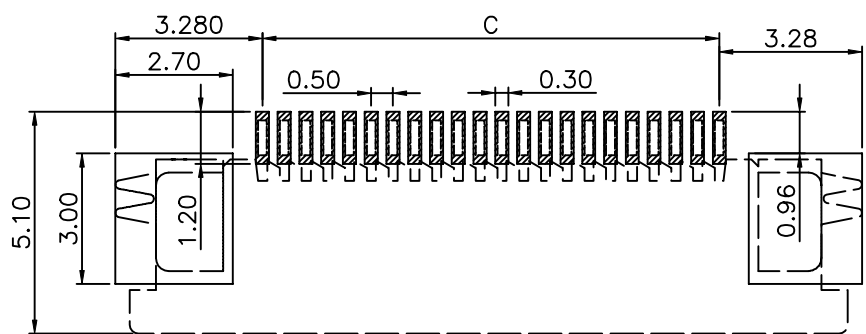
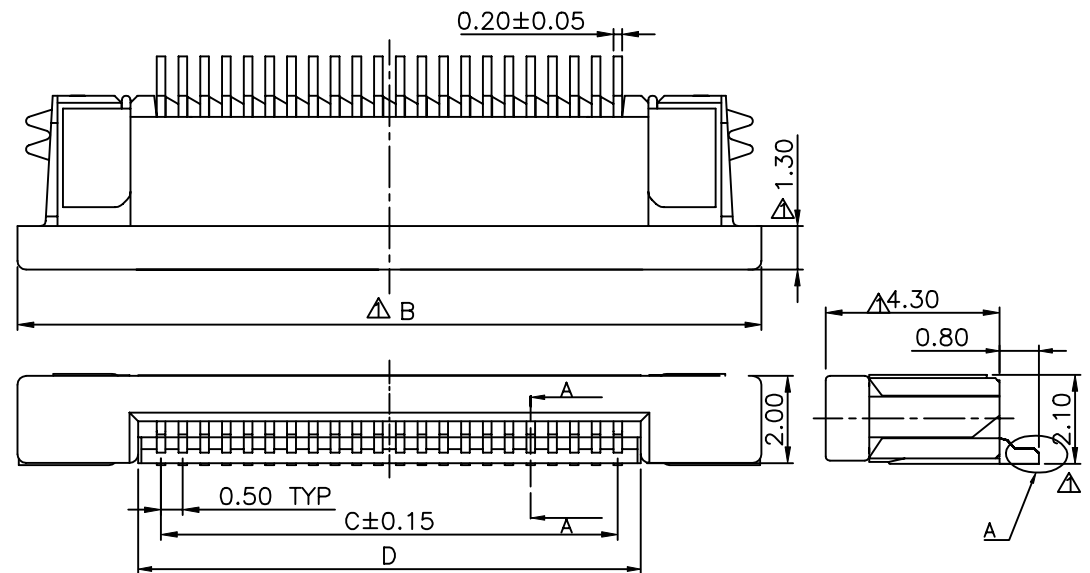


ORDER INFORMATION

△ * 6136 - 06 ** **
 "":NORMAL PRODUCT
 "G":GREEN PRODUCT
 BOTTOM CONTACT 04~50 PINS

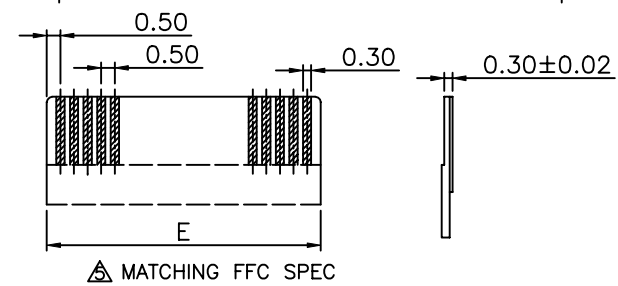
△ PACKAGING TYPE&LOGO&COVER MATERIAL(UL94V-0)&COVER COLOR

- 01: TUBE, NO WIESON LOGO, PPS, BROWN
- 02: TAPE REEL, NO WIESON LOGO, PPS, BROWN
- 03: TUBE, WITH WIESON LOGO, PPS, BROWN
- 04: TAPE REEL, WITH WIESON LOGO, PPS, BROWN
- 11: TUBE, NO WIESON LOGO, LCP. BLACK
- 12: TAPE REEL, NO WIESON LOGO, LCP. BLACK
- 13: TUBE, WITH WIESON LOGO, LCP. BLACK
- 14: TAPE REEL, WITH WIESON LOGO, LCP. BLACK



RECOMMENDED P.C.BOARD LAYOUT

NOTE: 1. P.C.B LAYOUT TOLERANCE:±0.05mm
 2. SMT COPLANARITY TOLERANCE Max 0.13mm



DIM.
 B=0.5*PINS+6.4
 C=0.5*(PINS-1)
 D=0.5*(PINS+1)+0.1
 E=D-0.1

GENERAL TOLERANCE ±0.25mm GENERAL ANGLE TOLERANCE ±3°	WIESON TECHNOLOGIES CO, LTD		PART NO.: △*6136-06 ** **	
			DRAWN BY	HH (WSC)
	CHECKED BY	JIMMY	DRAWING SIZE	A4
	APPROVED BY	JERRY	UNIT	mm
	SORTING NO. P1003(WSC),WSC△	PAGE	1 OF 1	

ISSUED