

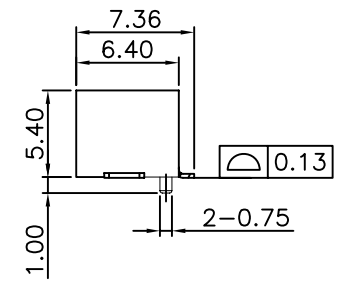
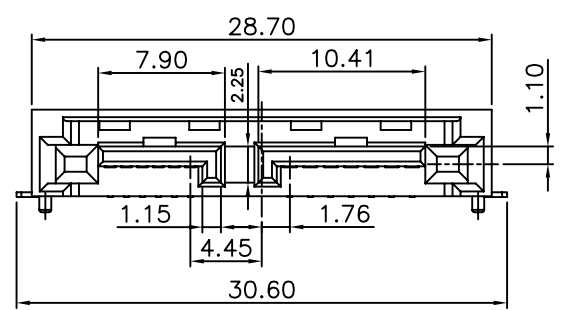
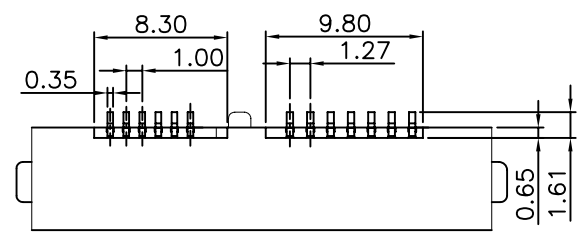
RoHS Compliant

1212 SERIES SATA 7+6P SMT TYPE

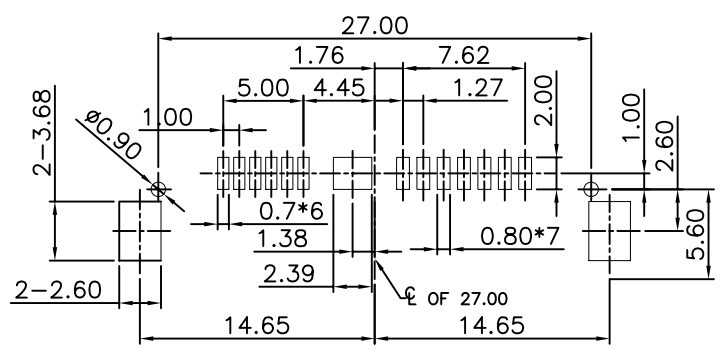
REV	DATE	DESCRIPTION	NAME
01	08.01.08	NEW RELEASE	ZXH

MATERIAL:

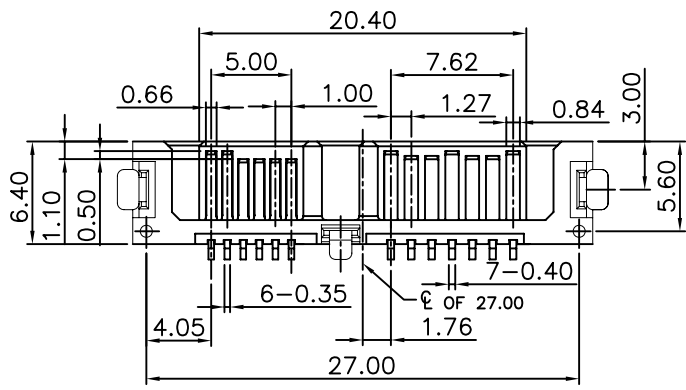
HOUSING:SEE ORDER INFORMATION(UL94V-0)
 HOUSING COLOR:SEE ORDER INFORMATION
 TERMINAL : BRASS
 TERMINAL PLATING: SELECTIVE Au IN CONTACT AREA, 100u"
 min. Sn IN SOLDER TAIL AREA. BOTH
 OVER 50u" min. Ni UNDER PLATED OVERALL
 PEG: BRASS
 PEG PLATING: 100u" min. Sn OVER 50u" min. Ni
 UNDER PLATED OVERALL
 PACKING:TRAY



ORDER INFORMATION
 G1212-24 ** ** * - 00
 00: 7+6P
 01: 1u" Au
 00: LCP; BLACK
 02: 15u" Au
 03: 30u" Au



RECOMMENDED P.C.BOARD HOLE LAYOUT



NOTE : 1. P.C.B. LAYOUT TOLERANCE : ±0.05mm
 2. SMT COPLANARITY TOLERANCE Max: 0.13mm

GENERAL TOLERANCE ±0.25mm GENERAL ANGLE TOLERANCE ±3°	WIESON TECHNOLOGIES CO., LTD WIESON		PART NO.: G1212-24*****-00	
	DRAWN BY	ZXH(WSC)	DRAWING NO.	G1212-24*****-00
	CHECKED BY	KEVIN	DRAWING SIZE	A4
	APPROVED BY	JERRY	UNIT	mm
	SORTING NO.	CA0089(WSC)	PAGE	1 OF 1

REFERENCE

[ARTICLE:044033 V4]