

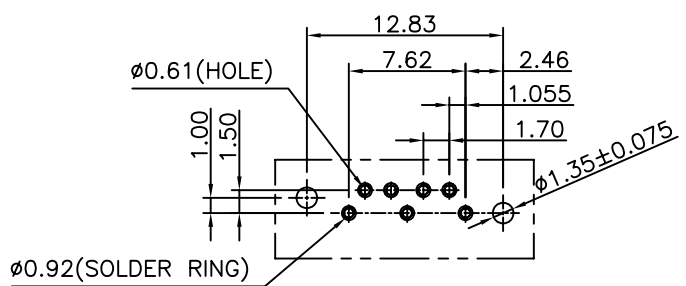
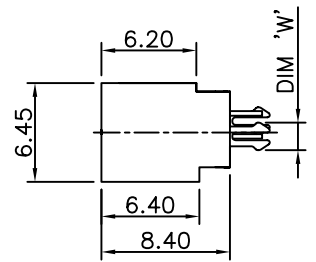
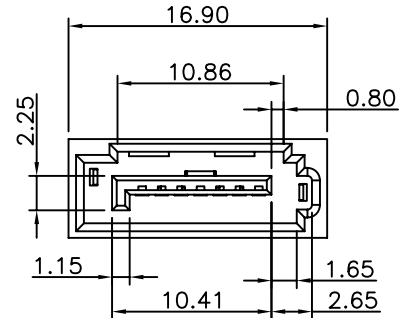
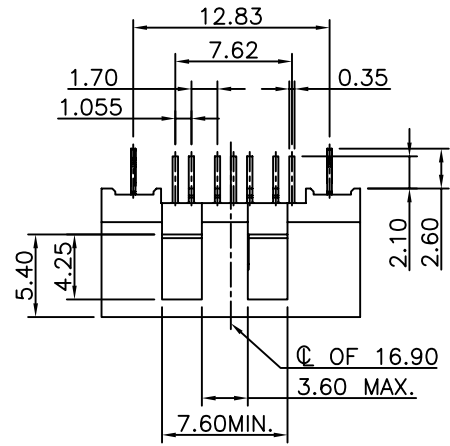
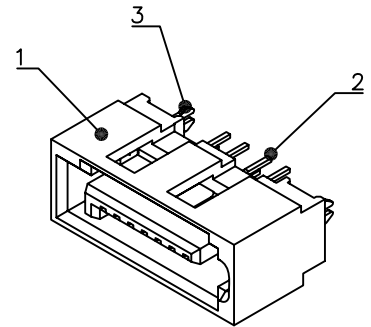
RoHS Compliant

REV	DATE	DESCRIPTION	ECN NO.	NAME
A	10.12.21	NEW RELEASE		DMH

1212-SERIES SHROUDED SATA 3.0 VERTICAL TYPE

- NOTE:
- 1.MATERIAL:
 - HOUSING: HIGH TEMPERATURE THERMOPLASTIC(UL94V-0).(SEE ORDER INFORMATION)
 - TERMINAL: COPPER ALLOY,T=0.3±0.01mm.
 - BOARD LOCK: COPPER ALLOY,T=0.3±0.01mm.
 - 2.PLATING:
 - TERMINAL: Au PLATED ON CONTACT AREA(SEE ORDER INFORMATION),
Sn PLATED ON SOLDER TAIL AREA, BOTH OVER
Ni UNDERPLATED OVERALL.
 - BOARD LOCK: Sn PLATED OVERALL, BOTH OVER
Ni UNDERPLATED OVERALL.
 - 3.PACKING: TRAY
 - 4.ORDER INFORMATION: G1212-60 ** ** *-00 — TERMINAL PLATING

- HOUSING MATERIAL
 - 00: LCP, BLACK
 - 01: NY6T, BLACK
 - 02: NY6T, BLUE
 - 03: NY6T, YELLOW
 - 04: NY6T, RED
 - 05: NY6T, GRAY
 - 06: NY9T, BLACK
 - 07: NY9T, WHITE
 - 08: NY9T, BLUE
- BOARD LOCK SPEC
 - 01: W=1.8
 - 02: W=1.6
- TERMINAL PLATING
 - 01: 1u" Au
 - 02: 15u" Au
 - 03: 30u" Au



RECOMMENDED PCB LAYOUT(TOP VIEW)
PCB LAYOUT TOLERANCE: ±0.05mm

GENERAL TOLERANCE		WIESON TECHNOLOGIES CO., LTD		PART NO.: G1212-60*****-00	
X.X = ±0.20		DRAWN BY JIN (WST)		DRAWING NO. G1212-60*****-00	
X.XX = ±0.10		CHECKED BY JACK		DRAWING SIZE 2 : 1 A4	
X.X' = ±3'		APPROVED BY JACK		UNIT mm	
⊕		SORTING NO. WSC		PAGE 1 OF 1	

NO.	PART NAME
1	HOUSING
2	TERMINAL
3	BOARD LOCK

已發行