

RoHS Compliant

G1212 SERIES SATA 7+15PIN DIP YTPPE

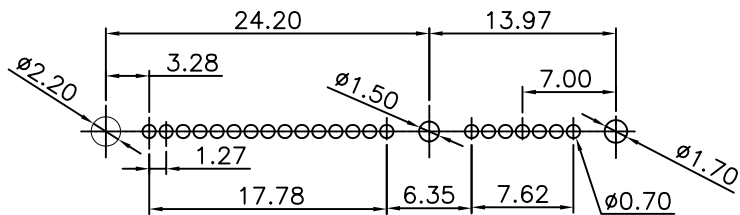
REV	DATE	DESCRIPTION	ECN NO.	NAME
A	09.07.26	NEW RELEASE		ZXH

MATERIAL:

HOUSING:SEE ORDER INFORMATION(UL94V-0)
 HOUSING COLOR:SEE ORDER INFORMATION
 TERMINAL : BRASS
 TERMINAL PLATING: SELECTIVE Au IN CONTACT AREA, 100u"
 min. Sn IN SOLDER TAIL AREA. BOTH
 OVER 50u" min. Ni UNDER PLATED OVERALL
 BOARD LOCK: BRASS
 BOARD PLATING: 100u" min. Sn OVER 50u" min.
 Ni UNDER PLATED OVERALL
 PACKING: TUBE

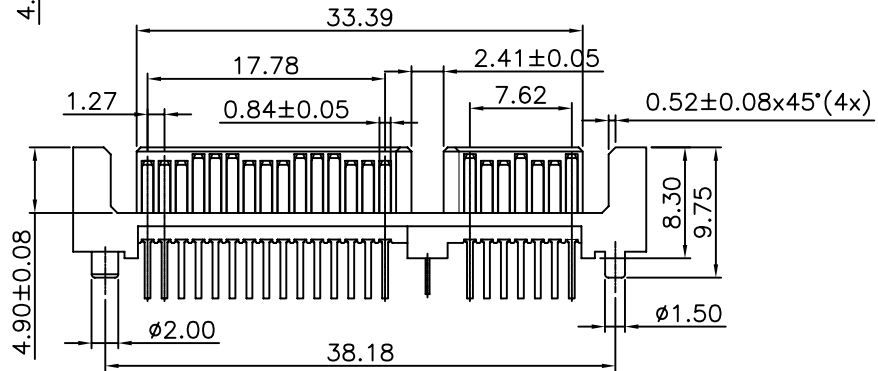
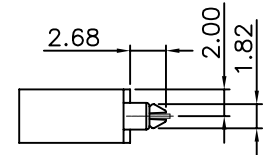
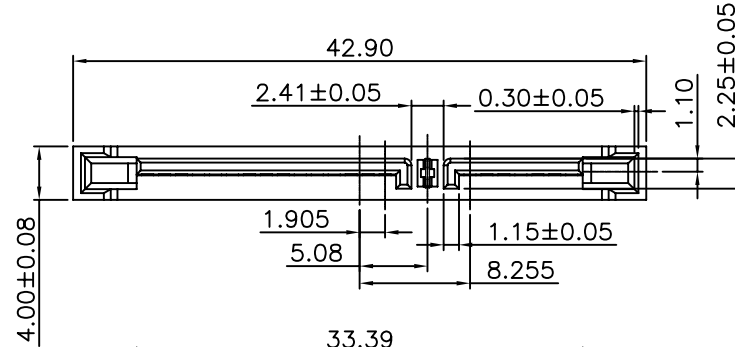
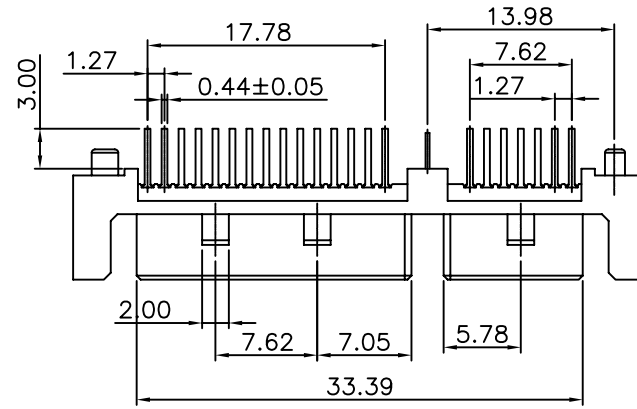
ORDER INFORMATION

G1212-77 ** ** *-00
 00: LCP BLACK
 00: 7+15 PIN
 01: 1u" Au
 02: 15u" Au



RECOMMENDED P.C.BOARD HOLE LAYOUT

NOTE:P.C.B LAYOUT TOLERANCE:±0.05mm



GENERAL TOLERANCE ±0.25mm GENERAL ANGLE TOLERANCE ±3°	WIESON TECHNOLOGIES CO., LTD WIESON		PART NO.: G1212-77*****-00	
	DRAWN BY	ZXH(WSC)	DRAWING NO. G1212-77*****-00	
	CHECKED BY	KEVIN	DRAWING SIZE	
	APPROVED BY	JERRY	UNIT	
⊕	SORTING NO.	CA0089(WSC)	PAGE	1 OF 1

ISSUED