

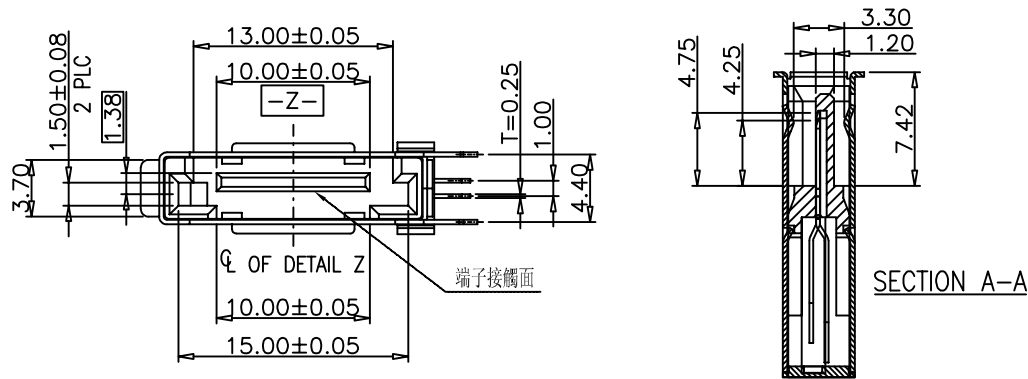
REV	DATE	DESCRIPTION	NAME
01	10.12.31	NEW RELEASE	ZYUAN

RoHS Compliant

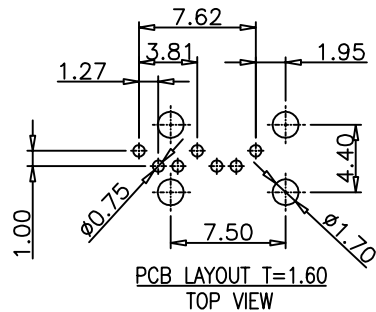
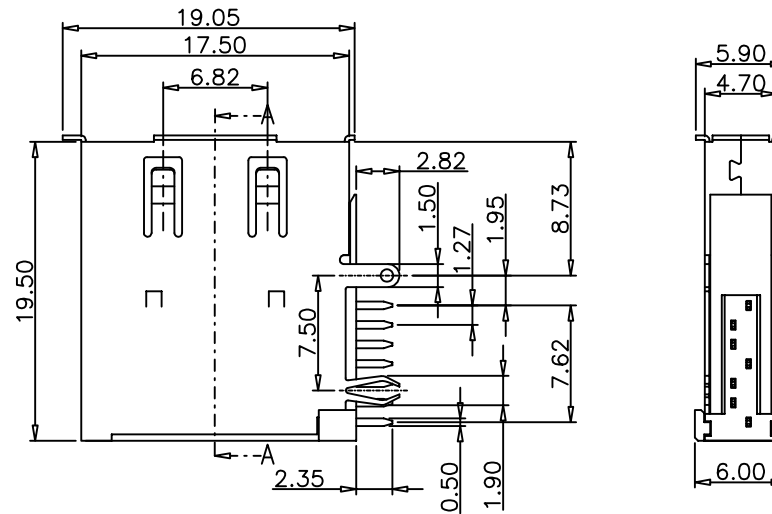
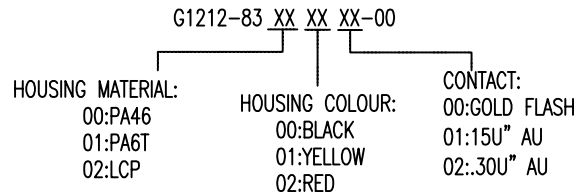
ESATA FLANK 90° DIP TYPE MALE

NOTES:

- 1.MATERIAL:
 HOUSING:SEE ORDER INFORMATION UL94 V-0
 COLOR:SEE ORDER INFORMATION
 CONTACT:BRASS
 SHELL:BRASS
 2.FINISH:
 CONTACT:SELECTION GOLD PLATING ON CONTACT AREA
 100u" MIN.MATTE TIN PLATING ON SOLDER TAILS
 50u" MIN.NICKEL UNDERPLATING OVER ALL
 SHELL:50u"MIN.NICKEL UNDERPLATING OVER ALL



Ordering Information:



GENERAL TOLERANCE ±0.25mm GENERAL ANGLE TOLERANCE ±3°	WIESON TECHNOLOGIES CO., LTD DRAWN BY ZYUAN(WSC) CHECKED BY KEVIN APPROVED BY JERRY	PART NO.: G1212-83*****-00	
		DRAWING NO.	G1212-83*****-00
	SORTING NO. CA0089(WSC)	DRAWING SIZE	A4
		UNIT	mm
		PAGE	1 OF 1

REFERENCE