

**RoHS Compliant**

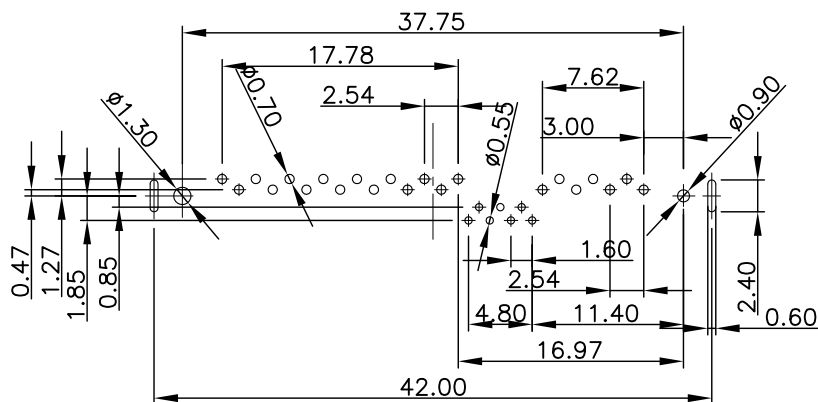
1213 SERIES SAS 29P FEMALE DIP TYPE

REV	DATE	DESCRIPTION	ECN NO.	NAME
A	14.11.28	PROPOSAL		LINJYU

**MATERIAL**

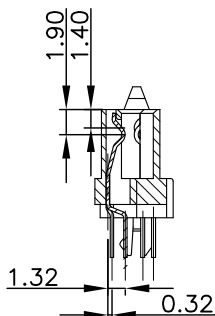
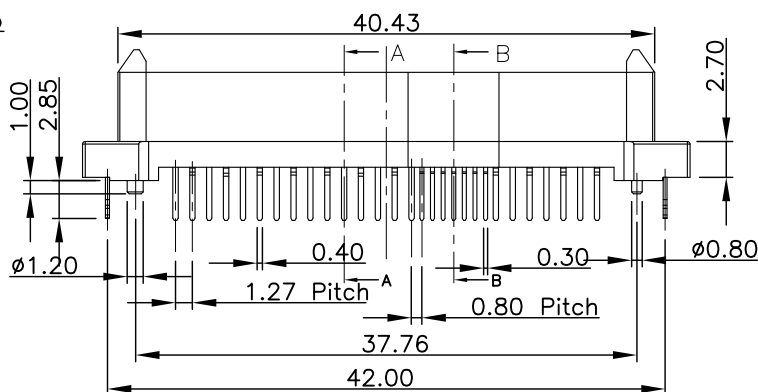
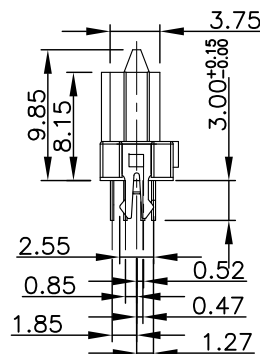
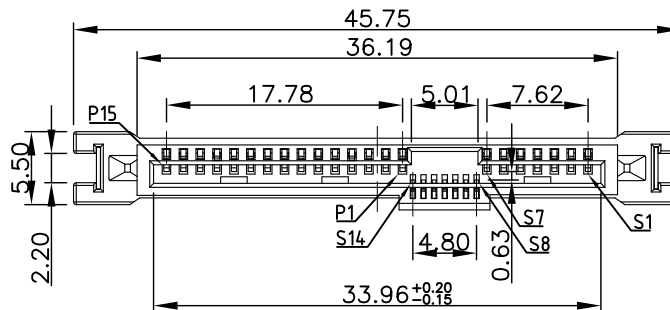
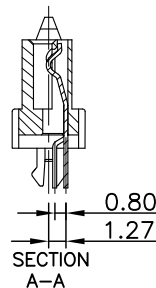
HOUSING: SEE ORDER INFORMATION (UL94V-0)  
 HOUSING COLOR: SEE ORDER INFORMATION  
 TERMINAL: PHOSPHOR BRONZE  
 TERMINAL PLATING: SELECTION Au IN CONTACT AREA, 80u" min. Sn IN SOLDER TAIL AREA, BOTH OVER 30u" min. Ni UNDERPLATE OVERALL

G1213-03 \*\* \*\* \*-00  
 HOUSING MATERIAL: 00:LCP  
 HOUSING COLOR: 00:BLACK  
 TERMINAL PLATING:  
 01:15u" Au  
 02:30u" Au



RECOMMENDED P.C.BOARD

NOTE: P.C.B LAYOUT TOLERANCE: ±0.05mm



SECTION B-B

GENERAL TOLERANCE ± 0.25mm	WIESON TECHNOLOGIES CO., LTD		PART NO.: G1213-03XXXXXX-00	
	WIESON			
GENERAL ANGLE TOLERANCE ± 3°	DRAWN BY	LINJYU(WSC)	DRAWING NO.	G1213-03XXXXXX-00
	CHECKED BY	JINKENS	DRAWING SIZE	A4
	APPROVED BY	JINKENS	UNIT	mm
	SORTING NO.	CB0169(WSC)	PAGE	1 OF 1

**PROPOSAL**

[ARTICLE:044033 V6]