

RoHS Compliant

REV	DATE	DESCRIPTION	ECN NO.	NAME
A	15.04.09	PROPOSAL		LINJYU

MATERIAL:

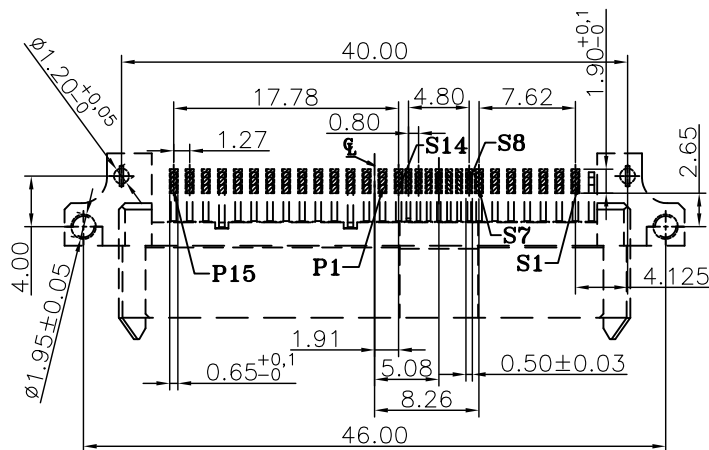
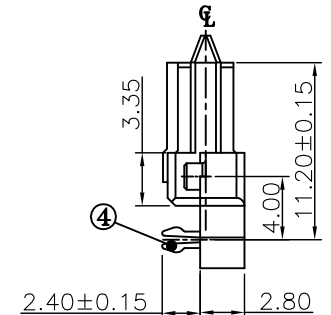
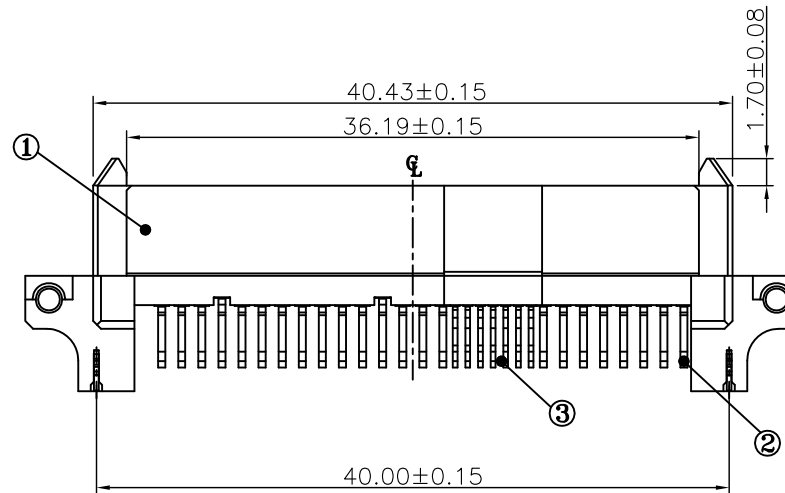
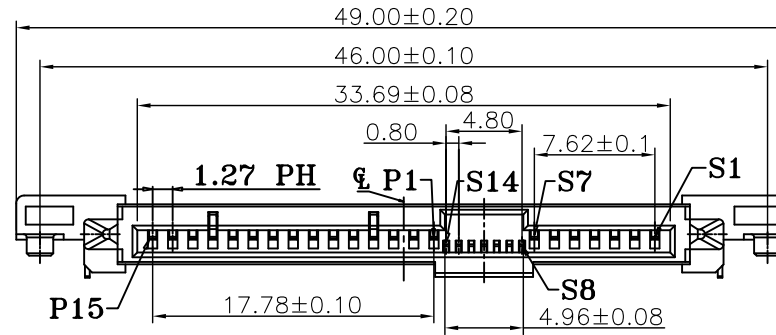
HOUSING: SEE ORDER INFORMATION (UL94V-0)
 HOUSING COLOR: SEE ORDER INFORMATION
 TERMINAL: SEE ORDER INFORMATION
 TERMINAL PLATING: SELECTIVE Au IN CONTACT AREA, 100u"min
 Sn IN SOLDER TAIL AREA, BOTH OVER
 30u" min Ni UNDER PLATED OVERALL

ORDER INFORMATION
 G1213-04 ** ** *-00

HOUSING MATERIAL&COLOR
 00: LCP; BLACK

TERMINAL PLATING
 01: 15u" Au
 02: 30u" Au

TERMINAL
 00: BRASS



RECOMMENDED P.C.BOARD

NOTE: P.C.B LAYOUT TOLERANCE: ±0.05mm

GENERAL TOLERANCE ± 0.25mm	WIESON TECHNOLOGIES CO., LTD		PART NO.: G1213-04XXXXXX-00	
	DRAWN BY	LINJYU(WSC)	DRAWING NO.	G1213-04XXXXXX-00
GENERAL ANGLE TOLERANCE ± 3°	CHECKED BY	JINKENS	DRAWING SIZE	A4
	APPROVED BY	JINKENS	UNIT	mm
⊕	SORTING NO.	CB0169(WSC)	PAGE	1 OF 1

PROPOSAL

[ARTICLE:044033 V6]