

**RoHS Compliant**

REV	DATE	DESCRIPTION	ECN NO.	NAME
A	15.02.24	PROPOSAL		HSIEN

# 1213-SERIES SFF-8639 PLUG CONNECTOR

**NOTE**

**1.MATERIAL**

HOUSING : HIGE THERMOPLASTIC, UL94V-0,BLACK.  
 CAP : HIGE THERMOPLASTIC, UL94V-0,BLACK.  
 TERMINAL : COPPER ALLOY,  
 BOARD LOCK : COPPER ALLOY,

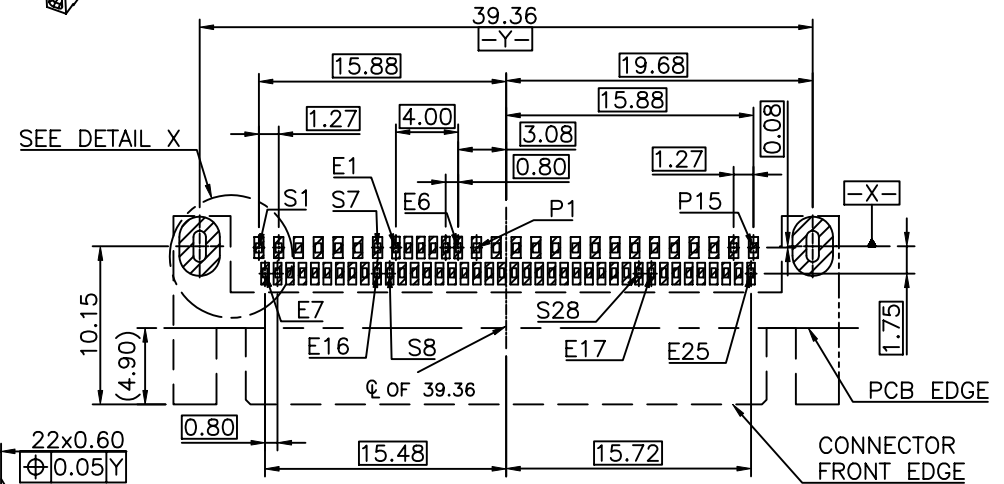
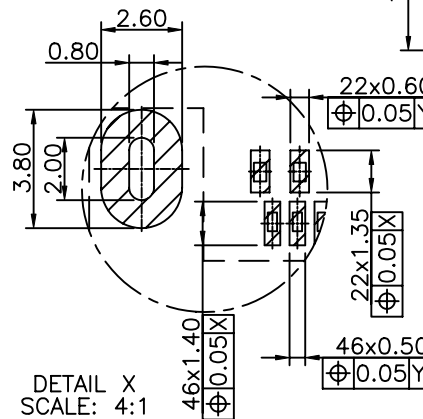
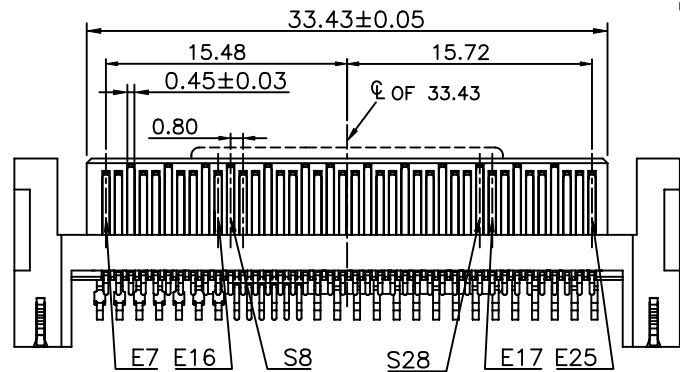
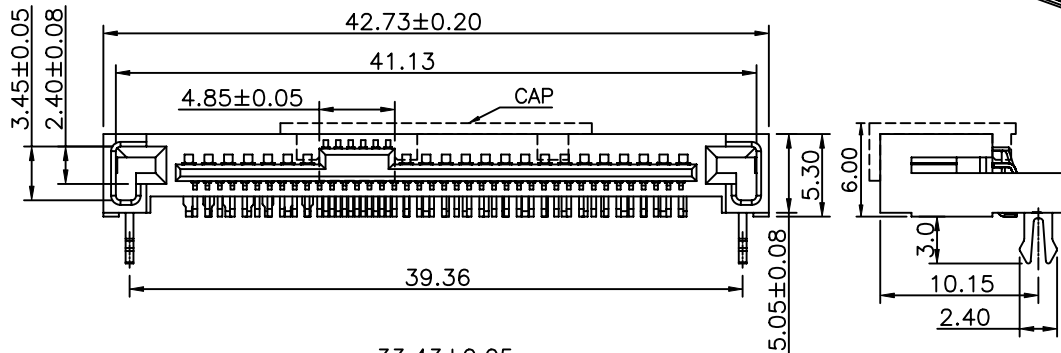
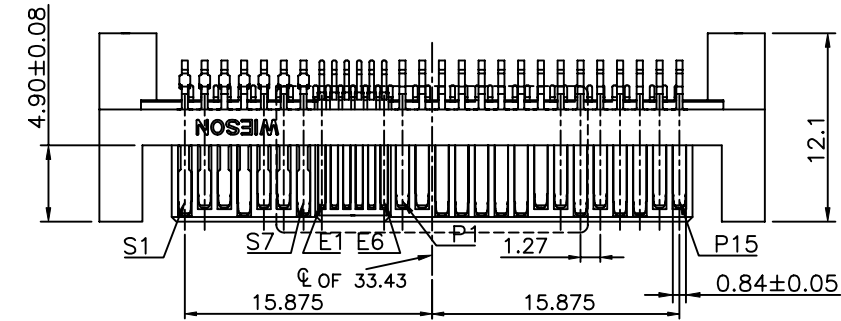
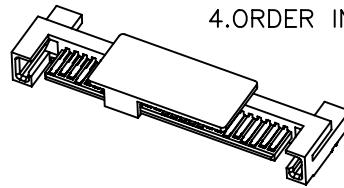
**2.PLATING**

TERMINAL : SELECTIVE Au ON CONTACT AREA,(SEE ORDER INFORMATION)  
 100u" MIN. Sn PLATED ON SOLDER TAIL AREA,  
 BOTH OVER 50u" MIN. Ni UNDERPLATED OVERALL.  
 BOARD LOCK : 100u" MIN.Sn PLATED ON SOLDER TAIL AREA,  
 BOTH OVER 50u" MIN. Ni UNDERPLATED OVERALL.

**3.PACKING : T&R**

**4.ORDER INFORMATION : G1213-610000 XX -00**

- 01 3u" Au
- 02 5u" Au
- 03 15u" Au
- 04 30u" Au



RECOMMENDED PCB LAYOUT (TOP VIEW)  
 PCB THICKNESS: 1.6mm  
 TOLERANCE: ±0.05mm

GENERAL TOLERANCE		WIESON TECHNOLOGIES CO., LTD		PART NO.:	
X.X	±0.20	DRAWN BY	HSIEN	G1213-610000XX-00	
X.XX	±0.15	CHECKED BY	FRED LEE	DRAWING NO.	G1213-610000XX-00
X.X'	±3'	APPROVED BY	FRED LEE	DRAWING SIZE	2 : 1   A4
⊕		SORTING NO.	WST	UNIT	mm
				PAGE	1 OF 1