

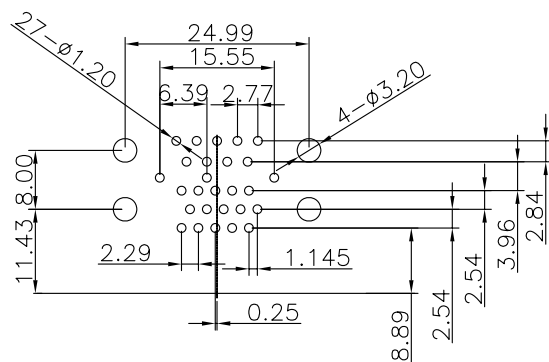
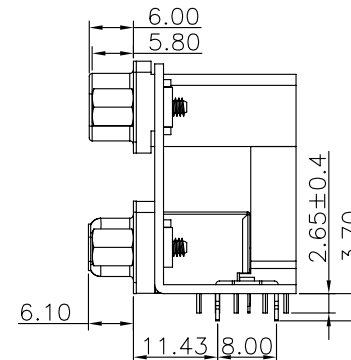
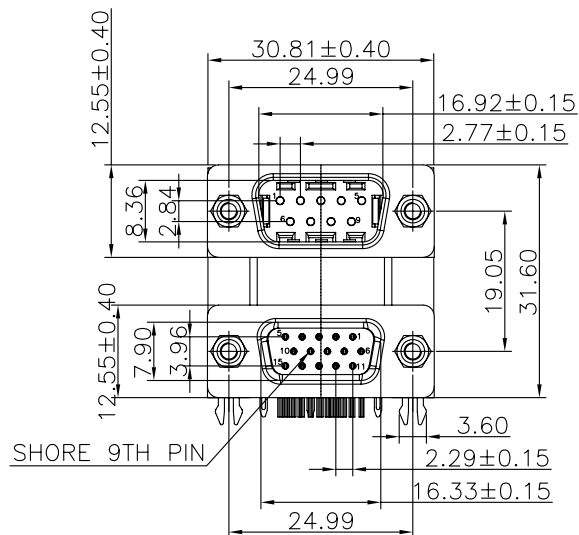
RoHS Compliant

3140 SERIES 9PINS D-SUB MALE+15PINS D-SUB FEMALE(SHORE 9TH PIN) CONNECTOR, DIP TYPE

REV	DATE	DESCRIPTION	ECN NO.	NAME
A	11.12.05	NEW RELEASE		LXS

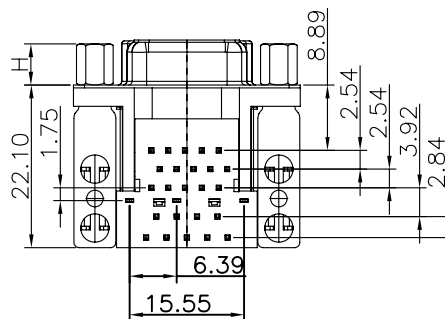
MATERIAL

HOUSING: SEE ORDER INFORMATION
 HOUSING COLOR: SEE ORDER INFORMATION
 TERMINAL: BRASS
 TERMINAL PLATING: SELECTIVE Au IN CONTACT AREA, 100u" min. Sn IN SOLDER TAIL AREA, BOTH OVER 50u" min. Ni UNDERPLATED OVERALL
 SHELL: SPCC
 SHELL PLATING: 50u" min. Ni OVER 50u" min. Cu UNDERPLATED OVERALL
 BRACKET: SUS
 HARPOON: BRASS
 HARPOON: 80u" min. Sn OVER 30u" min. Ni UNDERPLATED OVERALL
 RIVET: C3601BD
 RIVET PLATING: 50u"min. Ni OVER 50u" min. Cu UNDERPLATED OVERALL
 SCREW: C3601BD
 SCREW PLATING: 50u" min. Ni OVER 50u" min. Cu UNDERPLATED OVERALL
 EMI COVER: Al ALLOY



RECOMMENDED P.C.BOARD HOLE LAYOUT

NOTE: P.C.B LAYOUT TOLERANCE: ±0.05mm



ORDER INFORMATION

G3140-45 XX XX XX -00

- XX: TERMINAL PLATING
- 00: 20u" Au
- 00: WITHOUT SCREW
- 01: LOCK SCREW H=5.8mm
- 00: COM 9PINS; GREEN PBT;
- VGA 15 PINS; BLUE PBT.

GENERAL TOLERANCE ± 0.25mm	WIESON TECHNOLOGIES CO., LTD		PART NO.: G3140-45XXXXXX-00	
	DRAWN BY	LXS(WSC)	DRAWING NO.	G3140-45XXXXXX-00
GENERAL ANGLE TOLERANCE ± 3°	CHECKED BY	JINKENS	DRAWING SIZE	A4
	APPROVED BY	JINKENS	UNIT	mm
⊕	SORTING NO.	CA0009(WSC)	PAGE	1 OF 1

ISSUED

[ARTICLE:044033 V6]