

**HF Compliant**

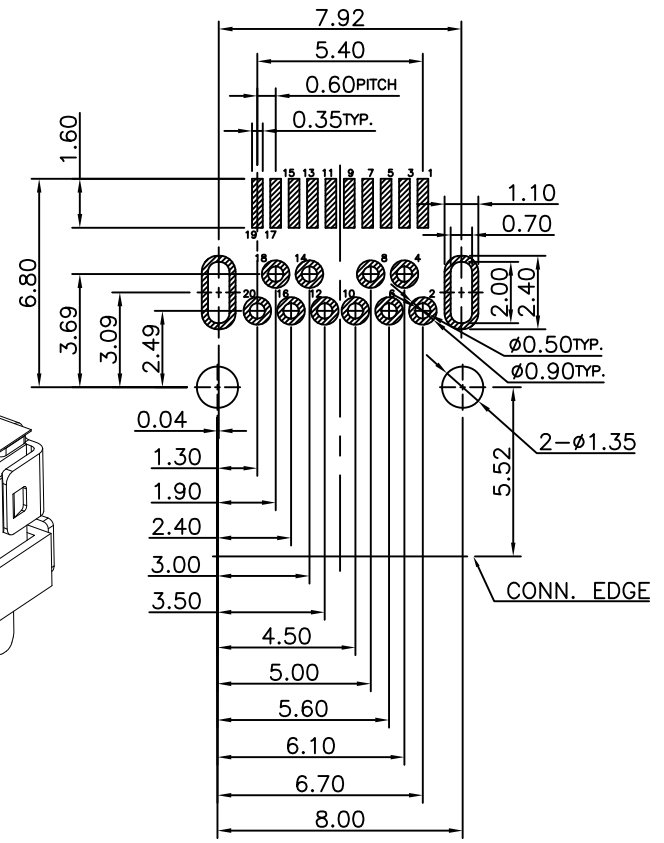
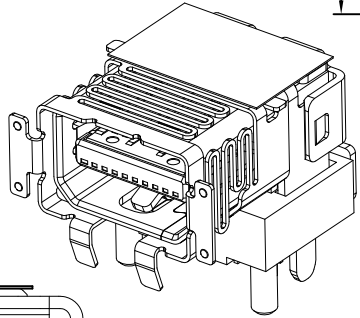
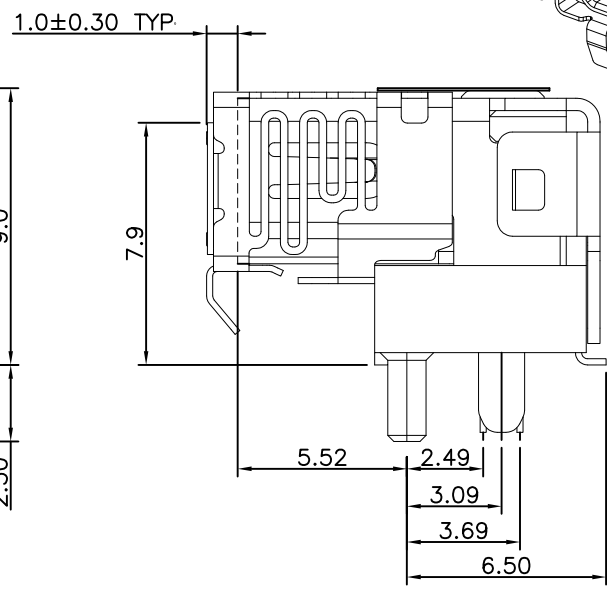
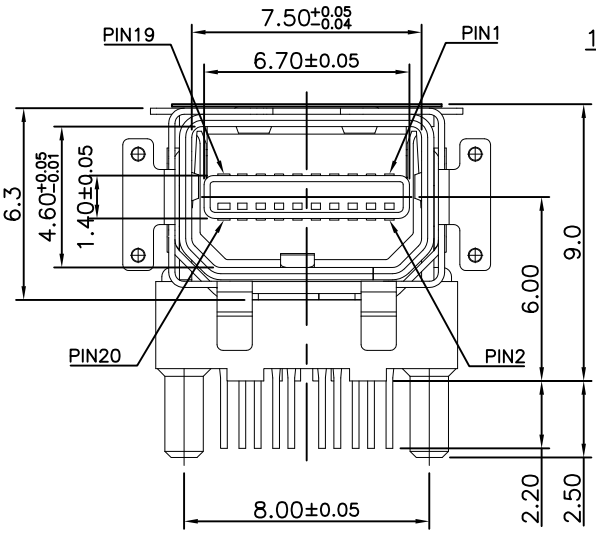
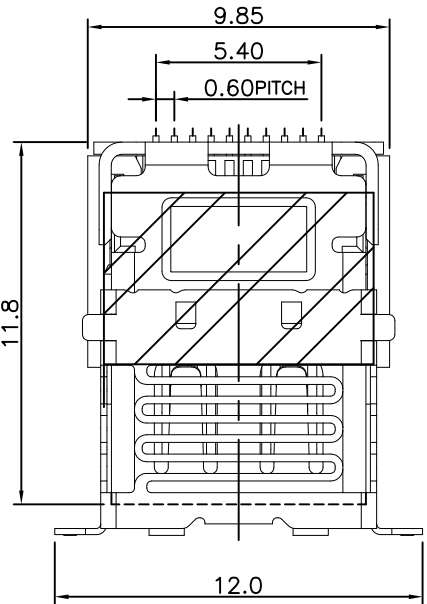
**3167 SERIES MINI DISPLAYPORT HIGH RISE SPRING TYPE**

REV	DATE	DESCRIPTION	ECN NO.	NAME
A	12.08.30	NEW RELEASE		SAM HO
B	13.01.28	NEW RELEASE		King

**NOTES:**

- 1.MATERIAL :  
 TERMINAL : COPPER ALLOY ,  
 SHELL : STAINLESS STEEL ,  
 HOUSING : THERMOPLASTIC(UL94V-0).  
 BACK HOUSING : THERMOPLASTIC(UL94V-0).  
 SPRING : STAINLESS STEEL .
- 2.PLATING :  
 TERMINAL : SELECTIVE Au PLATED ON CONTACT AREA,  
 (ORDER INFORMATION), 100u" Sn PLATED ON SOLDER  
 TAIL AREA, BOTH OVER 50u" Ni UNDERPLATED OVERALL.  
 SHELL : SEE ORDER INFORMATION.
- 3.PACKING : TAPE&REEL.
- 4.ORDER INFORMATION : G3167-18 XX XX XX -H0

- ① ② ③
- ① — 00 : SHELL 100u" SOLDERABLE Ni OVERALL.  
 01 : SHELL GOLD FLASH OVERALL.
  - ② — 00 : W/O EMI SPRING  
 01 : W/ EMI SPRING
  - ③ — 00 : 3u" Au  
 01 : 15u" Au  
 02 : 30u" Au



RECOMMENDED PCB LAYOUT (TOP VIEW)  
TOLERANCE: ±0.05mm

GENERAL TOLERANCE X.X = ±0.20 X.XX = ±0.15 X.X* = ±3*	WIESON TECHNOLOGIES CO., LTD WIESON		PART NO.: G3167-18XXXXXX-H0	
	DRAWN BY	SAM HO (WST)	DRAWING NO. G3167-18XXXXXX-H0	
	CHECKED BY	SKY	DRAWING SIZE 4 : 1 A4	
	APPROVED BY	JIM	UNIT	mm
SORTING NO.		WSC	PAGE	1 OF 1

ISSUED

[ARTICLE:044033 V6]