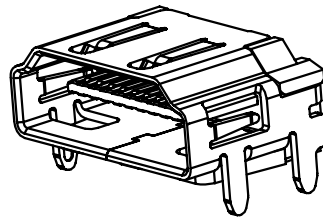
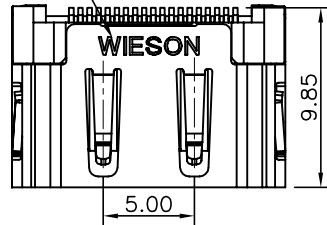


REV	DATE	DESCRIPTION	ECN NO.	NAME
A	07.08.03	NEW RELEASE		KEITH

3168 SERIES HDMI FEMALE R/A REVERS SLIM TYPE

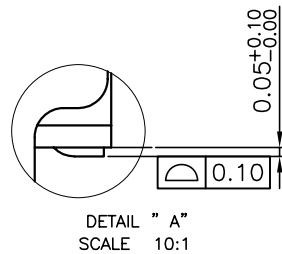
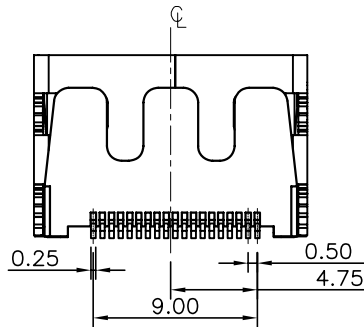
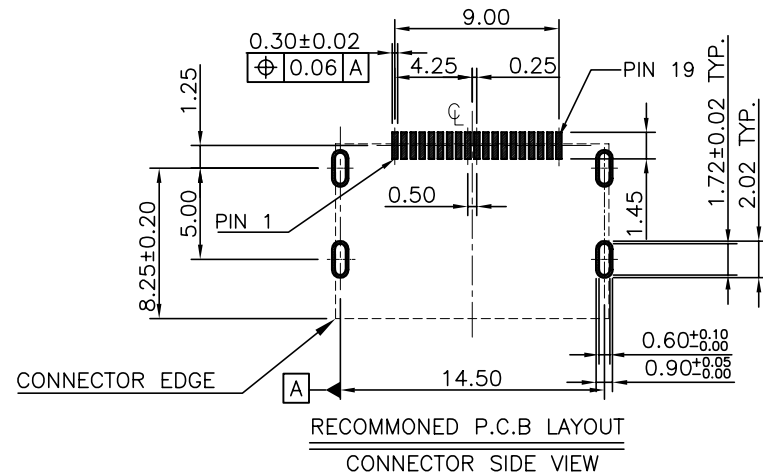
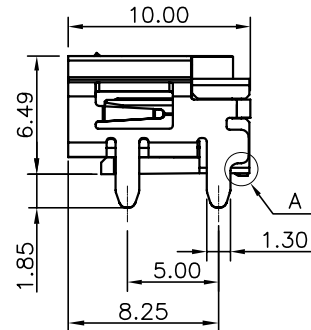
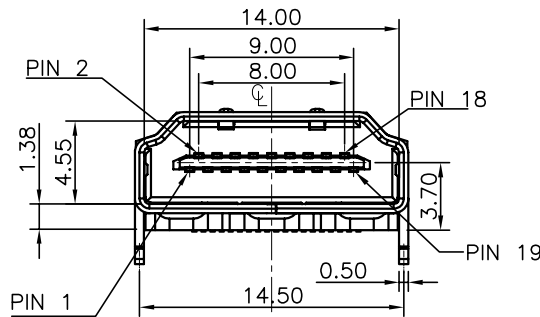
A
B
C
D
E

LOGO OPTIONAL



NOTE

- MATERIAL :
HOUSING :HIGH TEMPERATURE PLASTIC (UL94V-0) COLOR:BLACK
TERMINAL : COPPER ALLOY t=0.20±0.02mm.
SHELL : COPPER ALLOY,t=0.50±0.02mm.
- PLATING :
TERMINAL :SELECTIVE Au ON CONTACT AREA (SEE ORDER INFORMATION);
100u" MIN. Sn ON SOLDER TAIL AREA,
BOTH OVER 50u" MIN. Ni UNDERPLATED OVERALL.
SHELL : 100u"Min. WELDABLE Ni OVERALL
- ORDER INFORMATION : G3168-19 00 ** ** -00
00:W/O LOGO 01:1u" Au;
01:W/ LOGO 02:15u" Au;
03:30u" Au;



NOTES:

- P.C.B THICKNESS:1.20±0.05mm.
- TOLERANCE UNSPECIFIED DIMENSIONS ARE ±0.05mm.

GENERAL TOLERANCE	WIESON TECHNOLOGIES CO., LTD	PART NO.: G3168-1900****-00	
X.X = ±0.20	DRAWN BY KEITH(WSC)	DRAWING NO.	G3168-1900XXXX-00
X.XX = ±0.10	CHECKED BY KEVIN	DRAWING SIZE	2.5:1 A4
X.X* = ±3°	APPROVED BY JERRY	UNIT	mm
⊙	SORTING NO. WSC	PAGE	1 OF 1

ISSUED

[ARTICLE:044033 V5]