

3168 SERIES HDMI FEMALE R/A REVERS SMT LONG TYPE

REV	DATE	DESCRIPTION	ECN NO.	NAME
A	07.11.08	NEW RELEASE		KEITH

NOTE :1.MATERIAL :
 TERMINAL :COPPER ALLOY T=0.2±0.01mm.
 SHELL : COPPER ALLOY T=0.5±0.02mm.
 HOUSING : HIGH TEMPERATURE,BLACK.

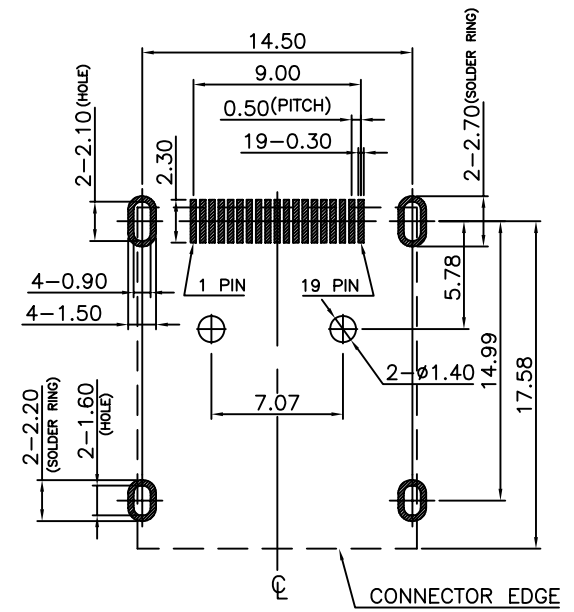
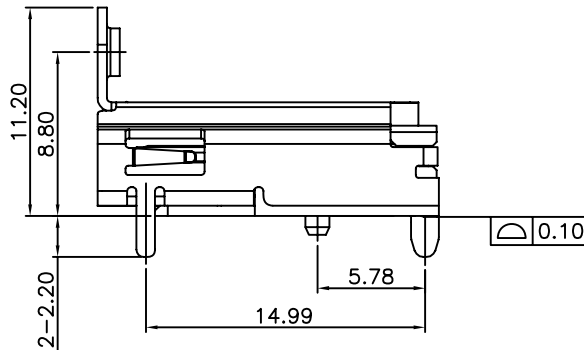
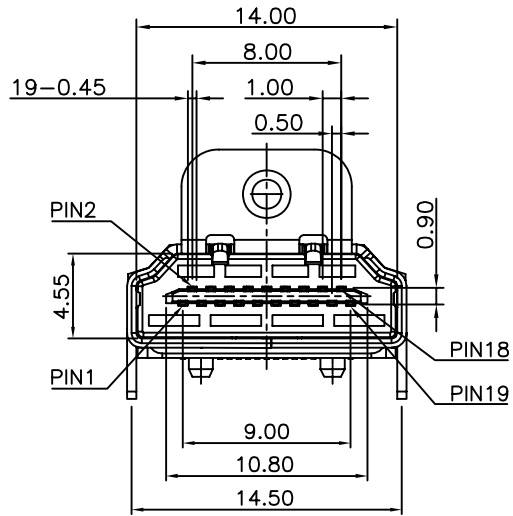
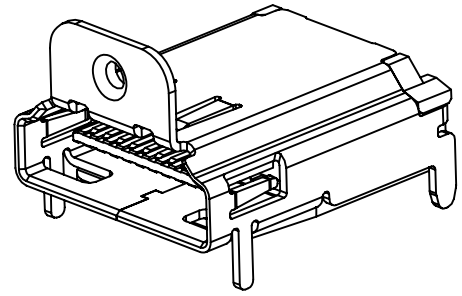
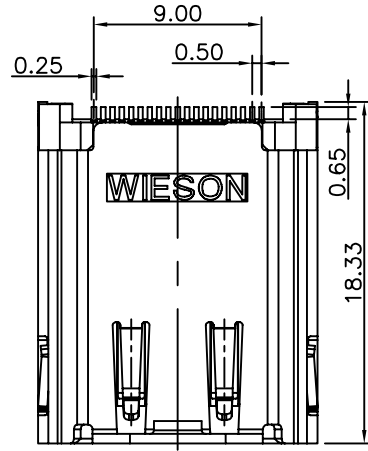
2.PLATING :
 TERMINAL : Au PLATED ON CONTACT AREA (SEE ORDER INFORMATION),
 100u" Sn PLATED ON SOLDER TAIL AREA,
 BOTH OVER 50u" MIN. Ni UNDERPLATED OVERALL.

SHELL : 40~100u" SOLDERABLE Ni OVERALL.

3.ORDER INFORMATION : G3168-22 ** ** ** -00
 ① ② ③

- ① 00 : W/O SCREW; W/O LOGO
- 01 : W/O SCREW; W/ LOGO
- 02 : W/ SCREW; W/O LOGO
- 03 : W/ SCREW ; W/ LOGO
- ② 00 : W/O POST;
- 01 : W/ POST.
- ③ 01 : Au FLASH;
- 02 : 3u"Au;
- 03 : 15u"Au;
- 04 : 30u"Au.

A
B
C
D
E



RECOMMENDED PCB LAYOUT (TOP VIEW)
 TOLERANCE: ±0.05mm

GENERAL TOLERANCE X.X = ±0.20 X.XX = ±0.10 X.X* = ±3°	WIESON TECHNOLOGIES CO., LTD <small>WIESON</small>		PART NO.: G3168-22*****-00	
	DRAWN BY	KEITH	DRAWING NO.	G3168-22XXXXXX-00
	CHECKED BY	KEVIN	DRAWING SIZE	2.5:1 A4
	APPROVED BY	JERRY	UNIT	mm
	SORTING NO. WSC	PAGE 1 OF 1		

ISSUED

[ARTICLE:044033 V5]