

HF Compliant

3168 SERIES MINI HDMI FEMALE R/A HIGH RISE SMT TYPE

REV	DATE	DESCRIPTION	ECN NO.	NAME
A	10.05.26	NEW RELEASE		SAM HO

NOTES: 1.MATERIAL :
 TERMINAL : COPPER ALLOY ,
 SHELL : COPPER ALLOY ,
 SPRING : STAINLESS STEEL ,
 HOUSING : THERMOPLASTIC(UL94V-0).

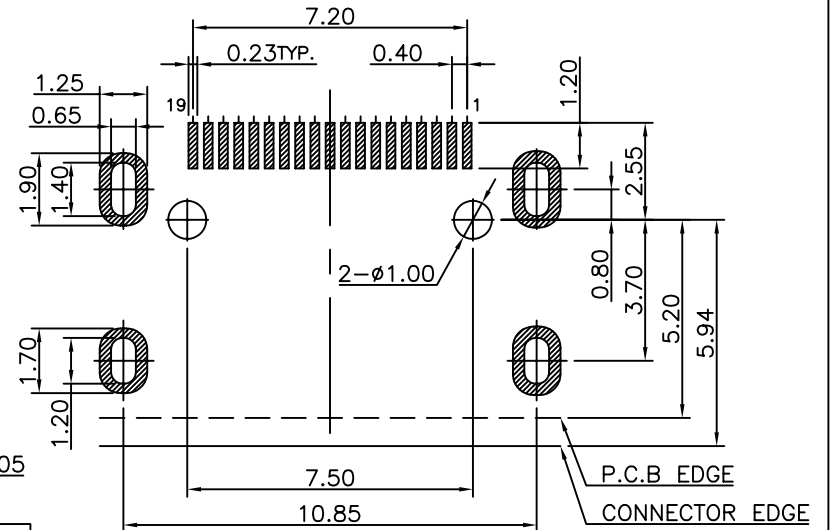
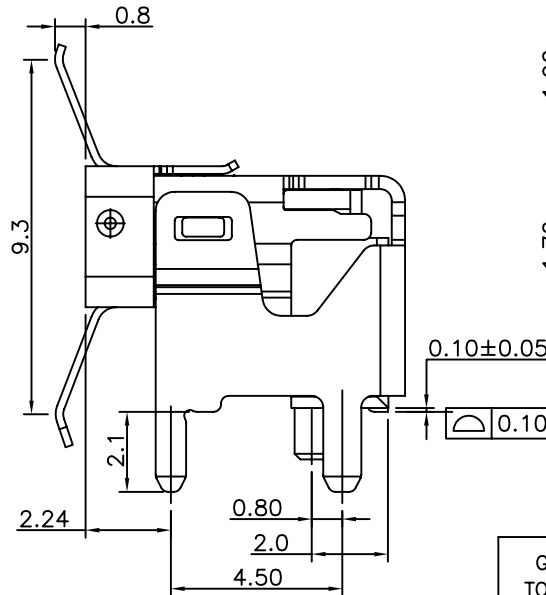
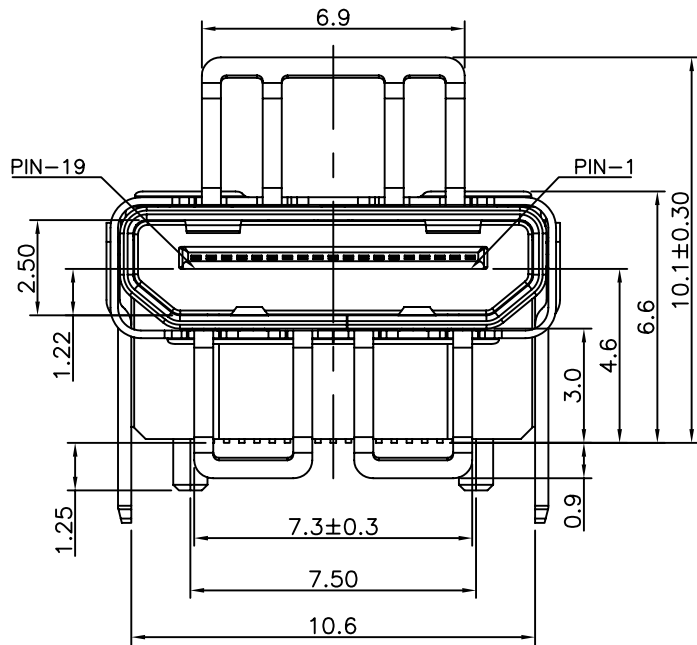
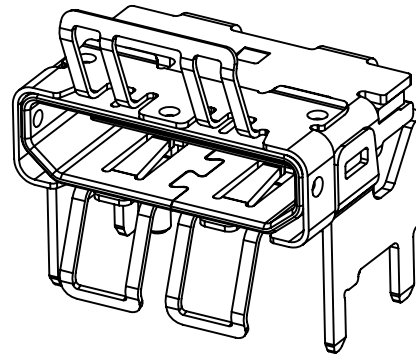
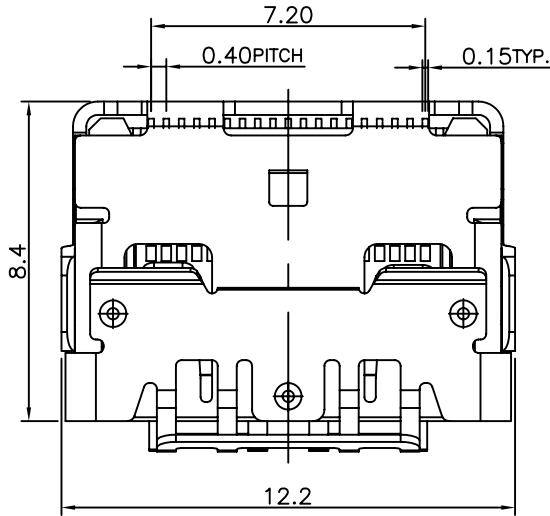
2.PLATING :
 TERMINAL : Au PLATED ON CONTACT AREA(ORDER INFORMATION),
 Sn PLATED ON SOLDER TAIL AREA.
 SHELL : SOLDERABLE Ni OVERALL.

3.ORDER INFORMATION : G3168-27 00 ** ** -H0.
 ① ②

- ① { 00 : W/O WIESON LOGO
 01 : W/ WIESON LOGO
- ② { 01 : Au FLASH ON CONTACT AREA
 02 : 3u" Au ON CONTACT AREA
 03 : 15u" Au ON CONTACT AREA
 04 : 30u" Au ON CONTACT AREA

4.PACKING : TAPE&REEL.

A
B
C
D
E



RECOMMENDED PCB LAYOUT (TOP VIEW)

TOLERANCE: ±0.05mm

GENERAL TOLERANCE X.X = ±0.20 X.XX = ±0.10 X.X' = ±3'	WIESON TECHNOLOGIES CO., LTD		PART NO. G3168-2700****-H0	
	DRAWING BY	SAM HO (WST)	DRAWING NO.	G3168Z-2700XXX-H0
	CHECKED BY	JACK	DRAWING SIZE	5 : 1 A4
	APPROVED BY	KEVIN	UNIT	mm
	SORTING NO.	WSC	PAGE	1 OF 1

ISSUED