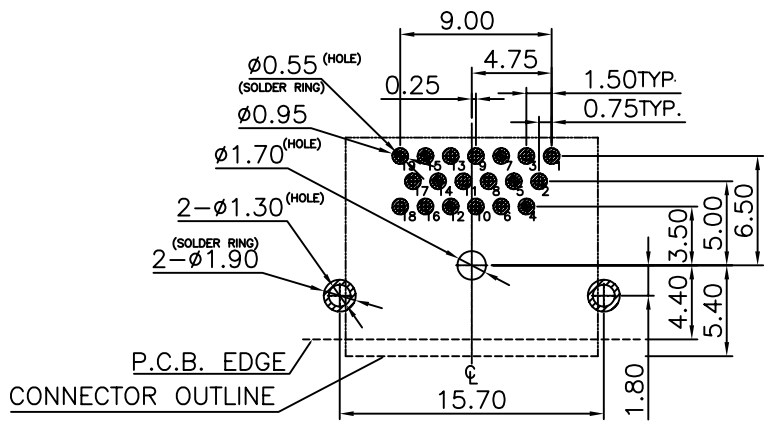
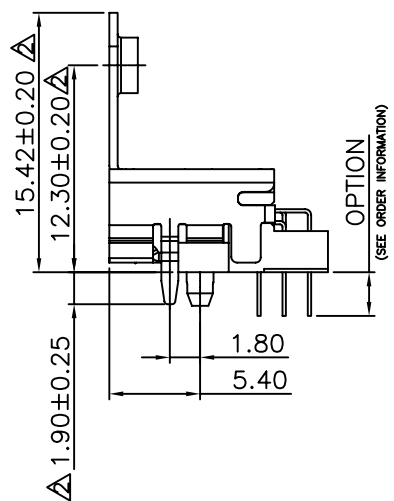
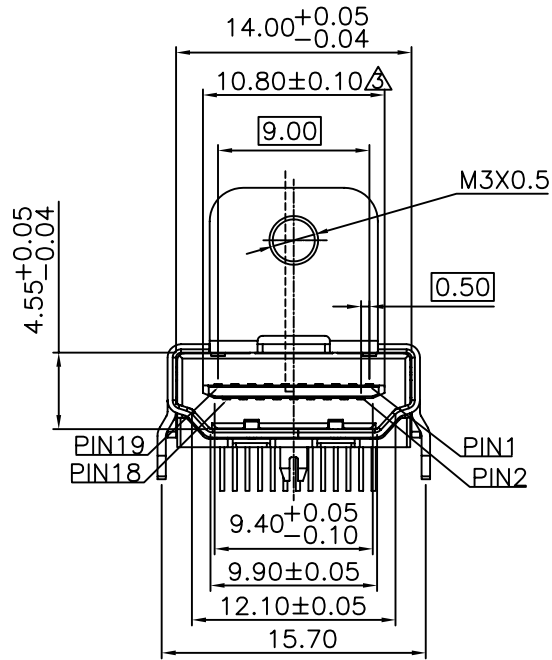
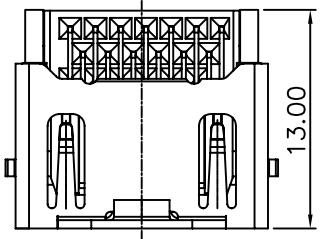


HF Compliant

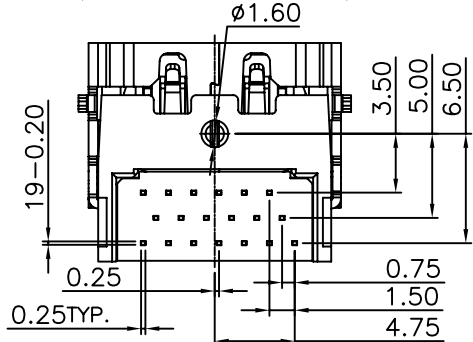
G3168 SERIES HDMI FEMALE RIGHT/ANGLE DIP TYPE-2

REV	DATE	DESCRIPTION	ECN NO.	NAME
A	08.12.30	NEW RELEASE		you
B	09.05.13	△MODIFY DISGN TYPE	CECR09004290	LIZM
C	10.04.06	△MODIFY TOLERANCE	CECR10005094	ANDY
D	10.04.21	△MODIFY TOLERANCE	CECR10005328	ANDY

A
B
C
D
E



RECOMMENDED PCB LAYOUT (TOP VIEW)
TOLERANCE: ±0.05mm



GENERAL TOLERANCE X.X = ±0.20 X.XX = ±0.10 X.X' = ±3'	WIESON TECHNOLOGIES CO., LTD WIESON		PART NO.: G3168-29*****-H0	
	DRAWN BY	hehong	DRAWING NO.	G3168-29XXXXXX-H0
	CHECKED BY	JACK	DRAWING SIZE	A4
	APPROVED BY	KEVIN	UNIT	mm
	SORTING NO.	WSC	PAGE	1 OF 2

ISSUED

[ARTICLE:044035 V4]

HF Compliant

G3168 SERIES HDMI FEMALE RIGHT/ANGLE DIP TYPE-2

REV	DATE	DESCRIPTION	ECN NO.	NAME
A	08.12.30	NEW RELEASE		you
B	09.5.13	△MODIFY DISIGN TYPE	CECR09004290	LIZM
C	10.04.06	△MODIFY TOLERANCE	CECR10005094	ANDY
D	10.04.21	△MODIFY TOLERANCE	CECR10005328	ANDY

NOTE:

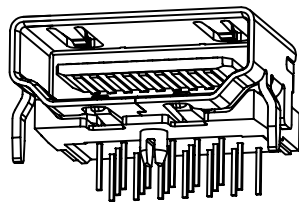
- 1.MATERIAL :
 TERMINAL : COPPER ALLOY .
 SHELL : COPPER ALLOY .
 HOUSING : HIGH TEMPERATURE PLASTIC,BLACK.
 BACK HOUSING : HIGH TEMPERATURE PLASTIC,BLACK.
- 2.PLATING :
 TERMINAL : SELECTIVE Au PLATED ON CONTACT AREA (SEE ORDER INFORMATION) Sn PLATED ON SOLDER TAIL AREA, BOTH OVER . Ni UNDERPLATED OVERALL.
 SHELL : SEE ORDER INFORMATION

△ 3.HALOGEN FREE

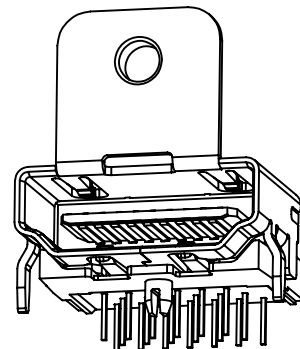
4.PACKING :SEE ORDER INFORMATION.

5.ORDER INFORMATION : G3168-29 ^{** ** *} _{① ② ③} -H0 △

- ① : W/O SCREW W/O LOGO TAPE REEL
 02 : W/ SCREW W/O LOGO TAPE REEL
 03 : W/O SCREW W/ LOGO TAPE REEL
 04 : W/ SCREW W/ LOGO TAPE REEL
 ① 05 : W/ SCREW W/LOGO TRAY
 06 : W/SCREW W/O LOGO TRAY
 07 : W/O SCREW W/O LOGO TRAY
 08 : W/O SCREW W/LOGO TRAY
- ② : 01 : TERMINAL DIP LENGTH 2.6mm.
 02 : TERMINAL DIP LENGTH 2.2mm.
- ③ : 01:3u"Au ON CONTACT ARER & SHELL PLATED 100u"Min.WELDABLE Ni OVERALL.
 02:15u"Au ON CONTACT ARER & SHELL PLATED 100u"Min.WELDABLE Ni OVERALL.
 03:30u"Au ON CONTACT ARER & SHELL PLATED 100u"Min.WELDABLE Ni OVERALL.
 11:3u"Au ON CONTACT ARER & SHELL 100u" Sn PLATED OVER 50u"Ni UNDERPLATED OVERALL.
 12:15u"Au ON CONTACT ARER & SHELL 100u" Sn PLATED OVER 50u"Ni UNDERPLATED OVERALL.
 13:30u"Au ON CONTACT ARER & SHELL 100u" Sn PLATED OVER 50u"Ni UNDERPLATED OVERALL.



G3168-2901****-H0
 G3168-2903****-H0
 G3168-2907****-H0
 G3168-2908****-H0



G3168-2902****-H0
 G3168-2904****-H0
 G3168-2905****-H0
 G3168-2906****-H0

GENERAL TOLERANCE	WIESON TECHNOLOGIES CO., LTD WIESON	PART NO.:	G3168-29*****-H0
X.X = ±0.20	DRAWN BY	hehong	DRAWING NO. G3168-29XXXXX-H0
X.XX = ±0.10	CHECKED BY	JACK	DRAWING SIZE
X.X' = ±3'	APPROVED BY	KEVIN	UNIT mm
⊕	SORTING NO.	WSC	PAGE 2 OF 2

ISSUED