

HF Compliant

REV	DATE	DESCRIPTION	ECN NO.	NAME
1.0	10.09.16	NEW RELEASE		Allen

3168 SERIES HDMI FEMALE VERTICAL 10.5H SMT TYPE

NOTE

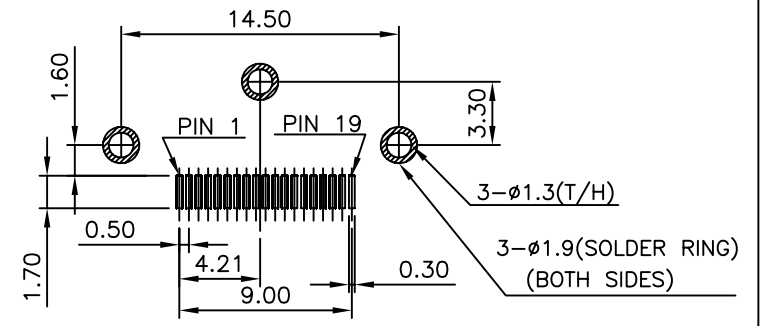
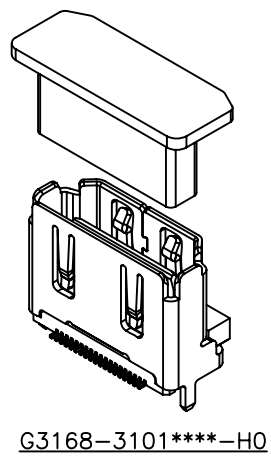
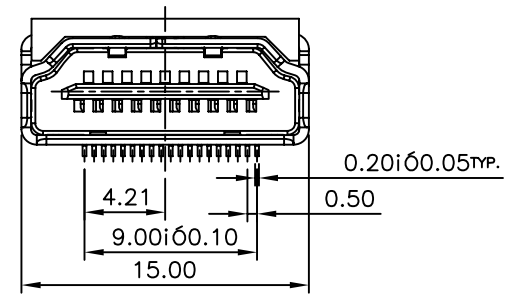
- 1.MATERIAL :
 HOUSING : THERMOPLASTIC(UL94V-0),BLACK.
 CAP : THERMOPLASTIC(UL94V-0),BLACK.
 TERMINAL : COPPER ALLOY.
 SHELL : COPPER ALLOY.
- 2.PLATED :
 TERMINAL : SELECTIVE Au PLATED ON CONTACT AREA
 (ORDER INFORMATION), 100u" Sn PLATED ON SOLDER TAIL
 AREA , BOTH OVER 50u" Ni UNDERPLATED OVERALL.
 SHELL : 30~80u" SOLDERABLE Ni OVERALL.

3.ORDER INFORMATION : G3168-31 XX XX XX -H0
 ① ② ③

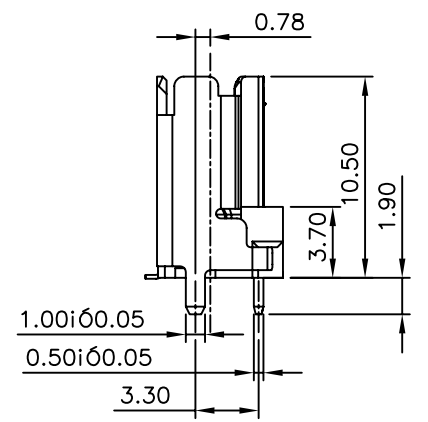
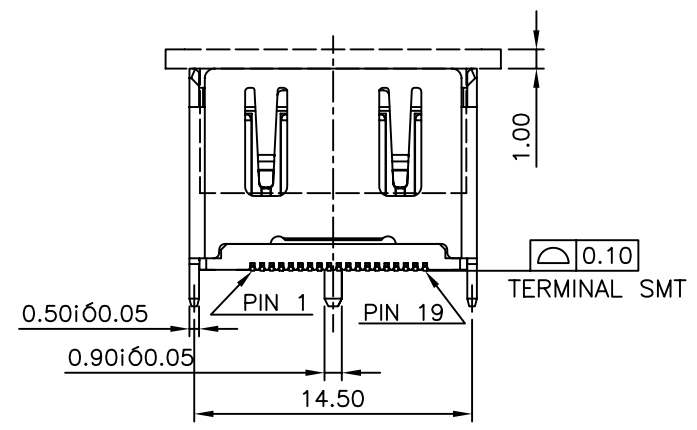
② { 01: W/ CAP
 02: W/O CAP

① TYPE OPTION { 01 : W/O SCREW
 02 : W/ SCREW

③ { 01 : Au FLASH ON CONTACT AREA, FLASH
 02 : 3u" Au ON CONTACT AREA, 3u"
 03 : 15u" Au ON CONTACT AREA, 15u"
 04 : 30u" Au ON CONTACT AREA. 30u"



RECOMMENDED PCB LAYOUT (TOP VIEW)
 TOLERANCE: ±0.05mm



GENERAL TOLERANCE	WIESON TECHNOLOGIES CO., LTD WIESON	PART NO.: G3168-31*****-H0	
X.X = ±0.20		DRAWN BY: Allen Sun (WST)	DRAWING NO. G3168-31*****-H0
X.XX = ±0.10	CHECKED BY: JACK	DRAWING SIZE 2.5 : 1 A4	
X.X* = ±3'	APPROVED BY: KEVIN	UNIT: mm	
	SORTING NO. WSC	PAGE: 1 OF 2	

[ISSUED]

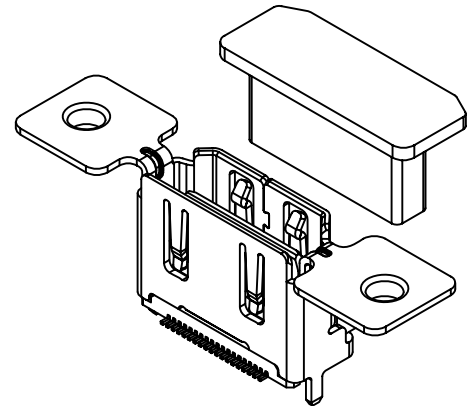
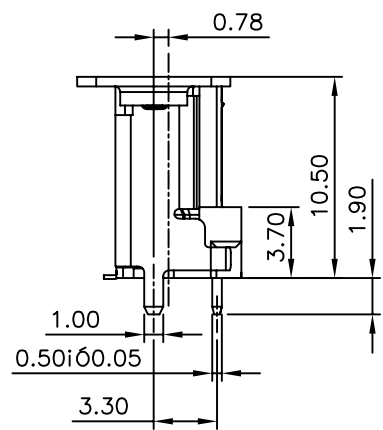
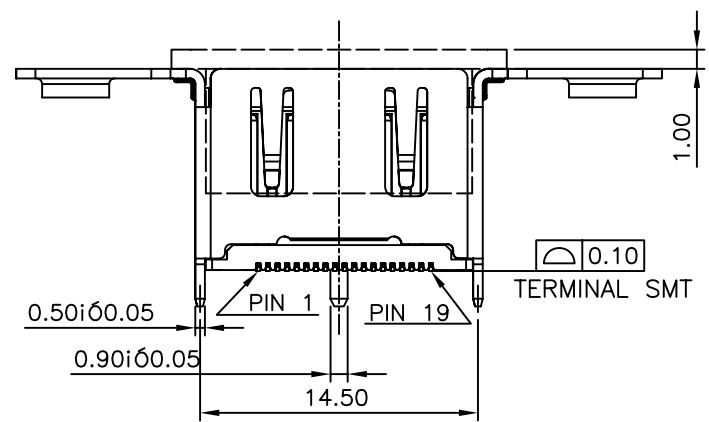
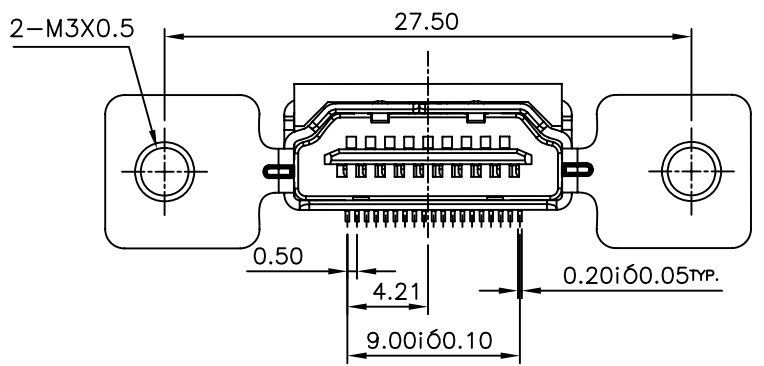
[ARTICLE:044033 V5]

HF Compliant

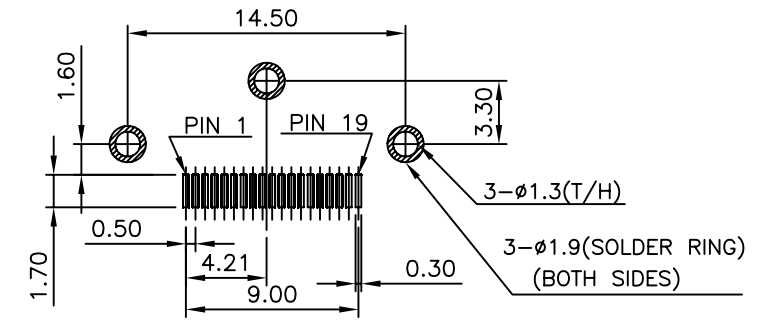
REV	DATE	DESCRIPTION	ECN NO.	NAME
1.0	10.09.16	NEW RELEASE		Allen

3168 SERIES HDMI FEMALE VERTICAL 10.5H SMT TYPE

A
B
C
D
E



G3168-3102****-H0



RECOMMENDED PCB LAYOUT (TOP VIEW)
TOLERANCE: ±0.05mm

GENERAL TOLERANCE X.X = ±0.20 X.XX = ±0.10 X.X* = ±3°	WIESON TECHNOLOGIES CO., LTD WIESON	PART NO.: G3168-31*****-H0		
	DRAWN BY	Allen Sun (WST)	DRAWING NO.	G3168-31*****-H0
	CHECKED BY	JACK	DRAWING SIZE	2.5 : 1 A4
	APPROVED BY	KEVIN	UNIT	mm
	SORTING NO.	WSC	PAGE	2 OF 2

[ISSUED]

[ARTICLE:044033 V5]