

HF Compliant

3168 SERIES HDMI FEMALE VERTICAL 15H SMT SCREW TYPE

REV	DATE	DESCRIPTION	ECN NO.	NAME
A	10.03.11	NEW RELEASE		Allen Sun
B	12.05.24	CHANGE CAP STRUCTURE	CECR12006972	YJW

NOTES:

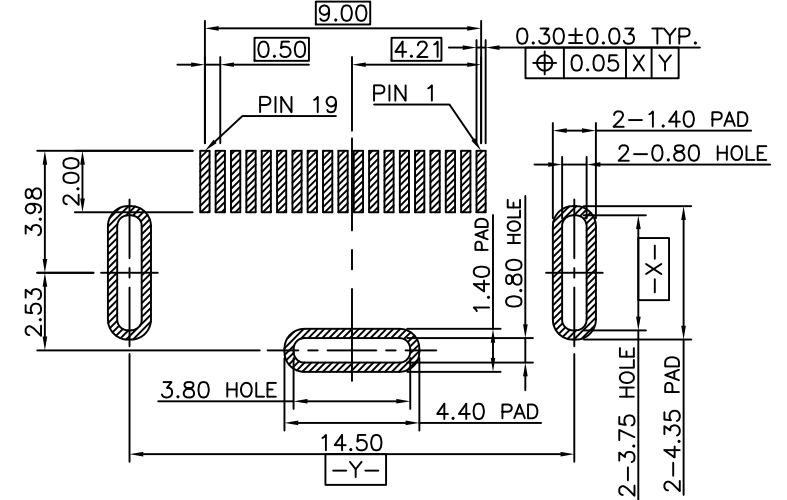
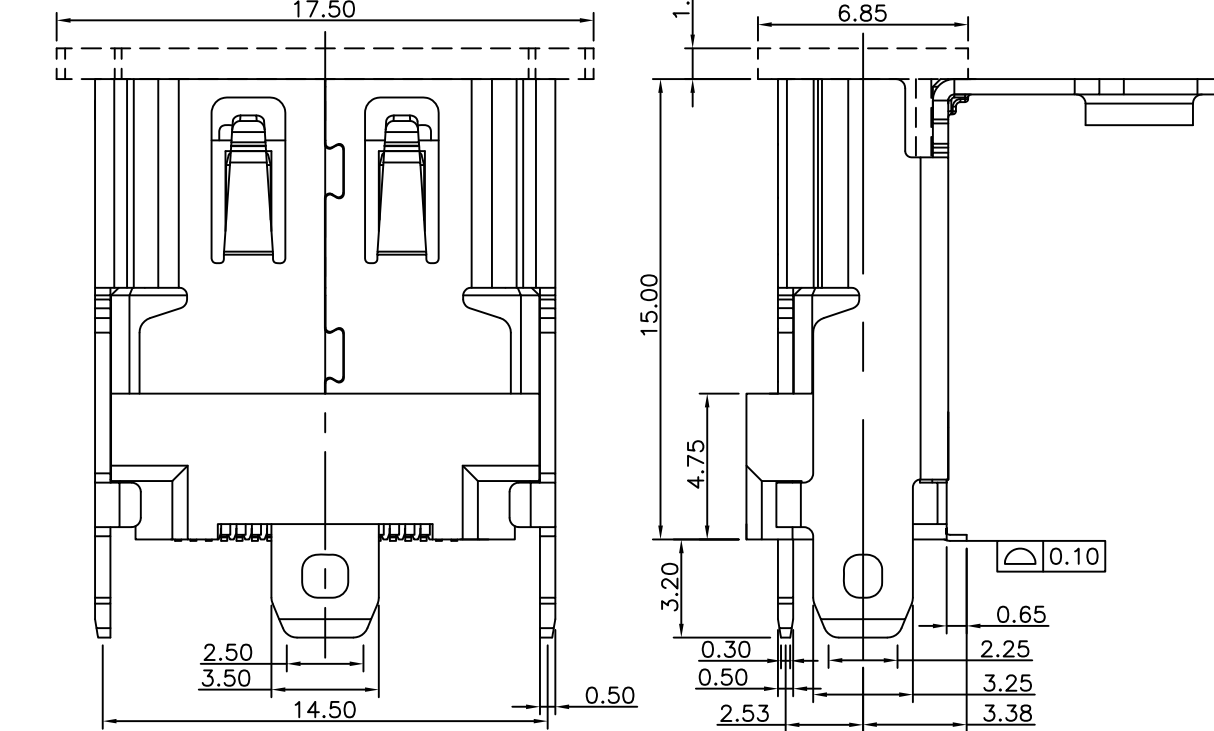
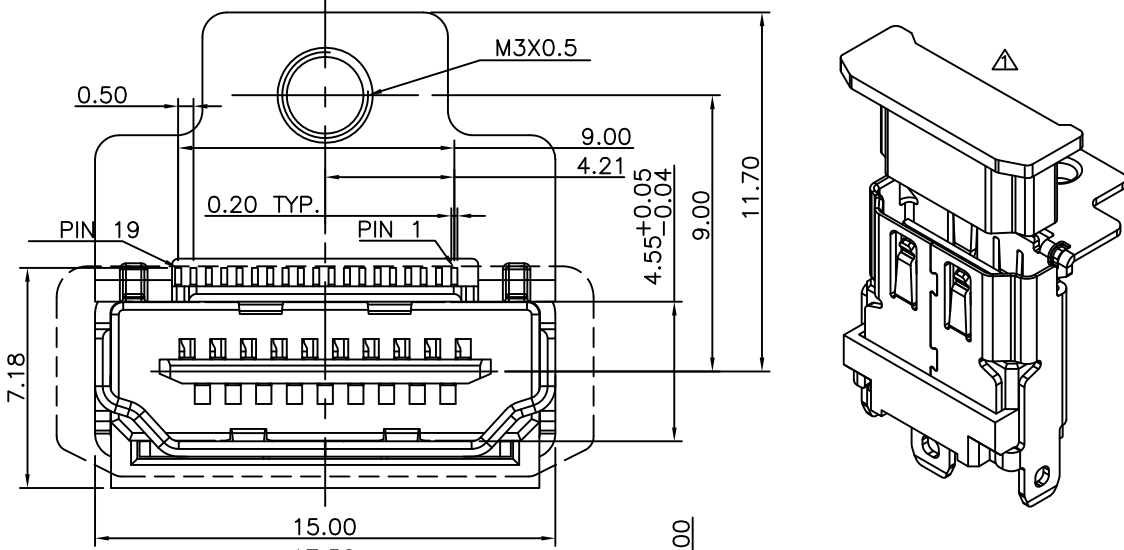
- MATERIAL :**
 TERMINAL : COPPER ALLOY,
 SHELL : COPPER ALLOY,
 HOUSING : THERMOPLASTIC(UL94V-0),
 CAP : THERMOPLASTIC(UL94V-0).
- PLATING :**
 TERMINAL : Au PLATED ON CONTACT AREA(SEE ORDER INFORMATION),
 Sn PLATED ON SOLDER TAIL AREA,
 BOTH OVER Ni UNDERPLATED OVERALL.
 SHELL : SOLDERABLE Ni OVERALL.
- PACKING :** TAPE&REEL.
- ORDER INFORMATION :**

G3168-36 00 00 XX -H0

①

- 01 : Au FLASH
- 02 : 3u" Au
- 03 : 15u" Au
- 04 : 30u" Au

A
B
C
D
E



RECOMMENDED PCB LAYOUT (TOP VIEW)
TOLERANCE: ±0.05mm

GENERAL TOLERANCE	WIESON TECHNOLOGIES CO., LTD	PART NO.:	G3168-360000XX-H0	
X.X = ±0.20	DRAWN BY	SAM	DRAWING NO.	G3168Z360000XX-H0
X.XX = ±0.15	CHECKED BY	YXJUN	DRAWING SIZE	4:1 A4
X.X* = ±3'	APPROVED BY	JIM	UNIT	mm
	SORTING NO.	WSC	PAGE	1 OF 1

[ISSUED]

[ARTICLE:044033 V6]