

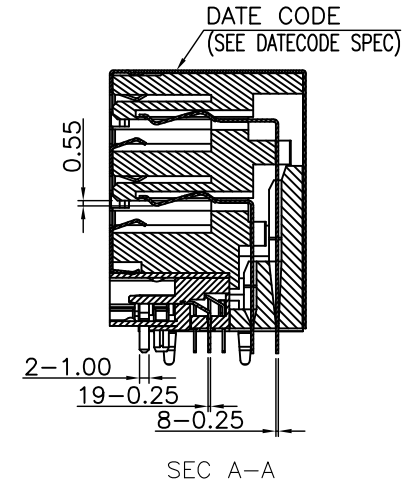
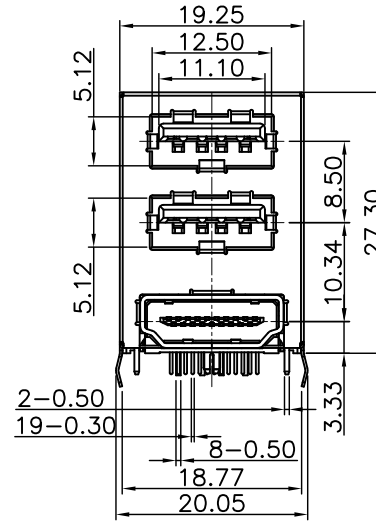
RoHS Compliant

2*USB+HDMI CONNECTOR

REV	DATE	DESCRIPTION	ECN NO.	NAME
A	12.01.20	PROPOSAL		XHTao
A1	12.08.23	△ MODIFY		LFW
A2	18.09.17	△ MODIFY		HHuan

MATERIAL:

HOUSING(USB): SEE ORDER INFORMATION(UL94V-0).COLOR:BLACK
 HOUSING(HDMI): SEE ORDER INFORMATION(UL94V-0).COLOR:BLACK
 TERMINAL(USB,HDMI): BRASS
 TERMINAL PLATING(USB): SEE ORDER INFORMATION
 TERMINAL PLATING(HDMI): SEE ORDER INFORMATION
 SHELL(USB): STAINLESS STEEL
 △ SHELL(HDMI): STEEL
 SHELL PLATING(USB,HDMI): SEE ORDER INFORMATION



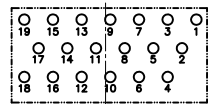
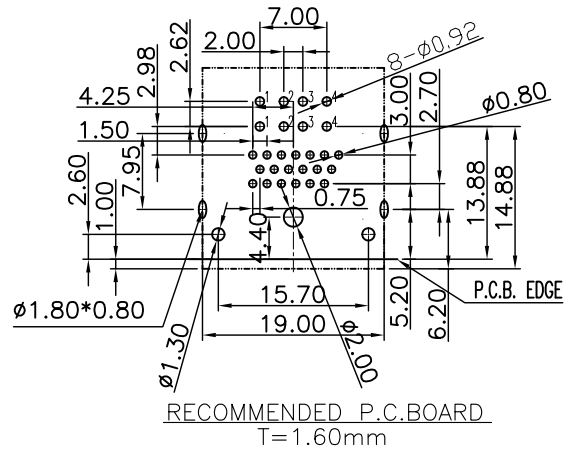
ORDER INFORMATION
 △ G3168-37 ** ** *-00

HOUSING MATERIAL
 01: UPPER,PBT
 LOWER,LCP

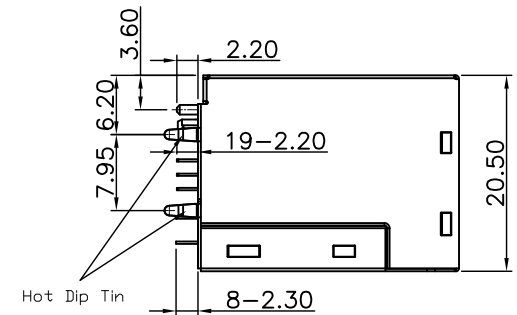
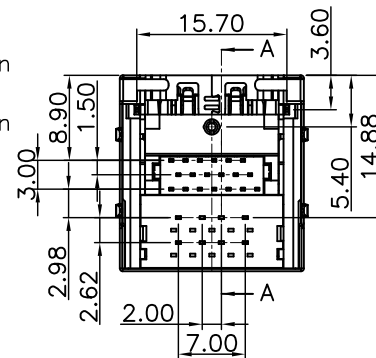
SHELL PLATING
 00: Ni PLATED

TERMINAL PLATING

01: UPPER: CONTACT TAIL:1u" Au,
 SOLDER TAIL:100u" FOGGY Sn
 LOWER: CONTACT TAIL:1u" Au,
 SOLDER TAIL:100u" FOGGY Sn



HDMI PIN POSITION



RECOMMENDED P.C.BOARD
 T=1.60mm

NOTE: P.C.B LAYOUT TOLERANCE: ±0.05mm

GENERAL TOLERANCE ± 0.25mm	WIESON TECHNOLOGIES CO., LTD		PART NO.: G3168-37*****-00	
	WIESON			
GENERAL ANGLE TOLERANCE ± 3°	DRAWN BY	XHTao(WSC)	DRAWING NO.	G3168-37*****-00
	CHECKED BY	WZBIN	DRAWING SIZE	A4
	APPROVED BY	JINKENS	UNIT	mm
	SORTING NO.	CA0009(WSC)	PAGE	1 OF 1