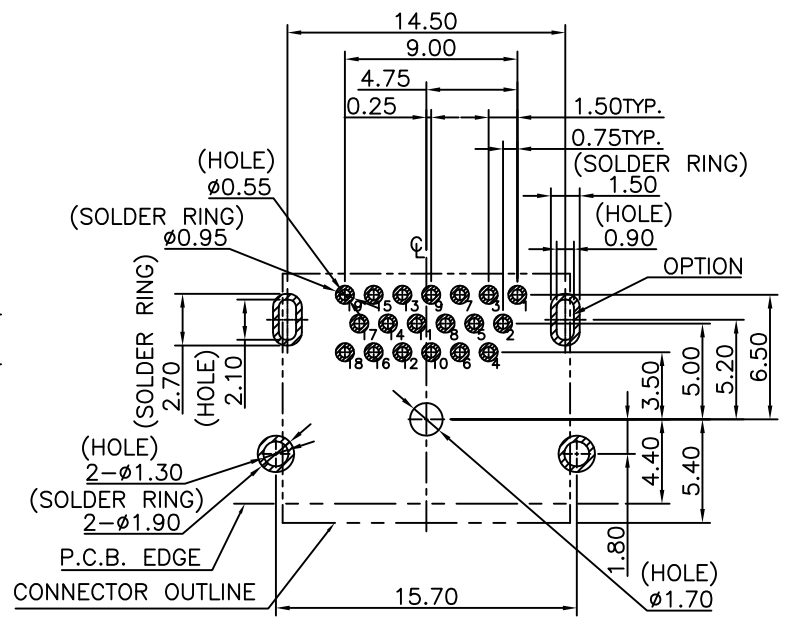
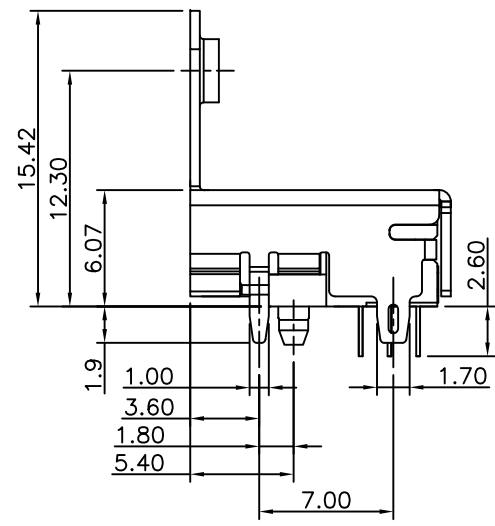
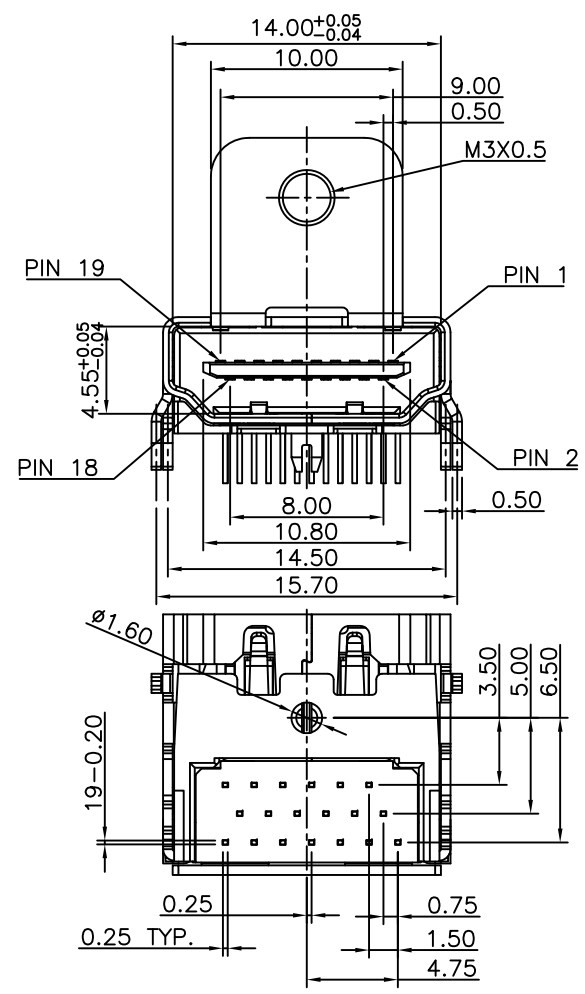
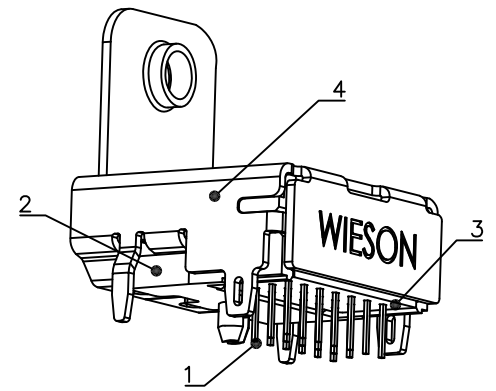
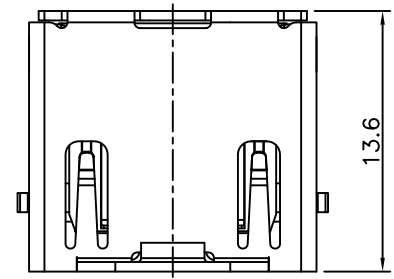


**HF Compliant**

G3168 SERIES HDMI FEMALE RIGHT/ANGLE DIP TYPE – EMI

REV	DATE	DESCRIPTION	ECN NO.	NAME
A	11.01.13	NEW RELEASE		JIN
B	14.05.15	△ MODIFY PLATING	CECR14008338	GAVIN

A  
B  
C  
D  
E



RECOMMENDED PCB LAYOUT (TOP VIEW)  
TOLERANCE: ±0.05mm

NO.	PART NAME	GENERAL TOLERANCE	WIESON TECHNOLOGIES CO., LTD	PART NO.:		
1	TERMINAL	X.X = ±0.20		G3168-39*****-H0		
2	HOUSING	X.XX = ±0.10		DRAWN BY	JIN (WST)	
3	BACK HOUSING	X.X' = ±3'		CHECKED BY	YXJ	
4	SHELL			APPROVED BY	JIM	
			SORTING NO.	WSC	DRAWING NO.	G3168-39*****-H0
					DRAWING SIZE	2.5 : 1 A4
					UNIT	mm
					PAGE	1 OF 2

ISSUED

[ARTICLE:044033 V5]

**HF Compliant**

REV	DATE	DESCRIPTION	ECN NO.	NAME
A	11.01.13	NEW RELEASE		JIN
B	14.05.15	△ MODIFY PLATING	CECR14008338	GAVIN

# G3168 SERIES HDMI FEMALE RIGHT/ANGLE DIP TYPE – EMI

**NOTE:**

1.MATERIAL:  
 HOUSING: HIGH TEMPERATURE PLASTIC, UL94-V0, COLOR: BLACK.  
 BACK HOUSING: HIGH TEMPERATURE PLASTIC, UL94-V0, COLOR: BLACK.  
 TERMINAL: COPPER ALLOY.  
 SHELL: COPPER ALLOY.

2.PLATING:  
 TERMINAL: SELECTIVE Au PLATED ON CONTACT AREA  
 (SEE ORDER INFORMATION), 100u" Sn PLATED ON SOLDER TAIL AREA,  
 BOTH OVER 50u" MIN. Ni UNDERPLATED OVERALL.  
 SHELL : SEE ORDER INFORMATION

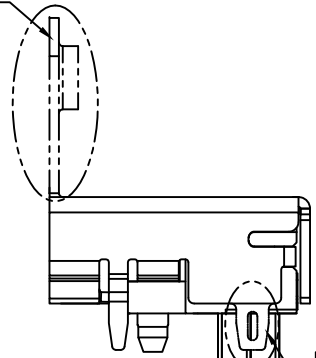
3.PAKCING: TRAY  
 4.ORDER INFORMATION: G3168-39 <sup>\*\*</sup>① <sup>\*\*</sup>② <sup>\*\*</sup>③ -H0

- ① { 01: W/O SCREW W/O LOGO
- 02: W/O SCREW W/ LOGO
- 03: W/ SCREW W/O LOGO
- 04: W/ SCREW W/ LOGO

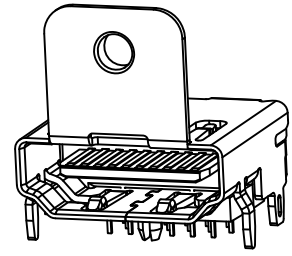
- ② { 11: SHELL 4 DIP, PLATED WELDABLE Ni OVERALL △
- 21: SHELL 2 DIP, PLATED WELDABLE Ni OVERALL.△
- 12: SHELL 4 DIP, 100u"MIN. Sn PLATED, 50u" MIN. Ni UNDER PLATED OVERALL.
- 22: SHELL 2 DIP, 100u"MIN. Sn PLATED, 50u" MIN. Ni UNDER PLATED OVERALL.

- ③ { 01: 1u"Au ON CONTACT AREA
- 02: 3u"Au ON CONTACT AREA
- 03: 15u"Au ON CONTACT AREA
- 04: 30u"Au ON CONTACT AREA

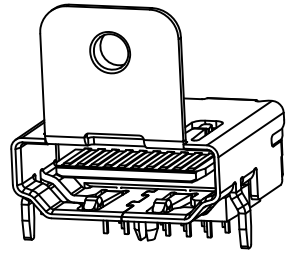
SCREW OPTION



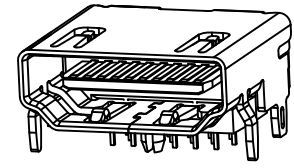
OPTION VIEW      DIP OPTION



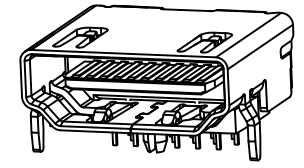
G3168-39031\*\*\*-H0  
G3168-39041\*\*\*-H0



G3168-39032\*\*\*-H0  
G3168-39042\*\*\*-H0



G3168-39011\*\*\*-H0  
G3168-39021\*\*\*-H0



G3168-39012\*\*\*-H0  
G3168-39022\*\*\*-H0

GENERAL TOLERANCE X.X = ±0.20 X.XX = ±0.10 X.X* = ±3*	WIESON TECHNOLOGIES CO., LTD WIESON		PART NO.: G3168-39*****-H0	
	DRAWN BY	JIN (WST)	DRAWING NO.	G3168-39*****-H0
	CHECKED BY	YXJ	DRAWING SIZE	2.5 : 1 A4
	APPROVED BY	JIM	UNIT	mm
SORTING NO.	WSC	PAGE	2 OF 2	

ISSUED

[ARTICLE:044033 V5]