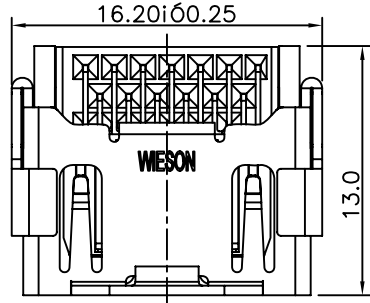


RoHS Compliant

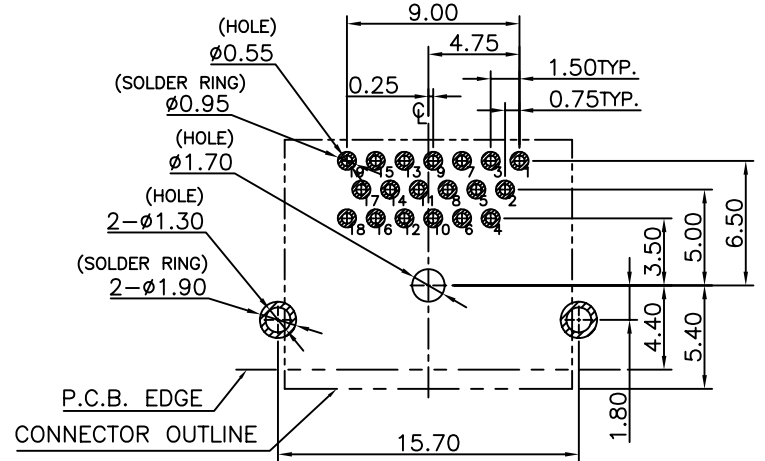
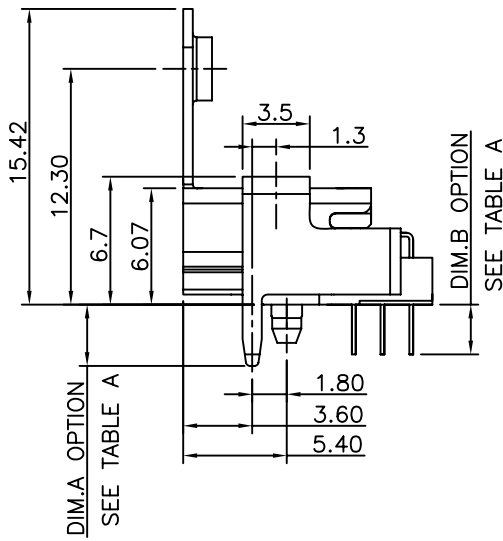
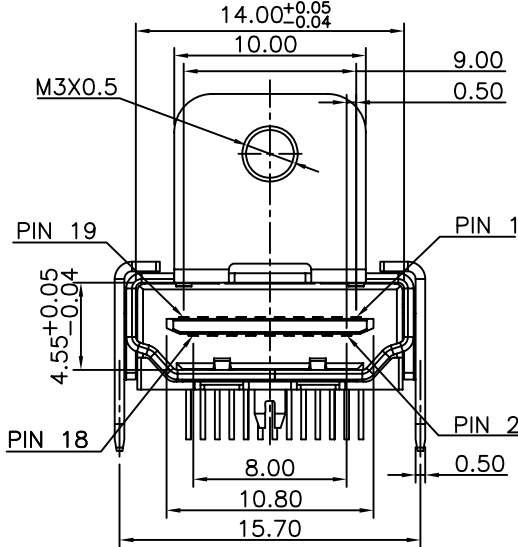
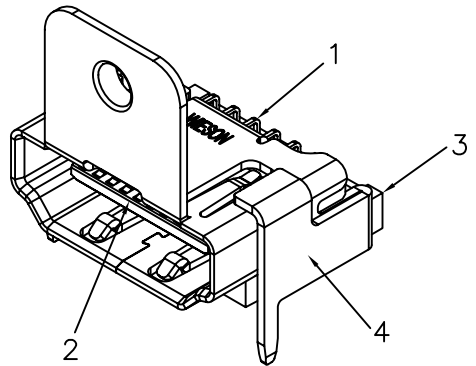
REV	DATE	DESCRIPTION	ECN NO.	NAME
1.0	10.07.22	NEW RELEASE		Allen

G3168 SERIES HDMI FEMALE RIGHT/ANGLE DIP TYPE

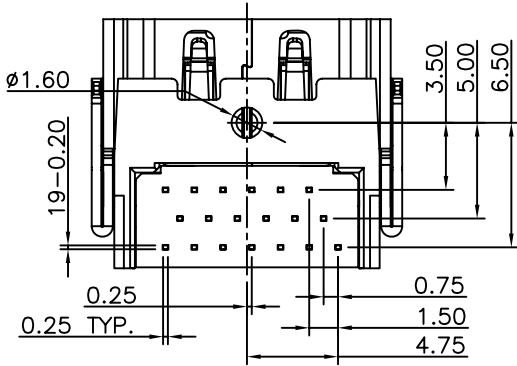


DIM.A	3.2	1.9
DIM.B	2.60	2.20

TABLE A



RECOMMENDED PCB LAYOUT (TOP VIEW)
TOLERANCE: ±0.05mm



NO.	PART NAME	GENERAL TOLERANCE	WIESON TECHNOLOGIES CO., LTD	PART NO.:
1	TERMINAL	X.X = ±0.20	 DRAWN BY: Allen Sun (WST) CHECKED BY: JIM APPROVED BY: JIM SORTING NO.: WSC	G3168-59*****-00
2	HOUSING	X.XX = ±0.10		DRAWING NO. G3168-59*****-00
3	BACK HOUSING	X.X' = ±3'		DRAWING SIZE 2.5 : 1 A4
4	SHELL	⊕ = ±3'		UNIT mm
				PAGE 1 OF 2

RoHS Compliant

REV	DATE	DESCRIPTION	ECN NO.	NAME
1.0	10.07.22	NEW RELEASE		Allen

G3168 SERIES HDMI FEMALE RIGHT/ANGLE DIP TYPE

NOTE:

1.MATERIAL:

HOUSING: HIGH TEMPERATURE PLASTIC, UL94-V0, COLOR: BLACK.
 BACK HOUSING: HIGH TEMPERATURE PLASTIC, UL94-V0, COLOR: BLACK.
 TERMINAL: COPPER ALLOY.
 SHELL: COPPER ALLOY.

2.PLATING:

TERMINAL: SELECTIVE Au PLATED ON CONTACT AREA
 (SEE ORDER INFORMATION), 100u" Sn PLATED ON SOLDER TAIL AREA,
 BOTH OVER 50u" MIN. Ni UNDERPLATED OVERALL.
 SHELL : PLATED 100u"MIN. WELDABLE Ni OVERALL.

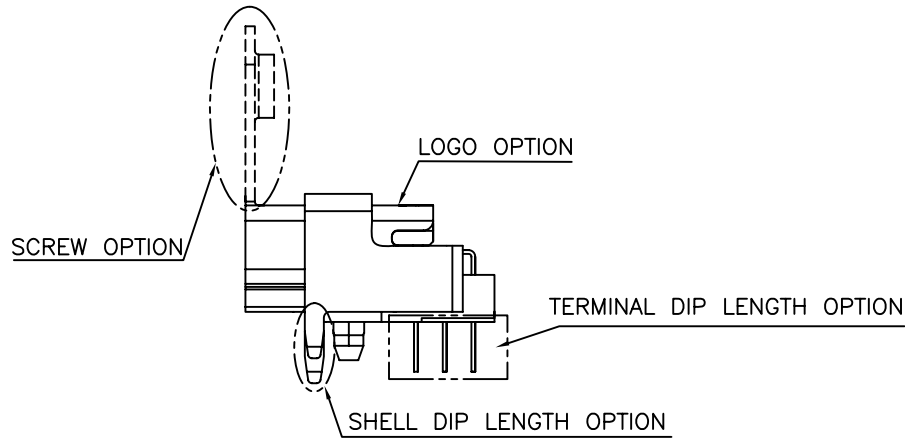
3.PAKCING: TRAY

4.ORDER INFORMATION: G3168-59 ^① ^② ^③ -00

- ② { 11: SHELL DIP LENGTH 3.2mm, TERMINAL DIP LENGTH 2.60mm.
- 12: SHELL DIP LENGTH 3.2mm, TERMINAL DIP LENGTH 2.20mm.
- 21: SHELL DIP LENGTH 1.9mm, TERMINAL DIP LENGTH 2.60mm.
- 22: SHELL DIP LENGTH 1.9mm, TERMINAL DIP LENGTH 2.20mm.

- ③ { 01: 1u"Au ON CONTACT AREA
- 02: 3u"Au ON CONTACT AREA
- 03: 15u"Au ON CONTACT AREA
- 04: 30u"Au ON CONTACT AREA

- ① { 01: W/O SCREW W/O LOGO
- 02: W/O SCREW W/ LOGO
- 03: W/ SCREW W/O LOGO
- 04: W/ SCREW W/ LOGO



OPTION VIEW

GENERAL TOLERANCE X.X = ±0.20 X.XX = ±0.10 X.X* = ±3*	WIESON TECHNOLOGIES CO., LTD <small>WIESON</small>		PART NO.: G3168-59*****-00	
	DRAWN BY	Allen Sun (WST)	DRAWING NO.	G3168-59*****-00
	CHECKED BY	JIM	DRAWING SIZE	2.5 : 1 A4
	APPROVED BY	JIM	UNIT	mm
		SORTING NO.	WSC	PAGE