

**RoHS Compliant**

3170 SERIES D-SUB CONN., 90° DIP TYPE

REV	DATE	DESCRIPTION	ECN NO.	NAME
A	12.09.14	PROPOSAL		LFW
A1	15.09.09	△ MODIFY		Huhao

**MATERIAL**

HOUSING: SEE ORDER INFORMATION (UL94V-0)  
 HOUSING COLOR: SEE ORDER INFORMATION  
 CAP: PA9T (UL94V-0)  
 CAP COLOR: BLACK  
 TERMINAL: BRASS  
 TERMINAL PLATING: SELECTIVE Au IN CONTACT AREA, 80u"  
 min. Sn IN SOLDER TAIL AREA, BOTH  
 OVER 30u" min. Ni UNDERPLATED  
 OVERALL

SHELL: SPCC  
 △ SHELL PLATING: SEE ORDER INFORMATION

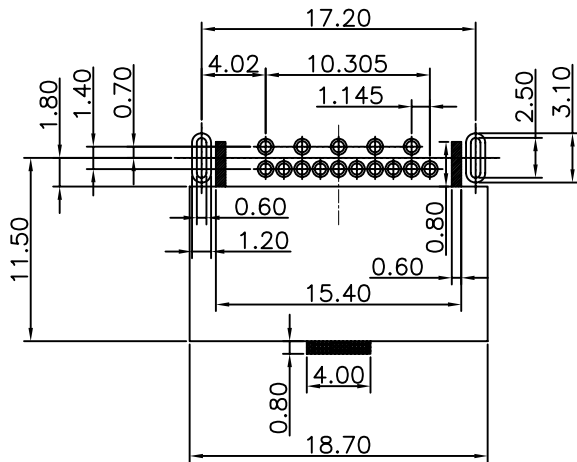
ORDER INFORMATION  
 G3170-38 \*\* \*\* \* \*-00

PACKING  
 0: TAPE REEL

HOUSING MATERIAL &  
 COLOR  
 00: LCP;BLACK  
 01: PA9T;BLACK

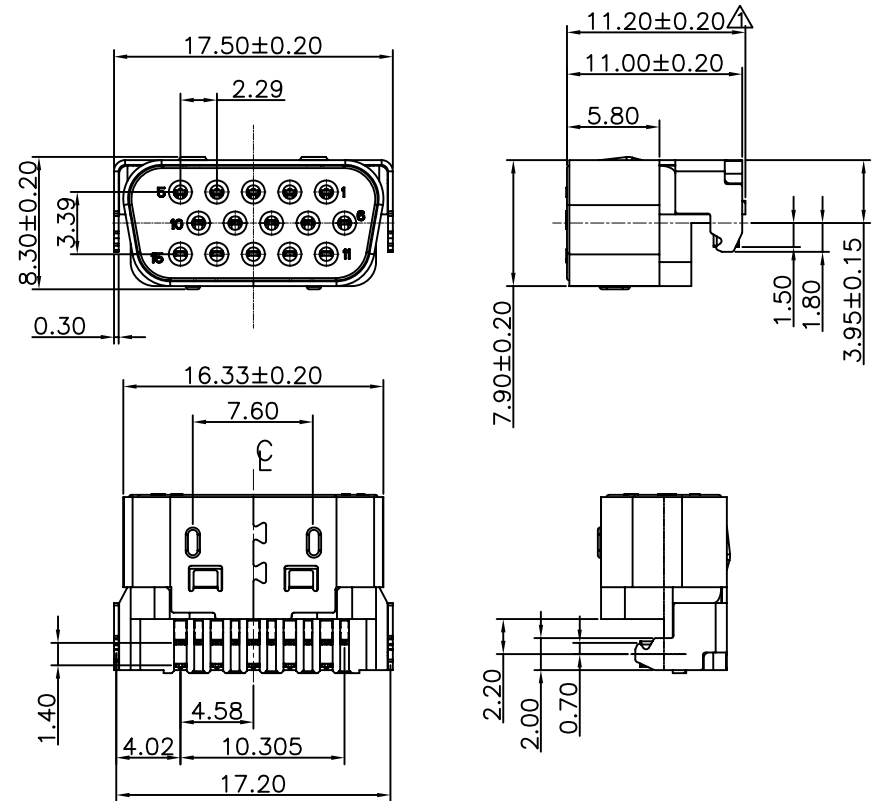
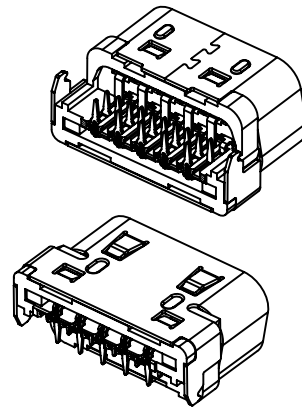
TERMINAL PLATING  
 1: GOLD FLASH  
 2: 15u" Au  
 3: 30u" Au

SHELL PLATING  
 △ 00: Ni, Cu



RECOMMENDED P.C. BOARD  
 HOLE LAYOUT

NOTE: P.C.B LAYOUT TOLERANCE: ±0.05mm



GENERAL TOLERANCE ± 0.25mm	WIESON TECHNOLOGIES CO., LTD		PART NO.: G3170-38*****-00	
	WIESON		DRAWN BY	LFW(WSC)
GENERAL ANGLE TOLERANCE ± 3°	CHECKED BY	JINKENS	DRAWING NO.	G3170-38*****-00
	APPROVED BY	JINKENS	DRAWING SIZE	A4
⊕	SORTING NO.	CA0009(WSC)	UNIT	mm
			PAGE	1 OF 2

PROPOSAL

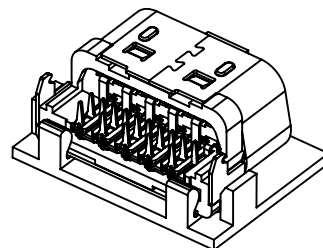
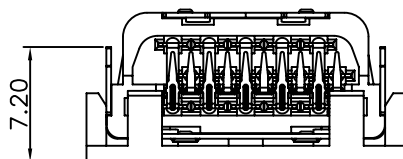
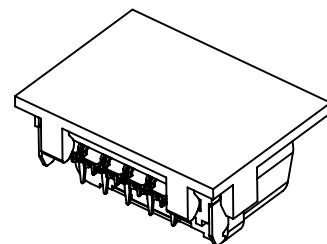
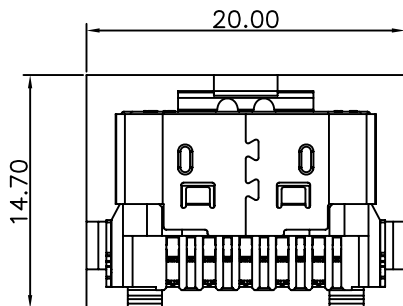
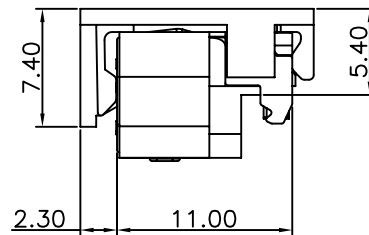
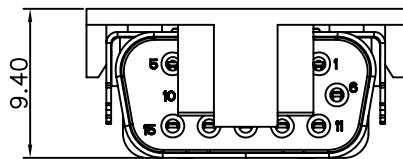
[ARTICLE:044033 V6]

**RoHS Compliant**

3170 SERIES D-SUB CONN., 90° DIP TYPE

REV	DATE	DESCRIPTION	ECN NO.	NAME
A	12.09.14	PROPOSAL		LFW
A1	15.09.09	△ MODIFY		Huhao

A △



E

GENERAL TOLERANCE ± 0.25mm	WIESON TECHNOLOGIES CO., LTD	PART NO.: G3170-38*****-00		
		DRAWN BY	LFW(WSC)	DRAWING NO.
GENERAL ANGLE TOLERANCE ± 3°	CHECKED BY	JINKENS	DRAWING SIZE	A4
	APPROVED BY	JINKENS	UNIT	mm
⊕	SORTING NO.	CA0009(WSC)	PAGE	2 OF 2

PROPOSAL

[ARTICLE:044033 V6]