

RoHS Compliant

D-SUB I.D.C TYPE

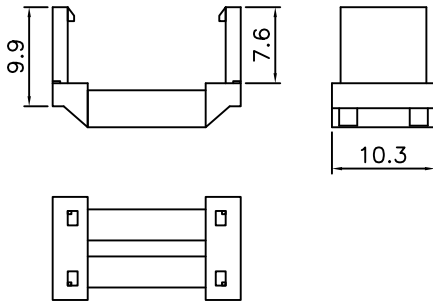
REV	DATE	DESCRIPTION	ECN NO.	NAME
A	13.12.02	PROPOSAL		YXH

MATERIAL
 HOUSING : PBT+30% G.F(UL94V-0)
 HOUSING COLOR : SEE ORDERING INFORMATION
 TERMINAL : COPPER ALLOY
 TERMINAL PLATING : Au PLATING IN CONTACT AREA,
 Sn PLATED ON SOLDER TAIL AREA
 SHELL : SPCC
 SHELL PLATING : Sn PLATING
 RIVET : COPPER ALLOY
 RIVET PLATING : Ni PLATING
 ALL DIMENSIONS TOLERANCE ARE ±0.30mm

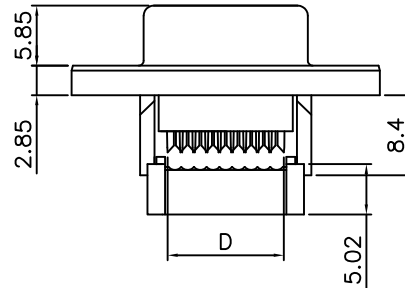
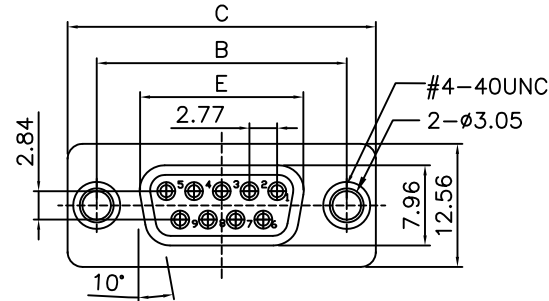
ORDER INFORMATION

G3220 - ** * M * * S1 R 4
 09P 15P 25P
 M:MALE F:FEMALE
 B:BLACK U:BLUE
 N:NONE S/R P:PLASTIC S/R

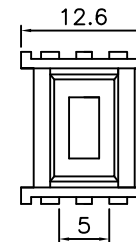
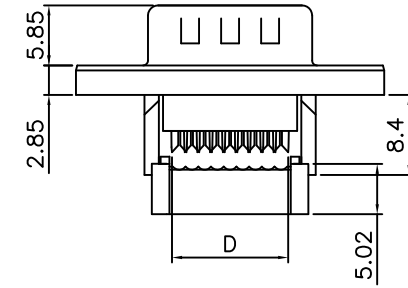
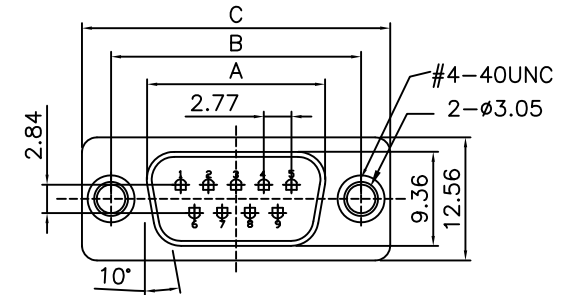
SR



FEMALE



MALE



Position	A	B	C	D	E
9P	17.78	24.99	30.82	11.86	16.33
15P	26.15	33.32	39.24	19.50	24.66
25P	39.94	47.04	53.04	32.15	38.38

GENERAL TOLERANCE X.X = ±0.20 X.XX = ±0.15 X.X* = ±3°	WIESON TECHNOLOGIES CO., LTD WIESON	PART NO.: G3220-***M**S1R4	
	DRAWN BY	YXH	DRAWING NO. G3220-***M**S1R4
	CHECKED BY	Reba	DRAWING SIZE 1.5 : 1 A4
	APPROVED BY	Aliulee	UNIT mm
	SORTING NO.	CB0146(WSC)	PAGE 1 OF 1