

HF Compliant

FOR REFERENCE ONLY

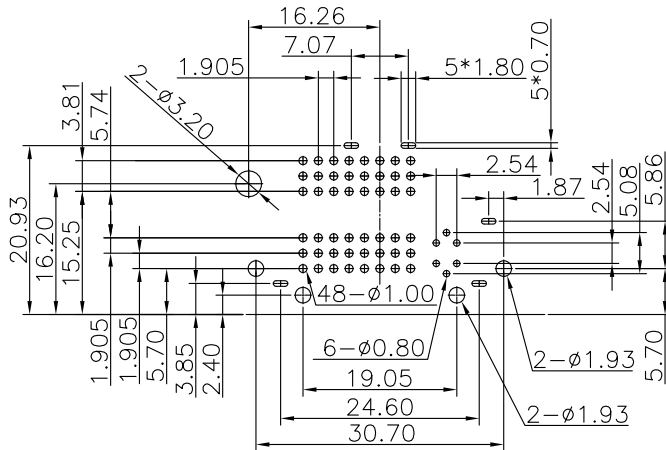
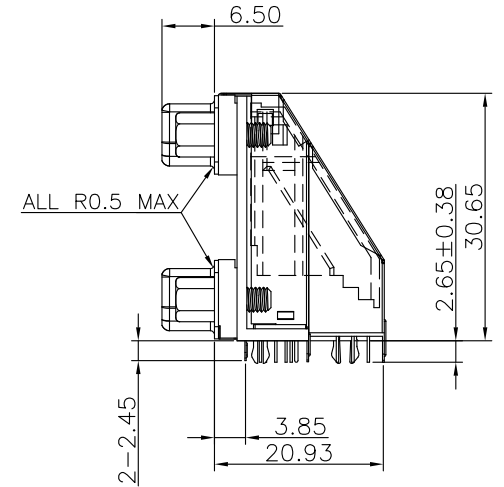
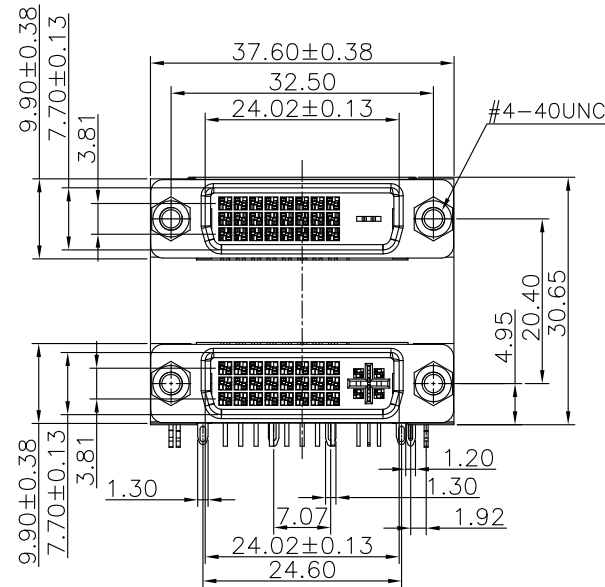
REV	DATE	DESCRIPTION	ECN NO.	NAME
A	11.07.14	PROPOSAL		TTing

FEMALE DVI-D/FEMALE DVI-I CONNECTOR, DIP TYPE

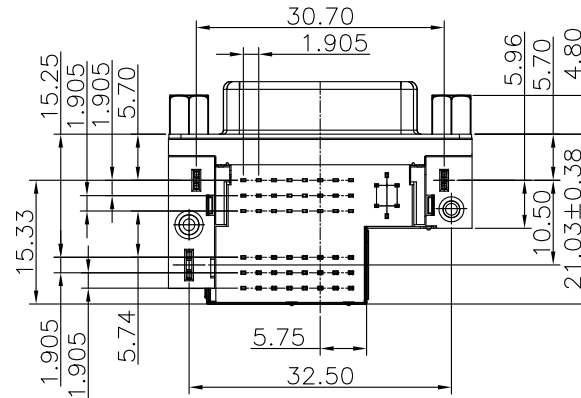
MATERIAL:

HOUSING(UPPER): LCP(UL94V-0)
 HOUSING COLOR(UPPER): BLACK
 HOUSING(LOWER): LCP(UL94V-0)
 HOUSING COLOR(LOWER): BLACK
 TERMINAL: BRASS
 TERMINAL PLATING: GOLD FLASH IN CONTACT AREA, 100u" min. Sn IN SOLDER TAIL AREA, BOTH OVER 50u" min. Ni UNDERPLATED OVERALL

SHELL: SPCC
 SHELL PLATING: Ni PLATED
 SHIELD: SUS
 BOARDLOCK: BRASS
 BOARDLOCK PLATING: Sn PLATED
 BRACKET: ZINC ALLOY
 BRACKET PLATING: Ni PLATED
 SCREW: BRASS
 SCREW PLATING: Ni PLATED



RECOMMENDED P.C.BOARD HOLE LAYOUT



NOTE: 1. P.C.B LAYOUT TOLERANCE: ±0.05mm
 2. THIS IS FOR HALOGEN FREE PART.

GENERAL TOLERANCE ± 0.25mm	WIESON TECHNOLOGIES CO., LTD		PART NO.: G3281CE04-017-H	
	DRAWN BY	TTing(WSC)	DRAWING NO.	G3281CE04-017-H
GENERAL ANGLE TOLERANCE ± 3°	CHECKED BY	Wzbin	DRAWING SIZE	A4
	APPROVED BY	Jinkens	UNIT	mm
④	SORTING NO.	CA0009(WSC)	PAGE	1 OF 1

REFERENCE

[ARTICLE:044033 V6]