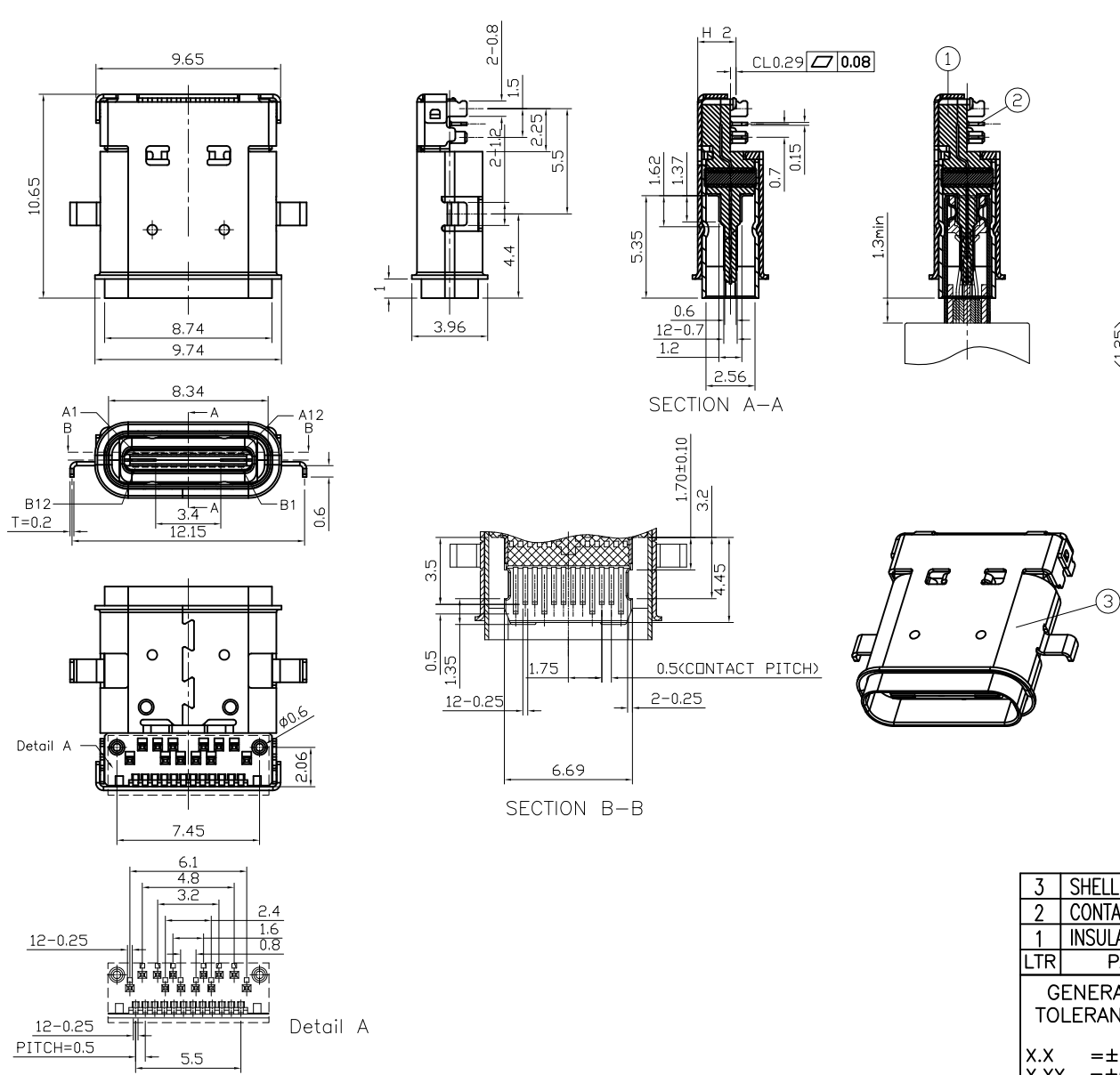


**HF Compliant**

G3402 SERIES USB 3.1 CF WATERPROOF DIP TYPE-2

REV	DATE	DESCRIPTION	ECN NO.	NAME
A	17.07.21	PROPOSAL		ZBR
A1	17.08.31	PROPOSAL	△ADD SPEC	ZBR

A  
B  
C  
D  
E



RECOMMEND P.C.B LAYOUT (COMPONENT SIDE)  
TOLERANCE FOR PCB LAYOUT IS ±0.05  
KEEP OUT AREA

- NOTE:
- MATERIAL:
    - 1.1 INSULATOR: HIGH TEMPERATURE PLASTIC UL 94 V-0;
    - 1.2 CONTACT: COPPER ALLOY (T=0.15mm)
    - 1.3 SHELL: STAINLESS STEEL (T=0.20mm)
  - ELECTRICAL CHARACTERISTICS:
    - 2.1 CONTACT RESISTANCE: 40mΩ Max FOR INITIAL, 10mΩ CHANGE AFTER TEST. MEASURE AT 20mV, 100mA.
    - 2.2 CONTACT CURRENT RATING: 5A FOR VBUS PIN; 1.25A FOR VCONN PIN.
    - 2.3 DIELECTRIC WITHSTANDING VOLTAGE: 100V AC R.M.S.
    - 2.4 INSULATION RESISTANCE 100MΩ Min
    - 2.5 OPERATING TEMPERATURE: -40°C ~ 85°C
  - MECHANICAL CHARACTERISTICS:
    - 3.1 MATING FORCE: 5~20 N
    - 3.2 UNMATED FORCE: 8~20N AFTER TEST
    - 3.3 DURABILITY: 10,000 CYCLES
  - PLATING:
    - 4.1 TERMINAL CONTACT: GOLD PLATING ALL OVER 50u"
    - Min NICKEL AND 80u" Min Tin ALL OVER 50u" Min NICKEL ON SOLDER AREA
    - 4.2 OUT SHELL: 50u" Min. NICKEL ALL OVER
    - 4.3 INNER SHELL: DEGREASE
  - PACKING: REEL
  - PROTECTION GRADE: IP67

LTR	PART NAME	MATERIAL	REMARK
3	SHELL	STAINLESS STEEL	See Note"
2	CONTACT	COPPER ALLOY	See Note"
1	INSULATOR	HIGH TEMPERATURE PLASTIC	UL94V-0 BLACK
GENERAL TOLERANCE		PART NO.: G3402AE045-001-H	
X.X	=±0.20	WIESON TECHNOLOGIES CO., LTD	DRAWING NO. G3402AE045-001-H
X.XX	=±0.15	WIESON	DRAWING SIZE 1 : 1 A4
X.X*	=±3°	DRAWN BY ZBR	UNIT mm
		CHECKED BY Kevin	PAGE 1 OF 3
		APPROVED BY Aliulee	
		SORTING NO. (CA0404)WSC	

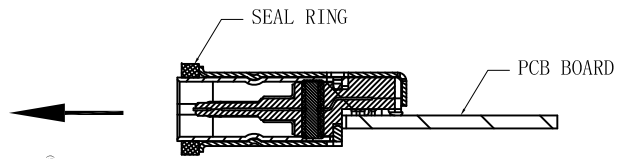
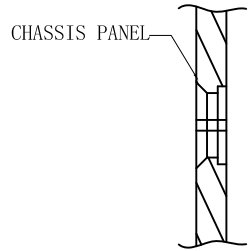
ISSUED

ARTICLE:044033 V6

**HF Compliant**

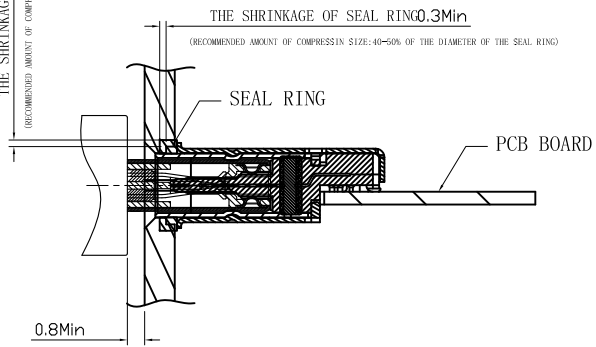
G3402 SERIES USB 3.1 CF WATERPROOF DIP TYPE-2

REV	DATE	DESCRIPTION	ECN NO.	NAME
A	17.07.21	PROPOSAL		ZBR
A1	17.08.31	PROPOSAL	△ADD SPEC	ZBR

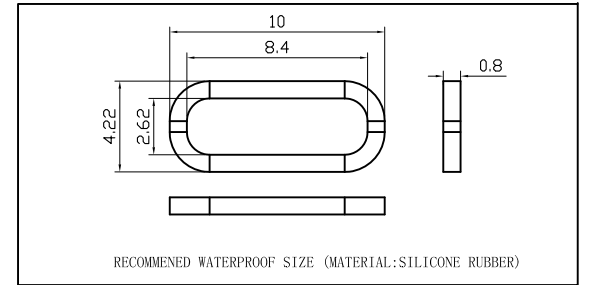
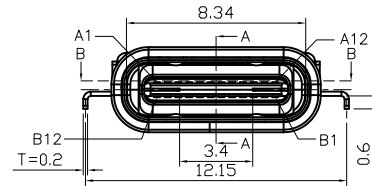


ASSEMBLY METHOD: LEFT AND RIGHT DIRECTION ASSEMBLY

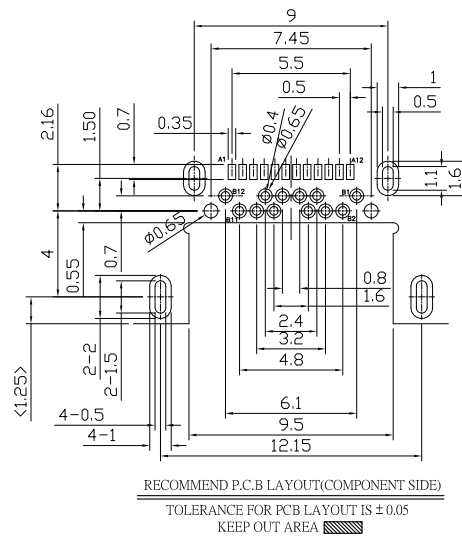
THE SHRINKAGE OF SEAL RING 0.3Min.  
(RECOMMENDED AMOUNT OF COMPRESSION SIZE: 40-50% OF THE DIAMETER OF THE SEAL RING)



MALE AND FEMALE HEAD TO THE ILLUSTRATION



RECOMMENDED WATERPROOF SIZE (MATERIAL: SILICONE RUBBER)



Pin	Signal Name	Mating Sequence	Pin	Signal Name	Mating Sequence
A1	GND	First	B12	GND	First
A2	SSTXp1	Second	B11	SSRXp1	Second
A3	SSTXn1	Second	B10	SSRXn1	Second
A4	V <sub>BUS</sub>	First	B9	V <sub>BUS</sub>	First
A5	CC1	Second	B8	SBU2	Second
A6	Dp1	Second	B7	Dn2	Second
A7	Dn1	Second	B6	Dp2	Second
A8	SBU1	Second	B5	CC2	Second
A9	V <sub>BUS</sub>	First	B4	V <sub>BUS</sub>	First
A10	SSRXn2	Second	B3	SSTXn2	Second
A11	SSRXp2	Second	B2	SSTXp2	Second
A12	GND	First	B1	GND	First
SHELL		GND	SHELL		GND

<b>GENERAL TOLERANCE</b> X.X = ±0.20 X.XX = ±0.15 X.X* = ±3°	WIESON TECHNOLOGIES CO., LTD WIESON		PART NO.: G3402AE045-001-H	
	DRAWN BY	ZBR	DRAWING NO. G3402AE045-001-H	
	CHECKED BY	Kevin	DRAWING SIZE 1 : 1 A4	
	APPROVED BY	Aliulee	UNIT	mm
SORTING NO. (CA0404)WSC		PAGE	2 OF 3	

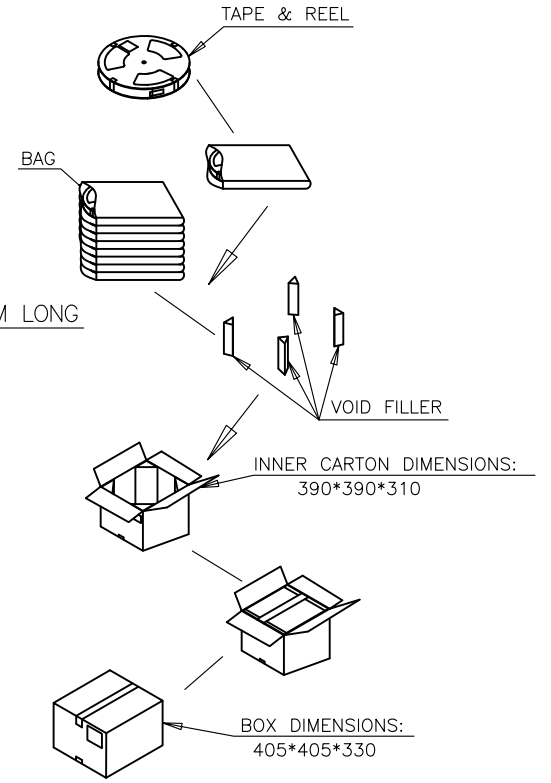
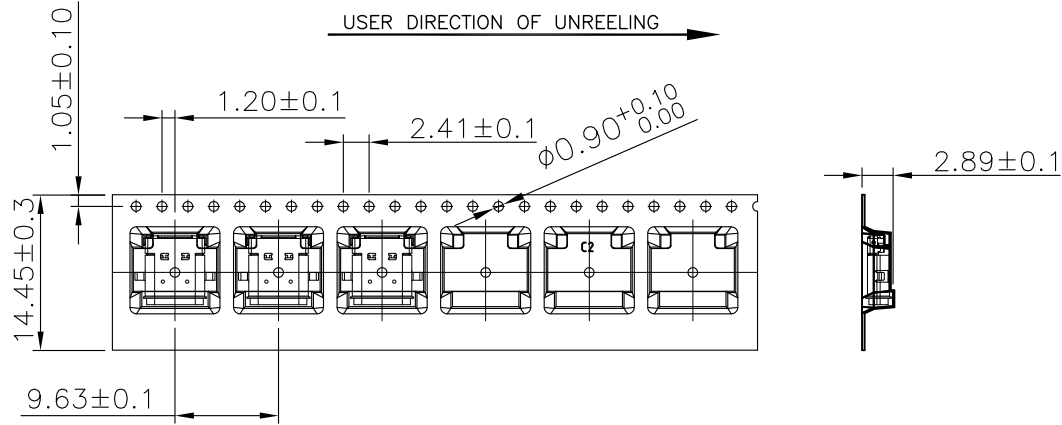
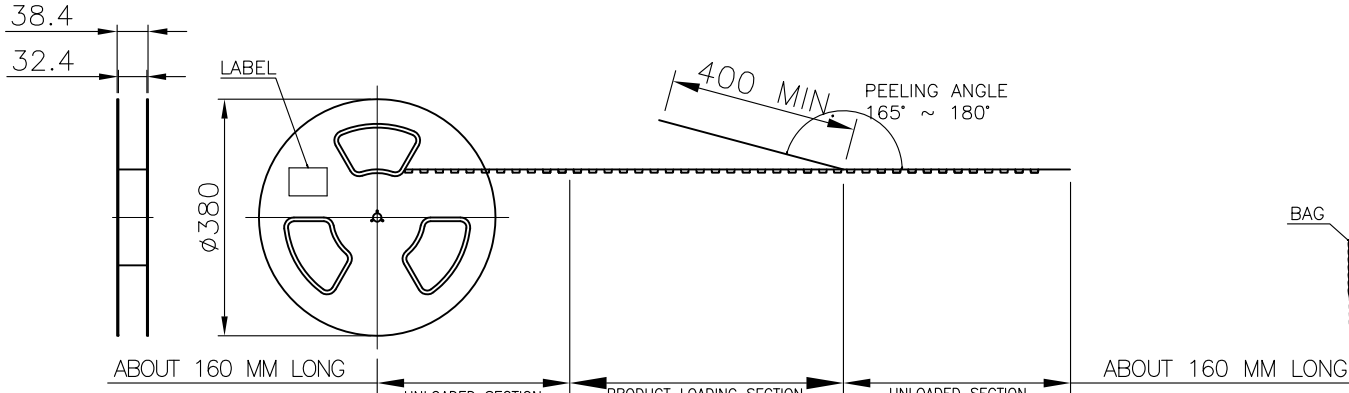
[ISSUED]

[ARTICLE:044033 V6]

**HF Compliant**

REV	DATE	DESCRIPTION	ECN NO.	NAME
A	17.07.21	PROPOSAL		ZBR
A1	17.08.31	PROPOSAL	△ADD SPEC	ZBR

G3402 SERIES USB 3.1 CF WATERPROOF DIP TYPE-2



NOTE:

1.MATERIAL:  
 BOX: FIBREBOARD, CORRUGATED, DOUBLE WALL.  
 TAPE: POLYSTYRENES, HEAT-RESISTANT TEMPERATURE: 120°C, BLACK COLOR.  
 REEL: POLYSTYRENES, HEAT-RESISTANT TEMPERATURE: 70°C, BLUE COLOR.  
 BAG: POLYETHYLENE, HEAT-RESISTANT TEMPERATURE: 100°C.

2.PEELING STRENGTH: 0.1 ~ 1.3 N (10 ~ 130 GRAMS)

3.PEELING SPEED: 300 mm/min.

4.EACH BAG SHALL BE INCLUDED DESICCANT.

1250	10	12500 PCS	-- KG	-- KG
PCS/ REEL	REELS/ CARTON	QUANTITY	GROSS WEIGHT	NET WEIGHT

GENERAL TOLERANCE		WIESON TECHNOLOGIES CO., LTD		PART NO.: G3402AE045-001-H	
X.X	=±0.20	DRAWN BY	ZBR	DRAWING NO. G3402AE045-001-H	
X.XX	=±0.15	CHECKED BY	Kevin	DRAWING SIZE 1 : 1 A4	
X.X*	=±3*	APPROVED BY	Aliulee	UNIT mm	
		SORTING NO.	(CA0404)WSC	PAGE	3 OF 3

[ISSUED]

[ARTICLE:044033 V6]