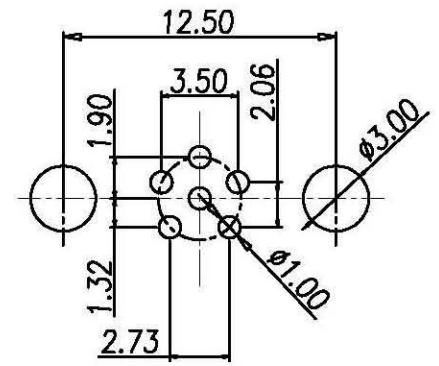
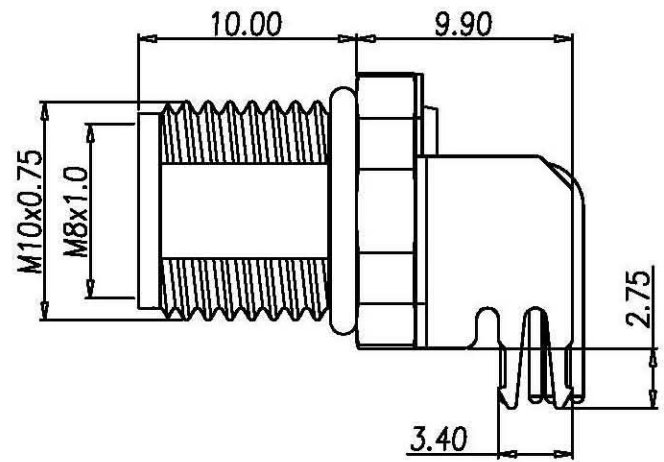
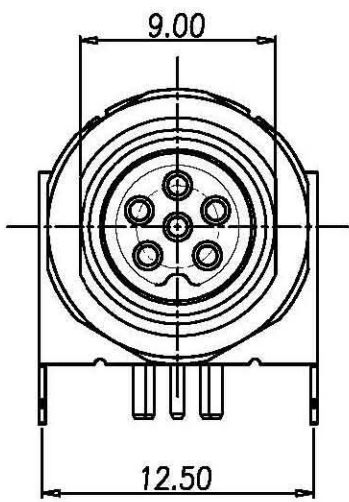


| REV | DATE | DESCRIPTION | ECN NO. | NAME |
|-----|------|-------------|---------|------|
| | | | | |

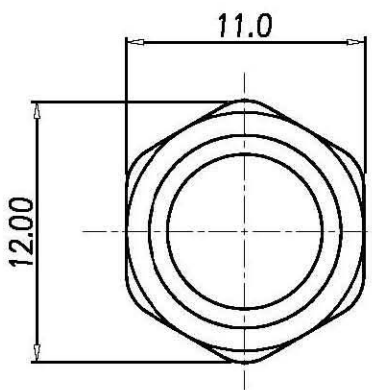
RoHS Compliant

A
B
C
D
E

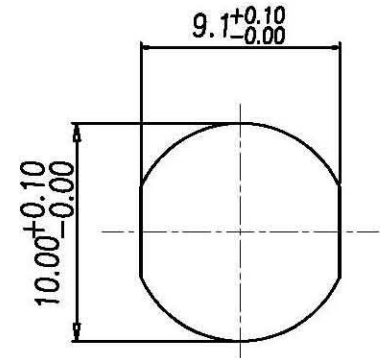
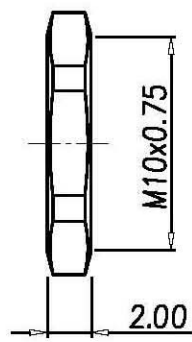


PCB Layout

1. MATERIAL :
 1. HOUSING : PA66 UL94V-0 ; COLOR : BLACK
 2. CONTACT : BRASS.
 3. NUT : BRASS.
 4. SHELL : BRASS.
 5. O-RING : NBR
 6. GROUND : PHOSPHOR BRONZE
2. FINISH :
 1. CONTACT : 10 MICRO INCHES MIN. GOLD PLATED
UNDER PLATE : NICKEL
 2. NUT : NICKEL PLATED
 3. SHELL : NICKEL PLATED
 4. GROUND : BRIGHT TIN PLATED
3. ELECTRICAL SPECIFICATION :
 1. Rated current : 2A
 2. Rated voltage : 30V
 3. Water proof : IP67
4. Environmental :
 1. Operation Temperature : -40~85



Nut



Recommend Panel Cut-Out

CUST P/N.:

WIESON TECHNOLOGIES CO., LTD
PART NO.: G3402 Series

TITLE: M8 Female 6Pin Right Angle

| | | | |
|-------------|--|--------------|---------|
| DRAWN BY | | DRAWING NO. | |
| CHECKED BY | | DRAWING SIZE | NONE A4 |
| APPROVED BY | | UNIT | mm |
| SORTING NO. | | PAGE | 1 OF 1 |