

REV	DATE	DESCRIPTION	ECN NO.	NAME
A	12.06.15	PROPOSAL		LFW

RoHS Compliant

G3509 SERIES USB3.0 CONN., DIP TYPE

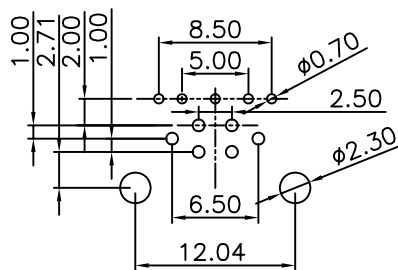
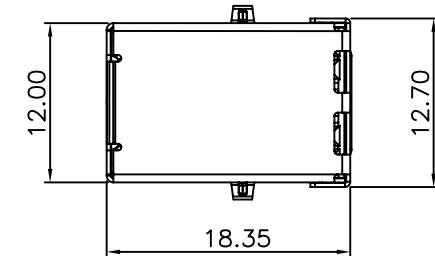
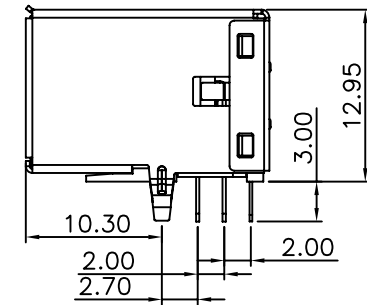
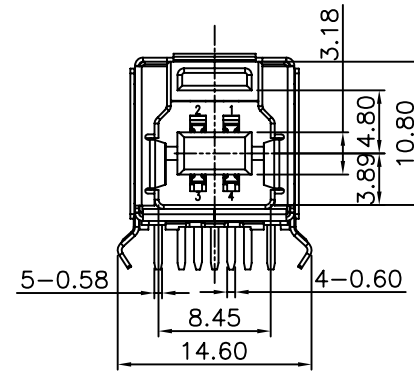
MATERIAL

HOUSING : SEE ORDER INFORMATION
 HOUSING COLOR: SEE ORDER INFORMATION
 TERMINAL: 4PIN: PHOSPHOR BRONZE
 5PIN: BRASS
 TERMINAL PLATING: SELECTIVE Au IN CONTACT AREA, 80u"
 min. Sn IN SOLDER TAIL AREA. BOTH
 SHELL: BRASS OVER 50u" min. Ni UNDER PLATED OVERALL
 SHELL PLATING: SEE ORDER INFORMATION

ORDER INFORMATION

G3509-41 ** ** *-00

HOUSING MATERIAL&COLOR	TERMINAL PLATING
00: PBT+30%G.F; BLACK	01: 5u" Au
01: PBT+30%G.F; BLUE	02: 15u" Au
	03: 30u" Au
	SHELL PLATING
	00: 80u" Ni



RECOMMENDED P.C.BOARD HOLE LAYOUT

NOTE: P.C.B LAYOUT TOLERANCE: ±0.05mm

GENERAL TOLERANCE ± 0.25 mm GENERAL ANGLE TOLERANCE ± 3°	WIESON TECHNOLOGIES CO., LTD WIESON		PART NO.: G3509-41*****-00	
	DRAWN BY	LFW(WSC)	DRAWING NO.	G3509-41*****-00
	CHECKED BY	JINKENS	DRAWING SIZE	A4
	APPROVED BY	JINKENS	UNIT	mm
⊕	SORTING NO.	CA0059(WSC)	PAGE	1 OF 1

PROPOSAL

[ARTICLE:044033 V4]