

RoHS Compliant

FOR REFERENCE ONLY

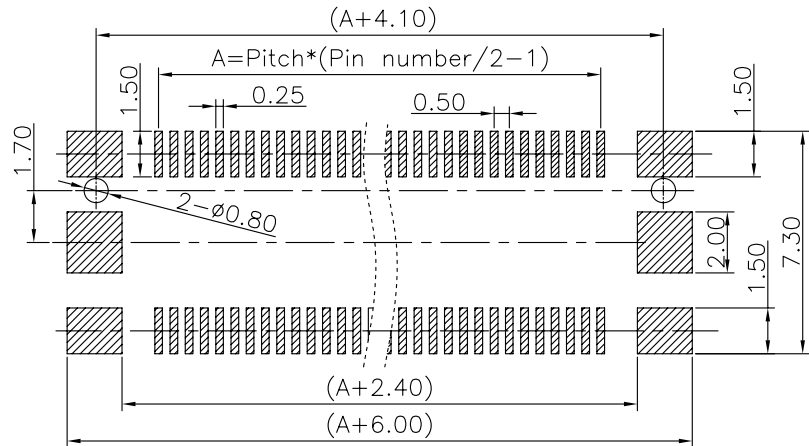
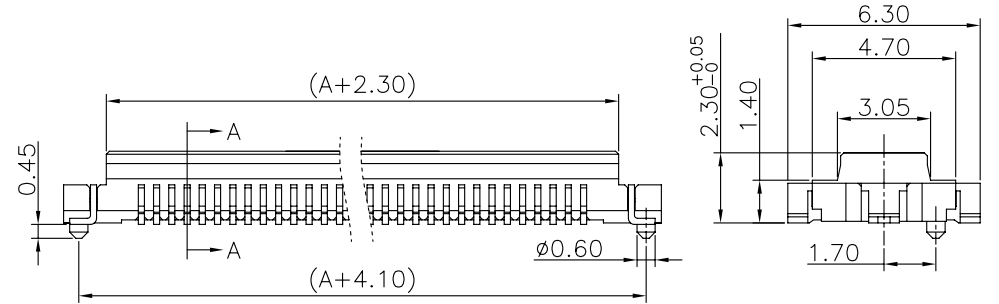
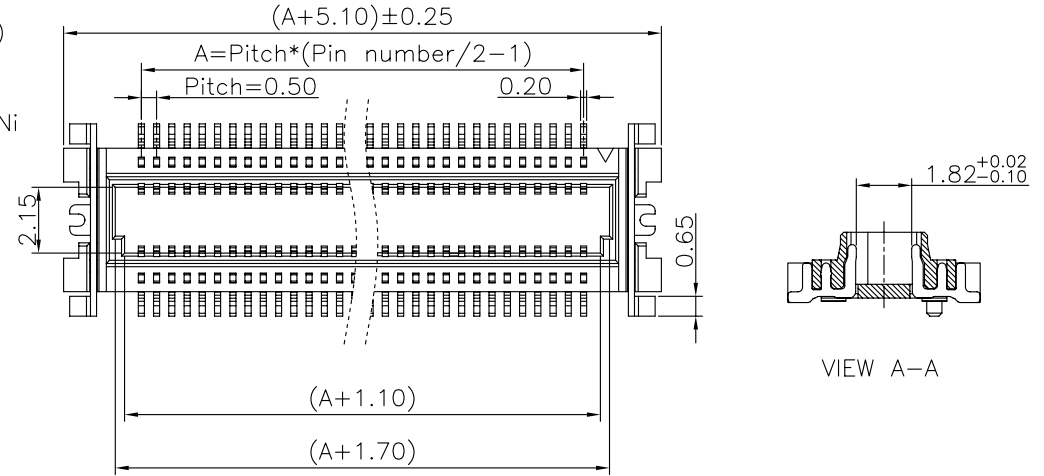
REV	DATE	DESCRIPTION	ECN NO.	NAME
A	11.12.22	PROPOSAL		Wzbin

B TO B CONN., PITCH: 0.5mm, H: 1.5mm, FEMALE, SMT TYPE

ORDER INFORMATION
G4296-06 ** ** * * -00
① ② ③ ④

MATERIAL:
HOUSING: SEE ORDER INFORMATION (UL94V-0)
HOUSING COLOR: SEE ORDER INFORMATION
TERMINAL: BRASS
TERMINAL PLATING: FULL Au OVER 50u" min. Ni UNDERPLATE OVERALL
GROUNDING PIN: BRASS
GROUNDING PIN PLATING: Sn PLATED
PACKING: SEE ORDER INFORMATION

- ① PIN NUMBER:
05: 2*05PIN
06: 2*06PIN
:
40: 2*40PIN
- ② HOUSING MATERIAL&COLOR:
00: LCP, BLACK
01: LCP, NATURE
- ③ PACKING:
0: WITHOUT CAP/MYLAR;
TAPE&REEL
1: TAPE&REEL+CAP
2: TAPE&REEL+Mylar
- ④ TERMINAL PLATING:
1: GOLD FLASH



RECOMMENDED P.C.BOARD

NOTE: 1. P.C.B LAYOUT TOLERANCE: ±0.05mm
2. SMT COPLANARITY TOLERANCE Max: 0.10mm
3. GENERAL TOLERANCE: ±0.20

GENERAL TOLERANCE ± 0.25mm GENERAL ANGLE TOLERANCE ± 3°	WIESON TECHNOLOGIES CO., LTD DRAWN BY Wzbin(WSC)	PART NO.: G4296-06*****-00	
	CHECKED BY Wzbin	DRAWING NO. G4296-06*****-00	DRAWING SIZE A4
	APPROVED BY JinKens	UNIT mm	PAGE 1 OF 1
	SORTING NO. CA0015(WSC)		

REFERENCE

[ARTICLE:044033 V6]