

6132 SERIES FPC CONN. 1.0mm HORIZONTAL SMT TYPE

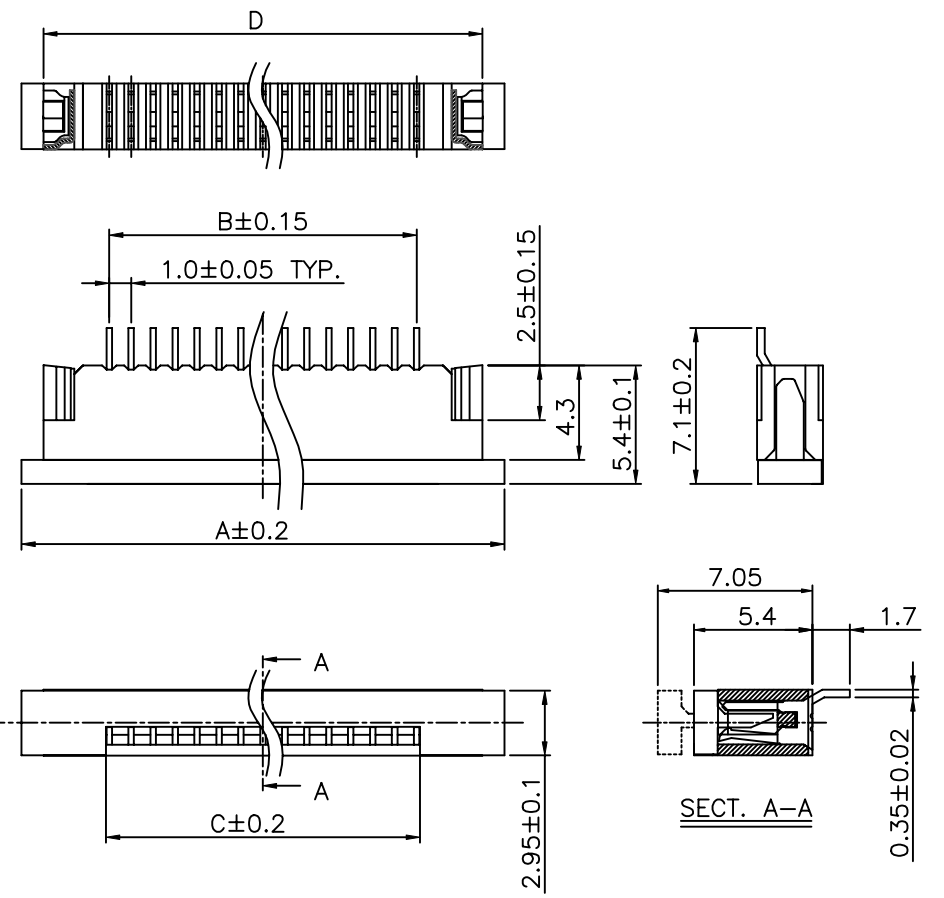
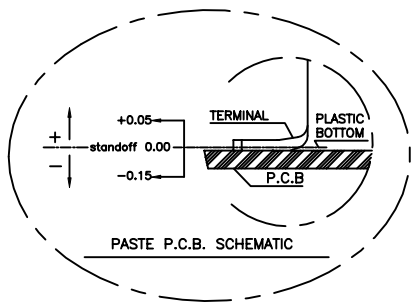
REV	DATE	DESCRIPTION	ECN NO.	NAME
A	05.06.21	NEW RELEASE		LJXIA

TOP CONTACT

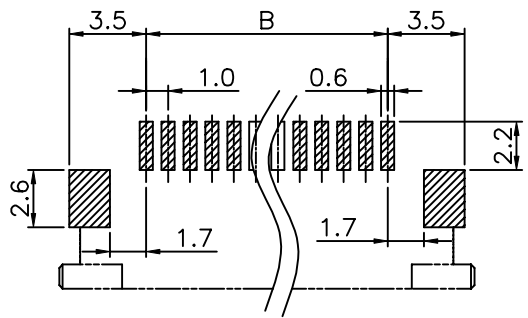
MATERIAL

HOUSING: HIGH TEMPERATURE PLASTIC (UL94V-0)  
 HOUSING COLOR: NATURE  
 ACTUATOR: HIGH TEMPERATURE PLASTIC (UL94V-0)  
 ACTUATOR COLOR: COFFEE  
 TERMINAL: COPPER ALLOY  
 TERMINAL PLATING: Sn/Pb(FOR 6132-32\*\*\*\*) OR Sn(FOR G6132-32\*\*\*\*) PLATED  
 MOUNTING PEG: COPPER ALLOY  
 MOUNTING PEG PLATING: Sn/Pb(FOR 6132-32\*\*\*\*) OR Sn(FOR G6132-32\*\*\*\*) PLATED

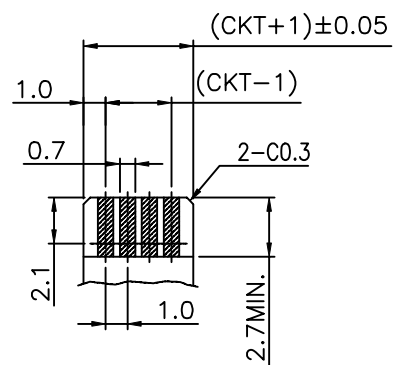
ORDER INFORMATION  
 \*6132-32 \*\* \*\*  
 " ": NORMAL PRODUCT  
 "G": GREEN PRODUCT  
 01: TUBE  
 02: TAPE&REEL  
 03:03P~34:34P  
 32: TOP CONTACT



DIM.  
 A=B+8.0  
 B=(POSITIONS-1)\*1.0  
 C=B+2.15  
 D=B+6



RECOMMENDED P.C.BOARD LAYOUT



RECOMMENDED APPLICABLE FPC LAYOUT(THICKNESS:0.3±0.03)

NOTE: 1. P.C.B LAYOUT TOLERANCE:±0.05mm  
 2. SMT COPLANATITYTOLERANCE:0.13mm Max.

GENERAL TOLERANCE ± 0.25 mm GENERAL ANGLE TOLERANCE ±3°	WIESON TECHNOLOGIES CO., LTD WIESON		PART NO.: *6132-32****	
	DRAWN BY	LJXIA(WSC)	DRAWING NO.	*6132-32****
	CHECKED BY	JIMMY	DRAWING SIZE	A4
	APPROVED BY	JERRY	UNIT	mm
SORTING NO.		P11009(WSC)	PAGE	1 OF 1

ISSUED

[ARTICLE:044033 V4]