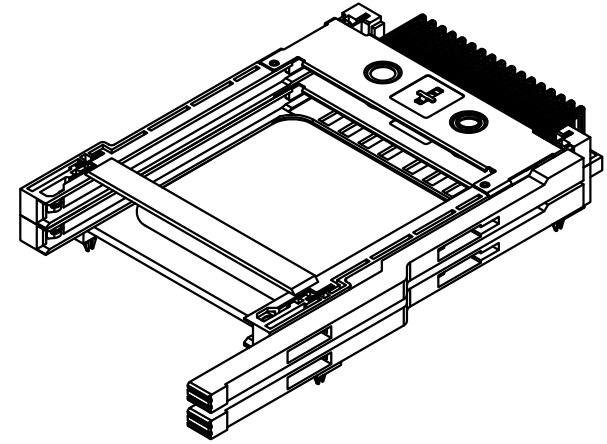
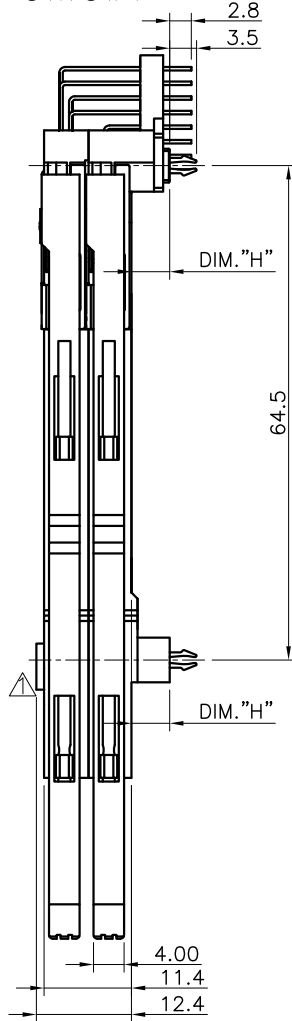
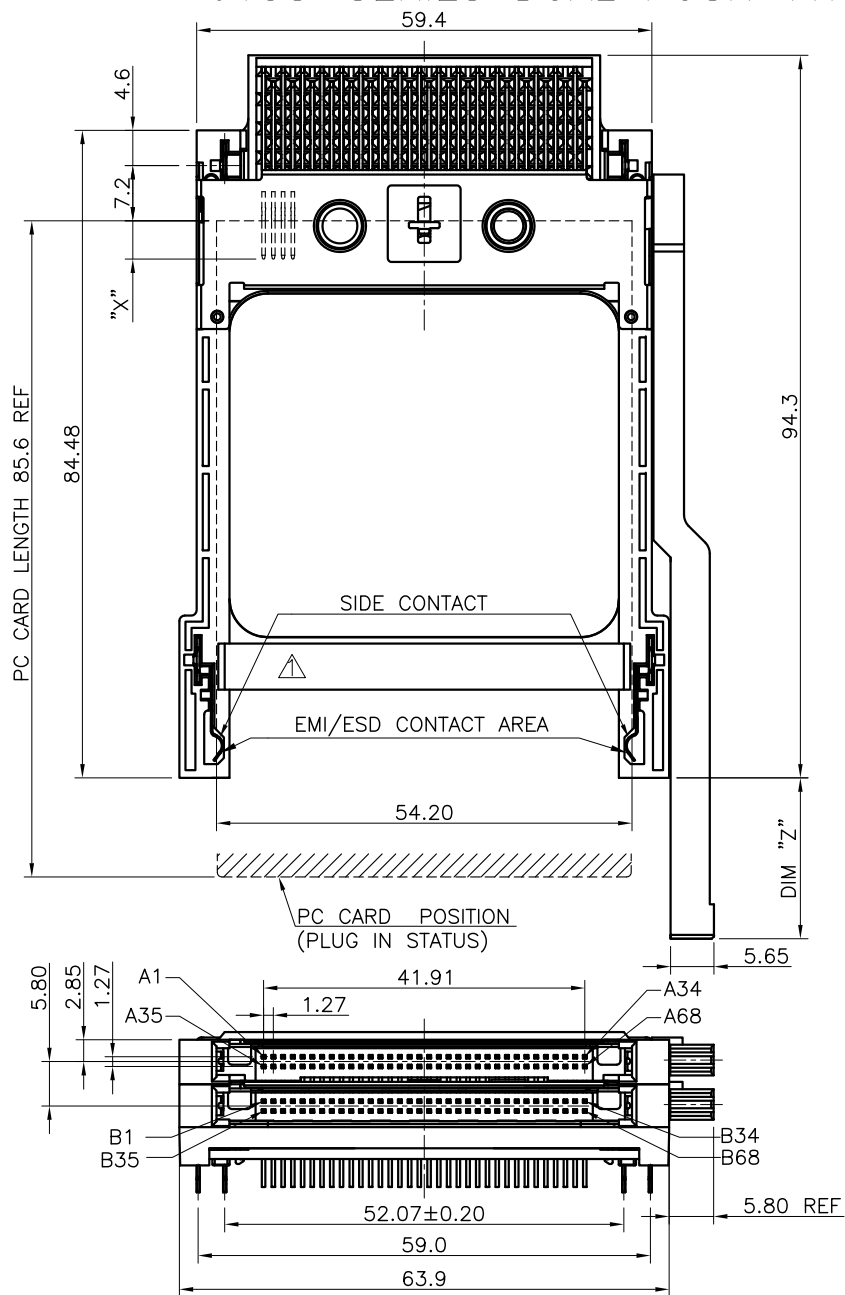


**RoHS Compliant**

6158-SERIES DUAL PUSH TYPE PCMCIA

REV	DATE	DESCRIPTION	ECN NO.	NAME
A	11.02.23	PROPOSAL		CXG
B	12.03.26	NEW RELEASE		CHENS
C	12.10.30	ADD NEW TYPE	CECR12007177	CHENS



PIN TYPE	DIM. X	PIN NO.
DETECT	3.50	A36,A67,B36,B67
GENERAL	4.25	ALL OTHER PINS
POWER	5.00	A1,A17,A34,A35,A51,A68 B1,B17,B34,B35,B51,B68

GENERAL TOLERANCE X.X = ±0.20 X.XX = ±0.15 X.X' = ±3'	WIESON TECHNOLOGIES CO., LTD WIESON		PART NO.: G6158-70XXX1XX-00	
	DRAWN BY	CXG	DRAWING NO.	G6158-70XXX1XX-00
	CHECKED BY	SKY	DRAWING SIZE	1 : 1 A4
	APPROVED BY	JIM	UNIT	mm
	SORTING NO.	WSC	PAGE	1 OF 2

**RoHS Compliant**

# 6158-SERIES DUAL PUSH TYPE PCMCIA

REV	DATE	DESCRIPTION	ECN NO.	NAME
A	11.03.01	PROPOSAL		CXG
B	12.03.26	NEW RELEASE		CHENS
C	12.10.30	△ ADD NEW TYPE	CECR12007177	CHENS

**NOTES;**

**1.MATERIAL:**

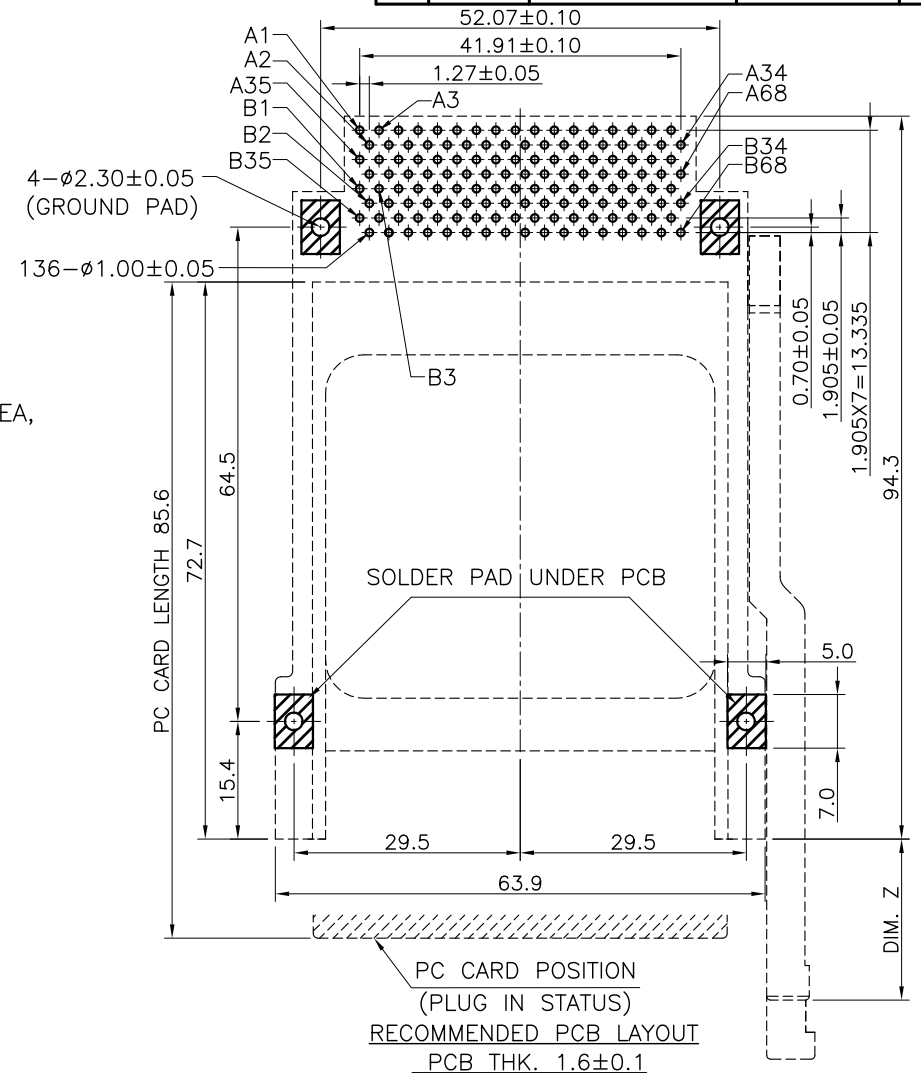
- HOUSING: THERMOPLASTIC UL94V-0,BLACK.
- LOCATE: THERMOPLASTIC UL94V-0,BLACK.
- PUSH BAR: THERMOPLASTIC UL94V-0,BLACK.
- BOARD LOCK: COPPER ALLOY
- SIDE CONTACT: COPPER ALLOY
- TERMINAL: COPPER ALLOY
- EJECT: STAINLESS STEEL.
- LINK: STAINLESS STEEL.
- SHELL: STAINLESS STEEL.

**2.PLATING:**

- TERMINAL: Au PLATING ON CONTACT AREA. MATTE Sn PLATING ON SOLDER AREA, Ni UNDERPLATED OVERALL
- SIDE CONTACT: Au PLATING ON CONTACT AREA Ni UNDERPLATED OVERALL
- BOARD LOCK: Sn PLATING ON SOLDER AREA, Ni UNDERPLATED OVERALL

**3.ORDER INFORMATION: G6158-70 X X X 1 X X -00**

- |               |               |                                       |
|---------------|---------------|---------------------------------------|
| 0: RIGHT PUSH | 1: DIM Z=5mm  | TERMINAL: Au PLATED (ON CONTACT AREA) |
| 1: LEFT PUSH  | 2: DIM Z=13mm | 0: GOLD FLASH                         |
| △2: NONE PUSH | 3: DIM Z=21mm | 1: 3u" Au                             |
|               |               | 2: 5u" Au                             |
- 
- |         |                   |
|---------|-------------------|
| VOLTAGE | STAND OFF DIM."H" |
| 0: 3.3V | 0: H=2.2mm        |
| 1: 5V   | 1: H=5.0mm        |



GENERAL TOLERANCE	WIESON TECHNOLOGIES CO., LTD WIESON	PART NO.: G6158-70XXX1XX-00	
		DRAWN BY: CXG	DRAWING NO.: G6158-70XXX1XX-00
X.X = ±0.20	CHECKED BY: SKY	DRAWING SIZE	1 : 1 A4
X.XX = ±0.15	APPROVED BY: JIM	UNIT	mm
X.X* = ±3'	SORTING NO.: WSC	PAGE	2 OF 2