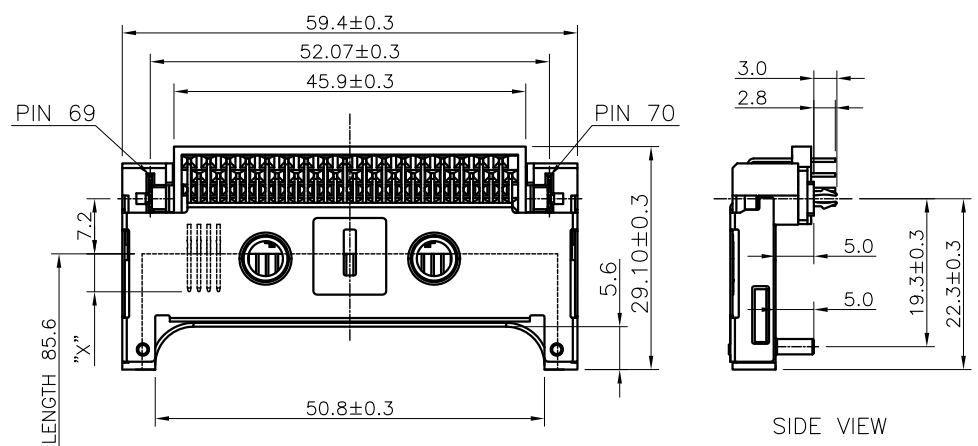


RoHS Compliant

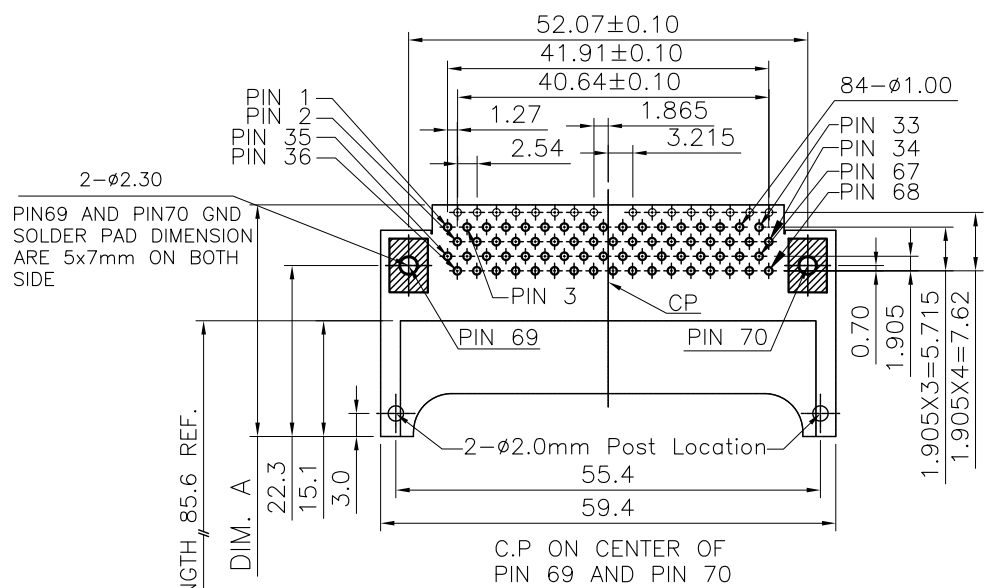
6158-SERIES PCMCIA S-SHORT TYPE

REV	DATE	DESCRIPTION	ECN NO.	NAME
A	14.10.20	PROPOSAL		PYW

A  
B  
C  
D  
E



SIDE VIEW



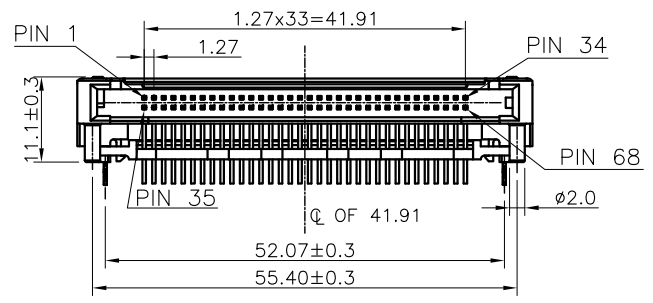
PIN69 AND PIN70 GND  
SOLDER PAD DIMENSION  
ARE 5x7mm ON BOTH  
SIDE

C.P ON CENTER OF  
PIN 69 AND PIN 70

RECOMMENDED PCB LAYOUT  
TOLERANCE ±0.05

PC CARD POSITION  
(PLUG IN STATUS)  
TOP VIEW

PC CARD POSITION  
(PLUG IN STATUS)



FRONT VIEW

PIN TYPE	DIM. X	PIN NO.
DETECT	3.50	36,67
GENERAL	4.25	ALL OTHER PINS
POWER	5.00	1,17,34,35,51,68

GENERAL TOLERANCE	WIESON TECHNOLOGIES CO., LTD WIESON	PART NO.:	G6158-74000XXX-00
X.X = ±0.20		DRAWN BY	PYW
X.XX = ±0.15		CHECKED BY	SKY
X.X' = ±3'		APPROVED BY	JIM
		UNIT	mm
		DRAWING NO.	G6158-74000XXX-00
		DRAWING SIZE	1 : 1 A4
		PAGE	1 OF 2

ISSUED

[ARTICLE:044033 V6]

RoHS Compliant

6158-SERIES PCMCIA S-SHORT TYPE

REV	DATE	DESCRIPTION	ECN NO.	NAME
A	14.10.20	PROPOSAL		PYW

NOTES:

A. MATERIAL:

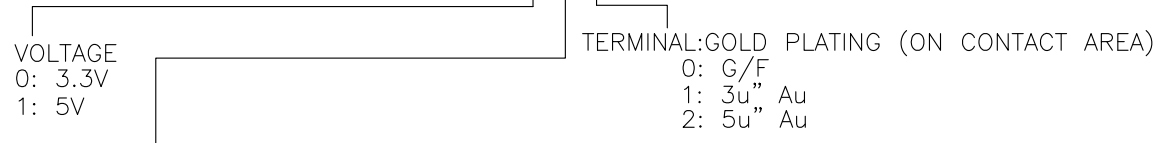
- (1)HOUSING: THERMOPLASTIC UL94V-0,BLACK.
- (2)LOCATE: THERMOPLASTIC UL94V-0,BLACK.
- (3)TERMINAL: COPPER ALLOY.
- (4)EMI SHELL: COPPER ALLOY.
- (5)NORMAL SHELL: STAINLESS STEEL.
- (6)BOARD LOCK: COPPER ALLOY.

B. PLATING:

- (1)TERMINAL: Au PLATING ON CONTACT AREA (SEE ORDER INFORMATION), Sn PLATING ON SOLDER AREA,OVERALL Ni UNDER PLATING.
- (2)BOARD LOCK: Sn ON SOLDER AREA,OVERALL Ni UNDER PLATING.
- (3)EMI SHELL: Sn PLATING ON SOLDER AREA,Ni UNDERPLATED OVERALL.

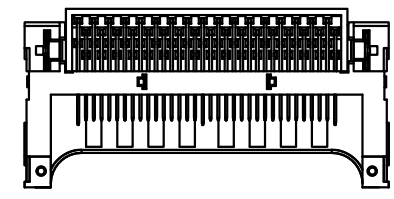
C. PACKING: TRAY

D. ORDER INFORMATION: G6158-74000X X X-00

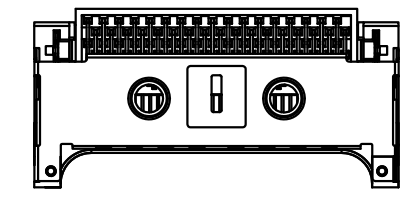


SHELL OPTION

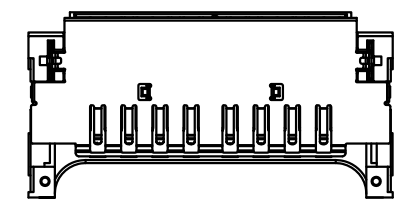
- 0: W/O NORMAL SHELL,W/O EMI SHELL,DIM.A=29.1
- 1: W/ NORMAL SHELL,W/O EMI SHELL, DIM.A=29.1
- 2: W/O NORMAL SHELL,W/ EMI SHELL, DIM.A=30.2
- 3: W/ NORMAL SHELL,W/ EMI SHELL, DIM.A=30.2



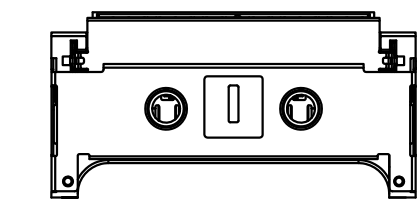
W/O NORMAL SHELL  
W/O EMI SHELL  
DIM.A=29.1



W/ NORMAL SHELL  
W/O EMI SHELL  
DIM.A=29.1



W/O NORMAL SHELL  
W/ EMI SHELL  
DIM.A=30.2



W/ NORMAL SHELL  
W/ EMI SHELL  
DIM.A=30.2

GENERAL TOLERANCE X.X = ±0.20 X.XX = ±0.15 X.X* = ±3*	WIESON TECHNOLOGIES CO., LTD <small>WIESON</small>		PART NO.: G6158-74000XXX-00	
	DRAWN BY	PYW	DRAWING NO. G6158-74000XXX-00	
	CHECKED BY	SKY	DRAWING SIZE 1 : 1 A4	
	APPROVED BY	JIM	UNIT	mm
		SORTING NO. WSC	PAGE 2 OF 2	

ISSUED

[ARTICLE:044033 V6]