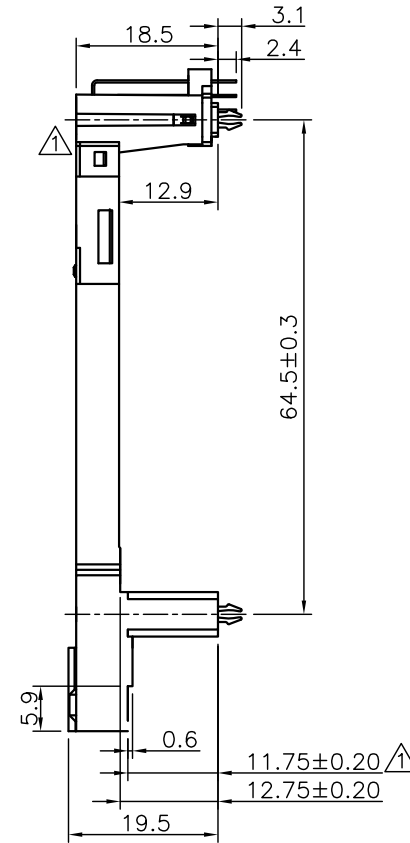
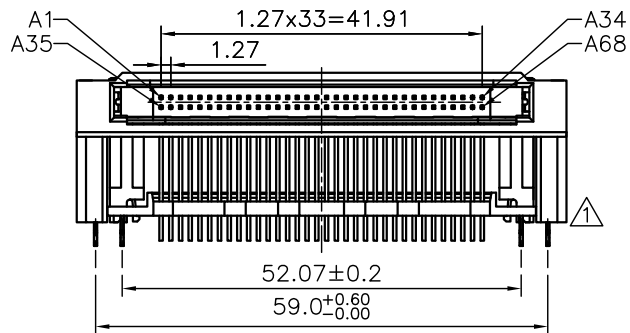
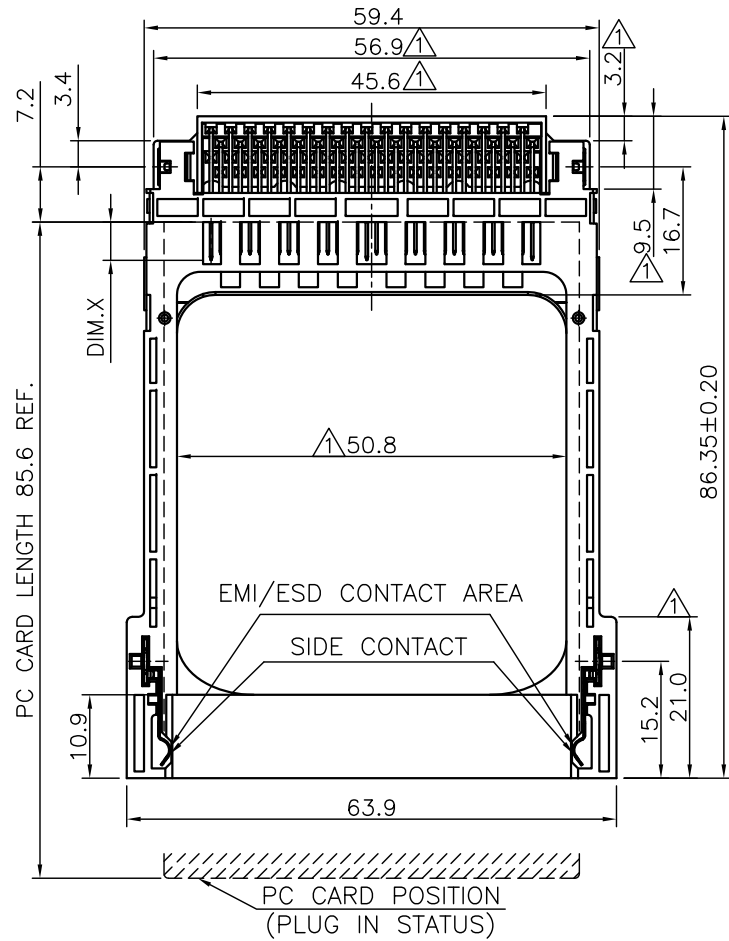


RoHS Compliant

6158-SERIES PCMCIA STANDARD TYPE NONE SHELL

REV	DATE	DESCRIPTION	ECN NO.	NAME
A	14.11.27	PROPOSAL		ZWU
A1	15.01.23	△MODIFY	CECR15008692	ZWU
B	15.08.05	NEW RELEASE		ZWU

A
B
C
D
E



<p>GENERAL TOLERANCE</p> <p>X.X = ±0.20</p> <p>X.XX = ±0.15</p> <p>X.X* = ±3'</p>	WIESON TECHNOLOGIES CO., LTD WIESON	PART NO.: G6158-8900XXX-00	
	DRAWN BY	ZWU	DRAWING NO. G6158Z-8900XXX-00
	CHECKED BY		DRAWING SIZE 1 : 1 A4
	APPROVED BY		UNIT mm
	SORTING NO.	WSC	PAGE 1 OF 2

RoHS Compliant

6158-SERIES PCMCIA STANDARD TYPE NONE SHELL

REV	DATE	DESCRIPTION	ECN NO.	NAME
A	14.11.27	PROPOSAL		ZWU
A1	15.01.23	△MODIFY	CECR15008692	ZWU
B	15.08.05	NEW RELEASE		ZWU

NOTES:

1.MATERIAL:

HOUSING: THERMOPLASTIC UL94V-0 BLACK
 LOCATE: THERMOPLASTIC UL94V-0 BLACK
 TERMINAL: COPPER ALLOY
 SIDE CONTACT: COPPER ALLOY
 BOARD LOCK: COPPER ALLOY

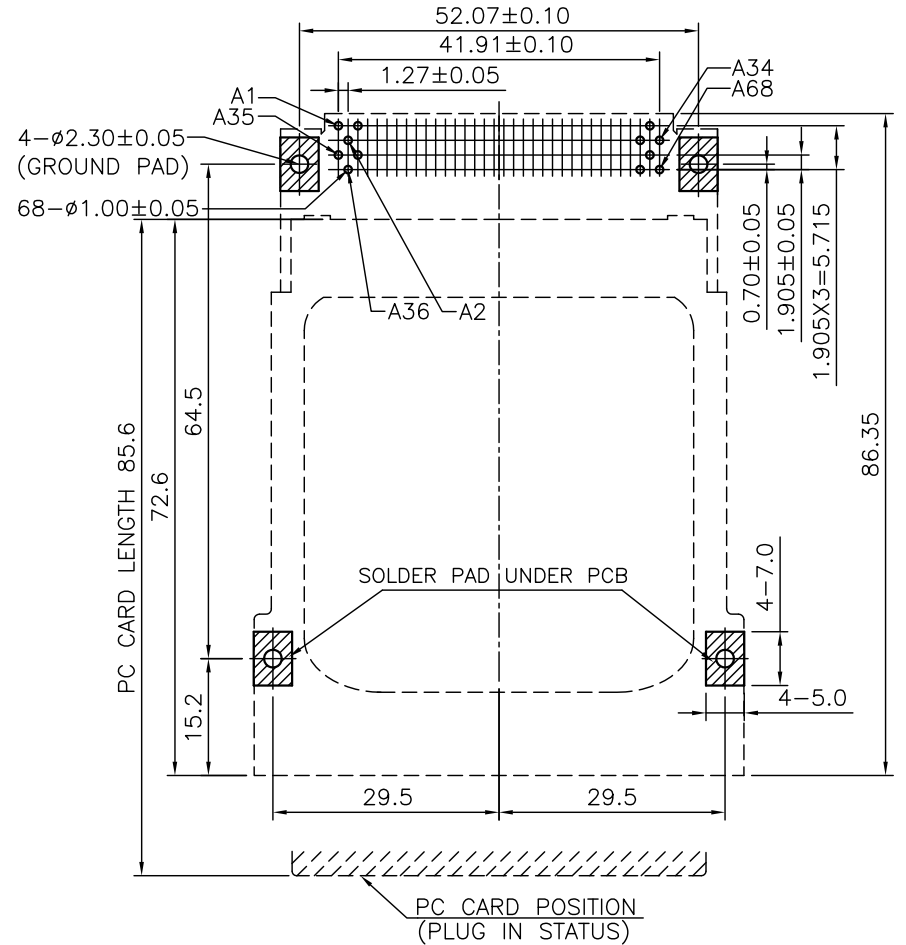
2.PLATING:

TERMINAL: SELECTIVE Au PLATING ON CONTACT AREA(SEE ORDER INFORMATION),TIN PLATING ON SOLDER TAIL AREA,Ni UNDERPLATED OVERALL,
 Ni UNDERPLATED OVERALL
 SIDE CONTACT: GOLD PLATING ON CONTACT AREA,Ni UNDERPLATED OVERALL
 BOARD LOCK: TIN PLATING ON SOLDER TAIL AREA,Ni UNDERPLATED OVERALL

3.ORDER INFORMATION:

G6158-8900XXXX-00

VOLTAGE:		TERMINAL PLATING:	
①	00:3.3V	①	00:GOLD FLASH
②	01:5.0V	②	01:3u" Au
			02:5u" Au
			03:15u" Au



PIN TYPE	DIM.X	PIN NO.
DETECT	3.50	36,67
GENERAL	4.25	ALL OTHER PINS
POWER	5.00	1,17,34,35,51,68

GENERAL TOLERANCE		WIESON TECHNOLOGIES CO., LTD		PART NO.: G6158-8900XXXX-00	
X.X	=±0.20	DRAWN BY	ZWU	DRAWING NO.	G6158Z-890000XX-00
X.XX	=±0.15	CHECKED BY		DRAWING SIZE	1 : 1 A4
X.X'	=±3'	APPROVED BY		UNIT	mm
		SORTING NO.	WSC	PAGE	2 OF 2