

G6170 SERIS SMART CARD CONN.

| REV | DATE     | DESCRIPTION    | ECN NO.      | NAME |
|-----|----------|----------------|--------------|------|
| A   | 02.05.06 | NEW RELEASE    |              | TINA |
| B   | 07.01.24 | △ DELET SPEC   | CECR07001624 | LSS  |
| C   | 07.10.10 | △ MODIFICATION | CECR07002314 | LAY  |

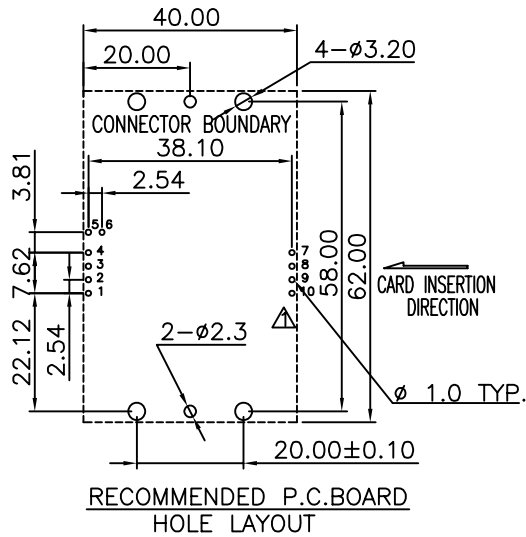
MATERIAL

HOUSING: THERMOPLASTIC (UL94V-0)  
 HOUSING COLOR: BLACK  
 TERMINAL: COPPER ALLOY  
 TERMINAL PLATING: SELECTIVE Au IN CONTACT AREA,  
 100u" Sn IN SOLDER TAIL AREA △

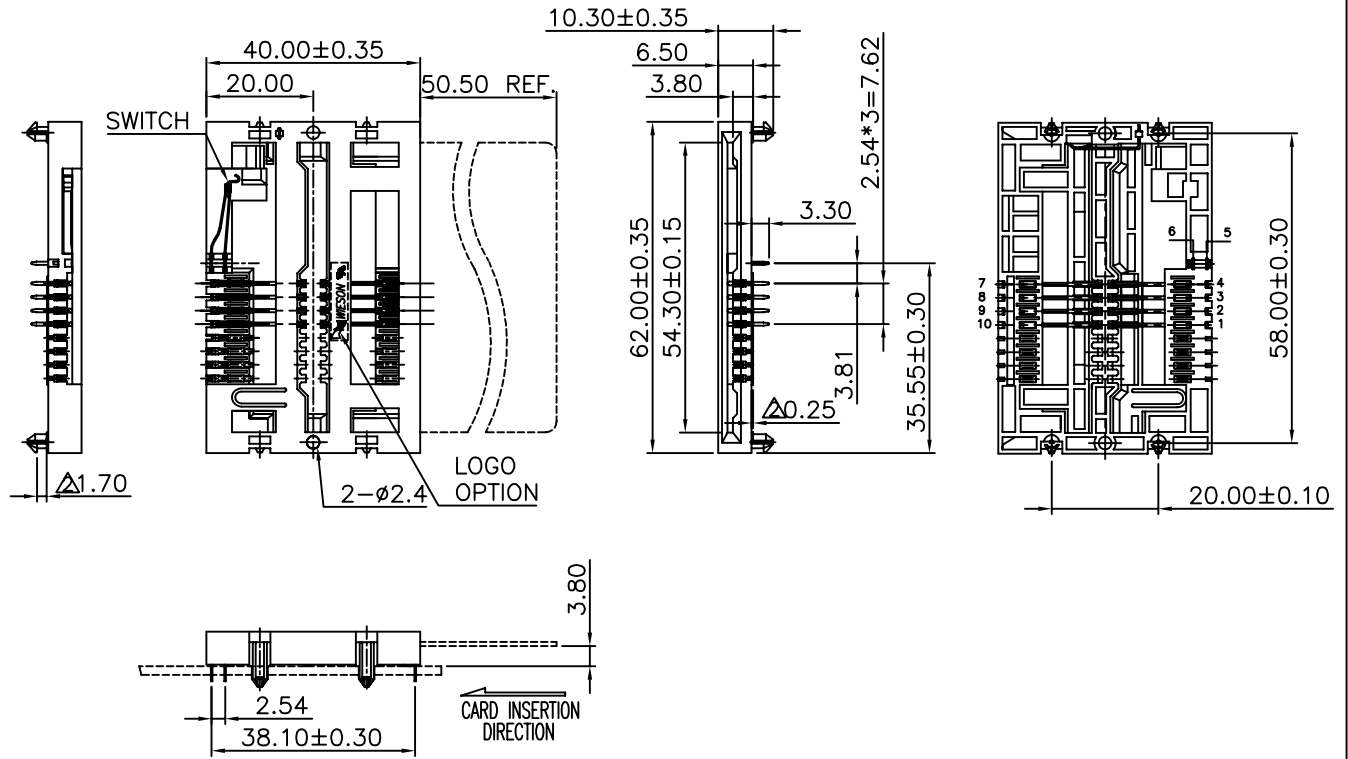
ORDER INFORMATION

G6170-13 \*\* \*\* △  
 13:8P  
 00:W/O LOGO  
 02:WIESON LOGO

10:NOMAL CLOSE,1u" Au  
 11:NOMAL CLOSE,3u" Au  
 12:NOMAL CLOSE,15u" Au  
 13:NOMAL CLOSE,30u" Au  
 14:NOMAL CLOSE,5u" Au



NOTE: 1.P.C.B LAYOUT TOLERANCE:±0.05mm  
 2.THE HOLE 2-φ2.3 CAN NEED OR NOT NEED  
 △3.RECOMMEND PC BOARD MOUNTING DIMENSIONS T=1.60mm



|  |  |            |                        |           |
|--|--|------------|------------------------|-----------|
| GENERAL TOLERANCE ±0.25mm<br>GENERAL ANGLE TOLERANCE ±3' | WIESON TECHNOLOGIES CO., LTD<br>WIESON |            | PART NO.: G6170-13**** |           |
|  | DRAWN BY                               | TINA (WST) | DRAWING NO.            | G6170-011 |
|  | CHECKED BY                             | KEVIN      | DRAWING SIZE           | A4        |
|  | APPROVED BY                            | JERRY      | UNIT                   | mm        |
|  | SORTING NO.                            | WSC △      | PAGE                   | 1 OF 1    |

ISSUED