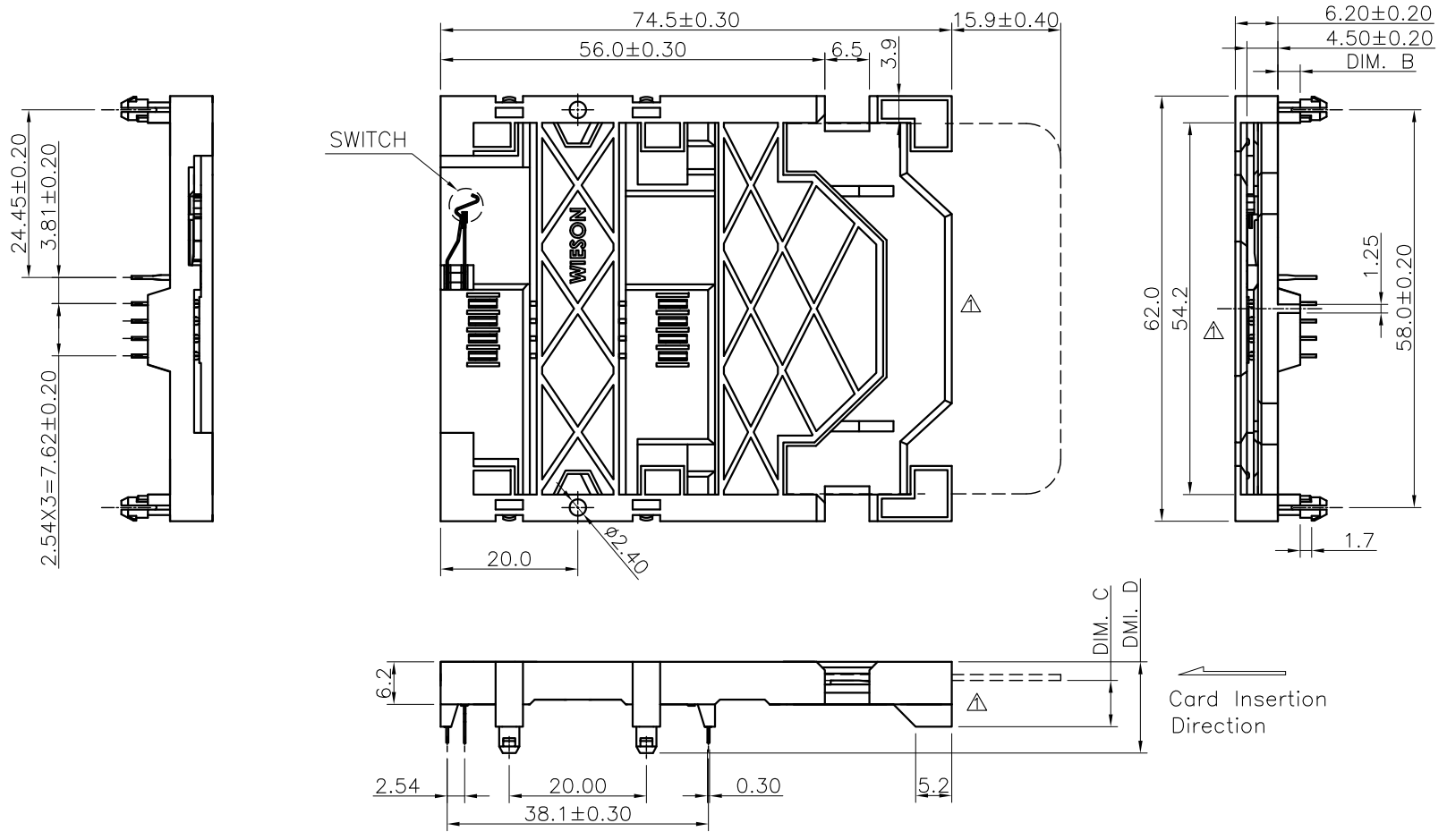


RoHS Compliant

6170 SERIES SMART CARD LONG TYPE

REV	DATE	DESCRIPTION	ECN NO.	NAME
A	14.12.05	PROPOSAL		PYW
A1	15.04.25	△MODIFY		PYW

A
B
C
D
E



	DIM. A	DIM. B	DIM. C	DIM. D
B TYPE(NORMAL)	3.0	0.3	3.8	10.35
A TYPE(HIGH RISE)	2.35	3.25	6.8	13.30

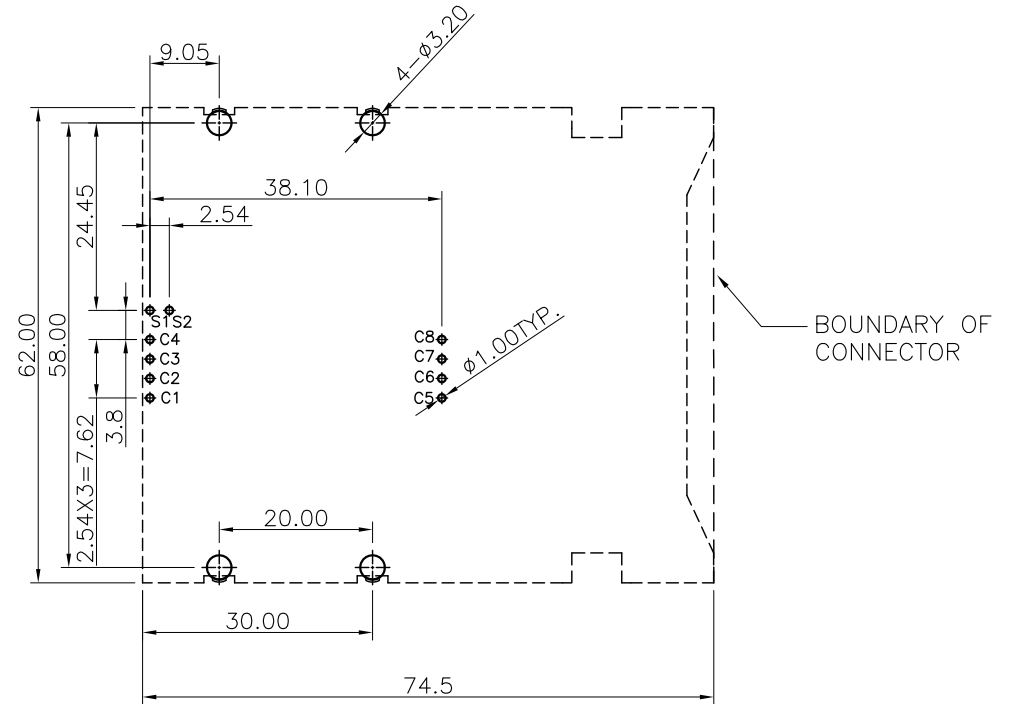
GENERAL TOLERANCE X.X = ± 0.20 X.XX = ± 0.15 X.X* = $\pm 3^*$	WIESON TECHNOLOGIES CO., LTD PART NO.: G6170-1800XXX-00
	DRAWN BY: PYW DRAWING NO.: G6170-1800XXX-00
	CHECKED BY: SKY DRAWING SIZE: 1 : 1 A4
	APPROVED BY: JIM UNIT: mm
	SORTING NO.: WSC PAGE: 1 OF 2

RoHS Compliant

6170 SERIES SMART CARD LONG TYPE

REV	DATE	DESCRIPTION	ECN NO.	NAME
A	14.12.05	PROPOSAL		PYW
A1	15.04.25	△MODIFY		PYW

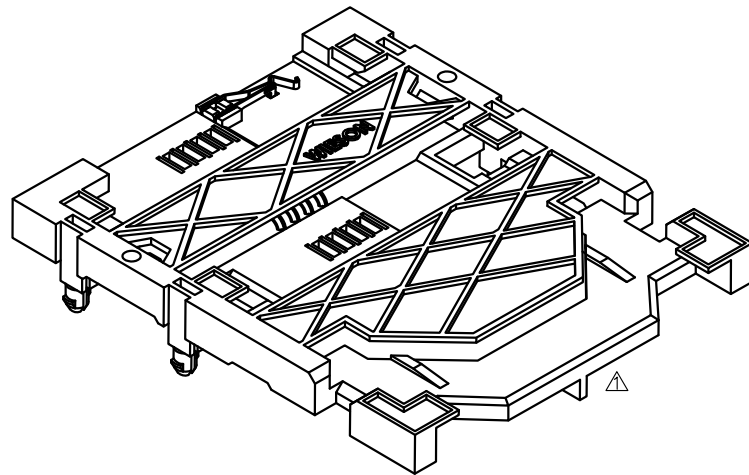
- NOTES:
- MATERIAL:
HOUSING: THERMOPLASTIC UL94V-0 BLACK
TERMINAL: COPPER ALLOY
DETECT PIN: COPPER ALLOY
 - PLATING:
TERMINAL: GOLD PLATING ON CONTACT AREA(SEE ORDER INFORMATION),100u" MIN. MATTE TIN PLATING ON SOLDER TAIL AREA,50u"min. Ni UNDERPLATING OVERALL
DETECT PIN: 1u"min. Au PLATING ON CONTACT AREA,TIN PLATING ON SOLDER TAIL AREA,Ni UNDERPLATING OVERALL
 - SWITCH TYPE: NORMAL CLOSE
 - PACKING: TRAY
 - ORDER INFORMATION:



RECOMMENDED P.C.B LAYOUT, 10 RECTANGLES ARE STAND-OFF POST POSITION, DON'T NEED HOLE ON PCB FOR STAND-OFF POST

TOLERANCE: ±0.05mm

- G6170-1800XXXX-00
- 0: W/O LOGO
 - 1: WIESON LOGO
- TERMINAL PLATING
- 01: 1u" min. Au
 - 02: 3u" min. Au
 - 03: 5u" min. Au
 - 04: 15u" min. Au
 - 05: 30u" min. Au
- 0: A TYPE(HIGH RISE)
1: B TYPE(NORMAL)



GENERAL TOLERANCE X.X = ±0.20 X.XX = ±0.15 X.X* = ±3*	WIESON TECHNOLOGIES CO., LTD WIESON	PART NO.: G6170-1800XXXX-00	
	DRAWN BY: PYW	DRAWING NO.:	G6170-1800XXXX-00
	CHECKED BY: SKY	DRAWING SIZE:	1 : 1 A4
	APPROVED BY: JIM	UNIT:	mm
	SORTING NO.:	WSC	PAGE: 2 OF 2