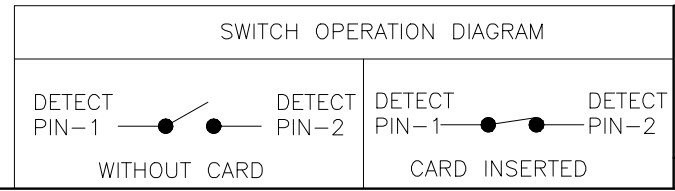
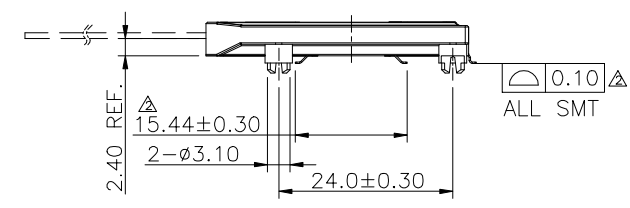
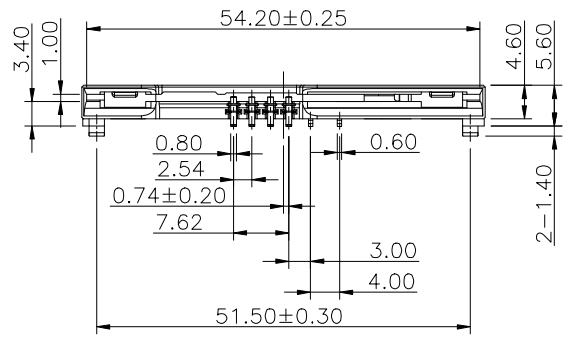
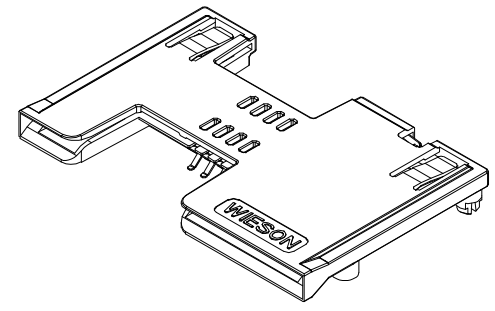
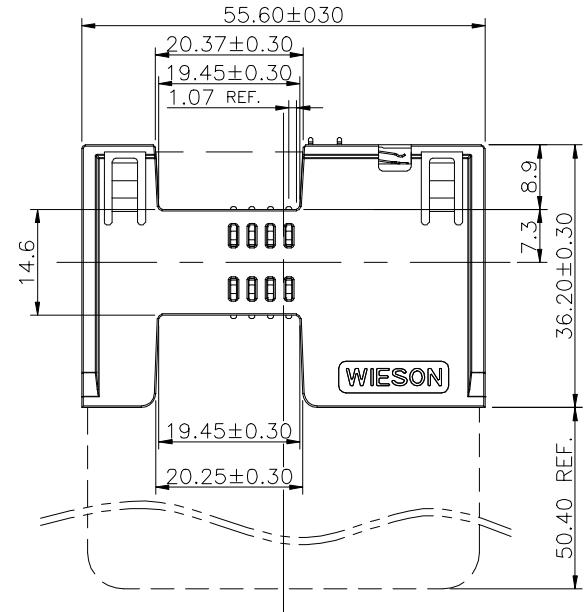


**RoHS Compliant**

6170-SERIES SMART CARD SMT TYPE

REV	DATE	DESCRIPTION	ECN NO.	NAME
A	13.01.28	PROPOSAL		JIN
A1	13.03.25	△ UPDATE		PHILIP
A2	13.09.04	△ UPDATE		JIN

A  
B  
C  
D  
E



GENERAL TOLERANCE

X.X	=±0.20
X.XX	=±0.15
X.X'	=±3'

WIESON TECHNOLOGIES CO., LTD

DRAWN BY	JIN
CHECKED BY	HSIEN
APPROVED BY	FRED LEE
SORTING NO.	WSC

PART NO.: G6170-40XXXXXX-00

DRAWING NO.	G6170-40XXXXXX-00
DRAWING SIZE	1 : 1   A4
UNIT	mm
PAGE	1 OF 2

**RoHS Compliant**

6170-SERIES SMART CARD SMT TYPE

REV	DATE	DESCRIPTION	ECN NO.	NAME
A	13.01.28	PROPOSAL		JIN
A1	13.03.25	△ UPDATE		PHILIP
A2	13.09.04	△ UPDATE		JIN

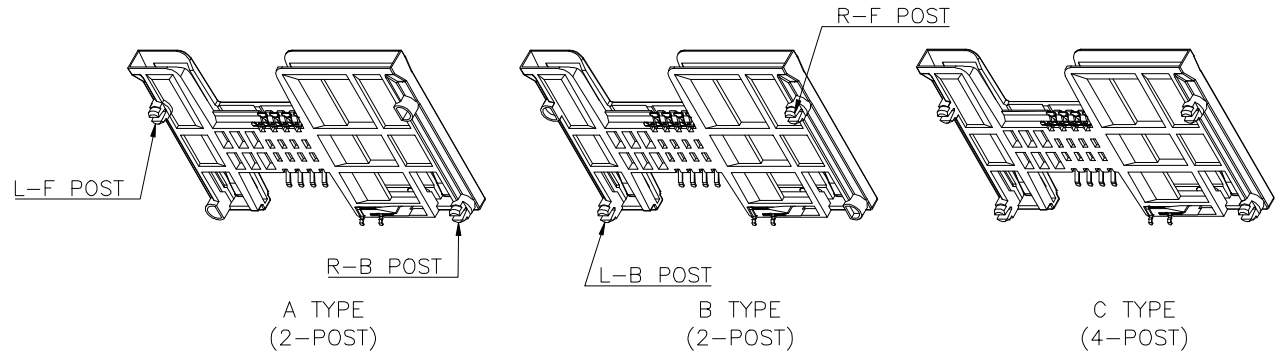
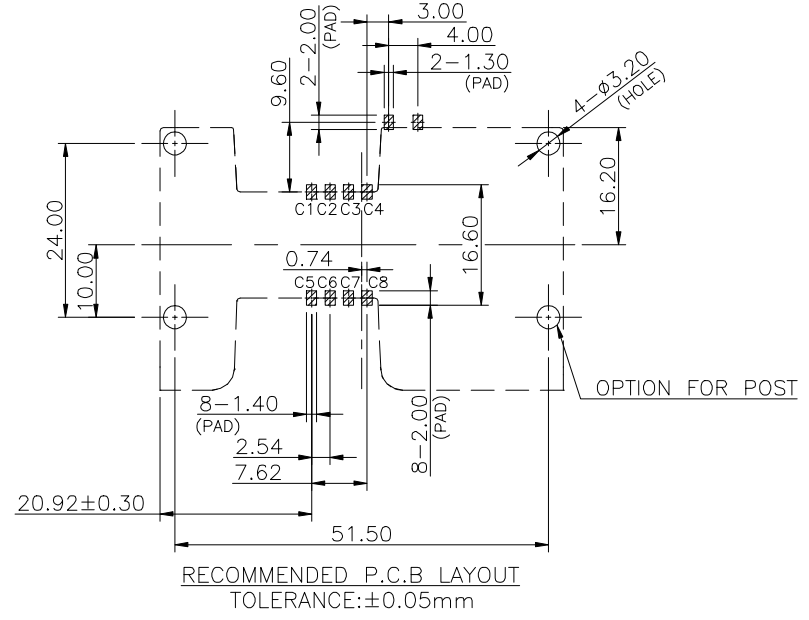
NOTE :

- 1.MATERIAL :
  - (1)HOUSING : HIGH TEMPERATURE THERMOPLASTIC,UL94V-0, COLOR:BLACK.
  - (2)TERMINAL : COPPER ALLOY.
  - (3)DETECT PIN-1 : COPPER ALLOY.
  - (4)DETECT PIN-2 : COPPER ALLOY.
- 2.PLATING :
  - (1)TERMINAL : SELECTIVE Au(SEE ORDER INFORMATION) PLATED ON CONTACT AREA, Sn PLATED ON SOLDER TAIL AREA, Ni UNDERPLATED OVERALL.
  - (2)DETECT PIN : 1u" Au PLATED ON CONTACT AREA, Sn PLATED ON SOLDER TAIL AREA, Ni UNDERPLATED OVERALL.
- 3.PACKAGE: TRAY.
- 4.ORDER INFORMATION: G6170-40 XX XX XX -00  
① ② ③

- ① { 00: W/ LOGO  
01: W/O LOGO
- ② { 00: A TYPE  
01: B TYPE  
02: C TYPE

TERMINAL PLATING:

- △ ③ { 01: 1u" Au  
02: 3u" Au  
03: 5u" Au  
04: 15u" Au



GENERAL TOLERANCE X.X = ±0.20 X.XX = ±0.15 X.X' = ±3'	WIESON TECHNOLOGIES CO., LTD	PART NO.: G6170-40XXXXXX-00	
	DRAWN BY: JIN	DRAWING NO. G6170-40XXXXXX-00	
	CHECKED BY: HSIEN	DRAWING SIZE: 1 : 1 A4	
	APPROVED BY: FRED LEE	UNIT: mm	
	SORTING NO.: WSC	PAGE: 2 OF 2	