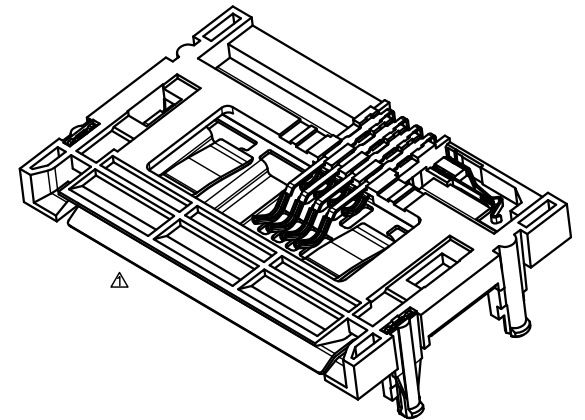
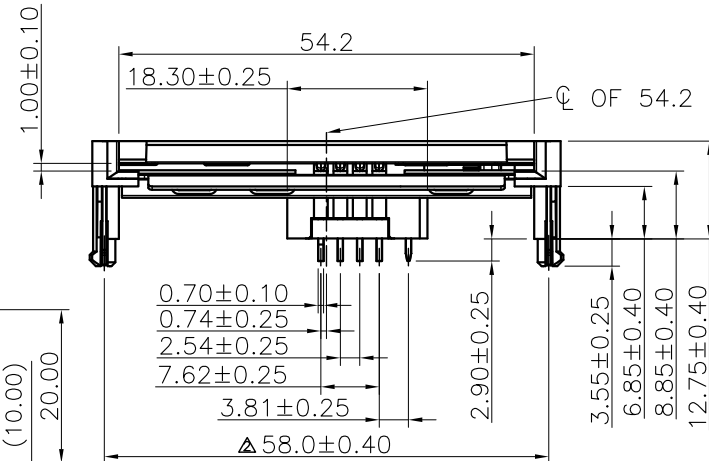
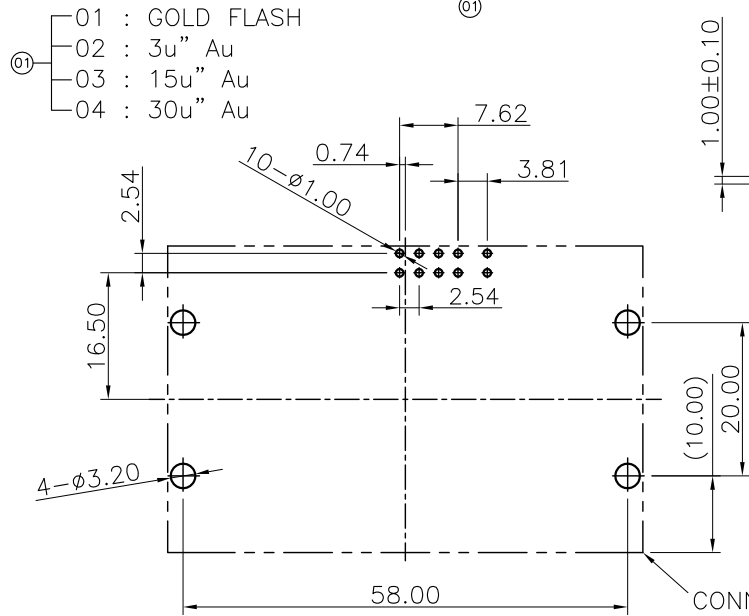
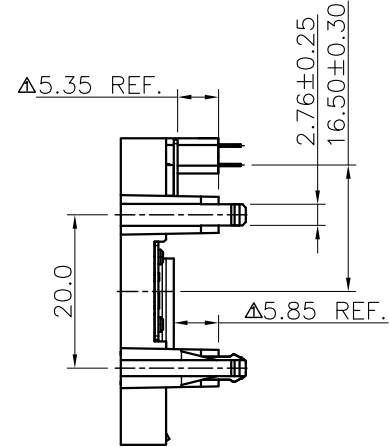
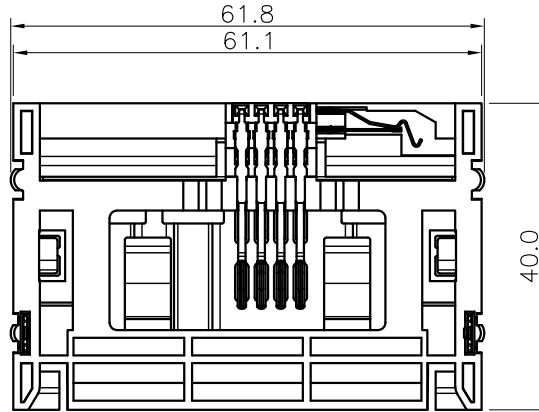


**HF Compliant**

# 6170-SERIES SMART CARD CONNECTOR (NORMAL CLOSE TYPE)

| REV | DATE     | DESCRIPTION | ECN NO.      | NAME   |
|-----|----------|-------------|--------------|--------|
| A   | 13.11.12 | PROPOSAL    |              | NATE.H |
| A1  | 14.03.21 | △MODIFY     |              | NATE.H |
| A2  | 14.07.04 | △MODIFY     | TECR14002718 | NATE.H |
| B   | 14.10.31 | NEW RELEASE |              | PYW    |

- 1.MATERIAL:  
 HOUSING : THERMOPLASTIC, UL94V-0, COLOR:BLACK  
 BACK : THERMOPLASTIC, UL94V-0, COLOR:BLACK  
 TERMINAL : COPPER ALLOY  
 DETECT PIN : COPPER ALLOY  
 LOCK : COPPER ALLOY  
 HEAT SINK : ALUMINUM ALLOY
- 2.PLATING:  
 TERMINAL : SELECTIVE Au PLATED ON CONTACT AREA  
 (SEE ORDER INFORMATION), 100u" Sn PLATED  
 ON SOLDER TAIL AREA, BOTH OVER 50u" MIN.  
 Ni UNDERPLATED OVERALL.  
 DETECT PIN : 1u" Au PLATED ON CONTACT AREA, 100u"  
 Sn PLATED ON SOLDER TAIL AREA, BOTH  
 OVERALL 50u" MIN. Ni UNDERPLATED OVERALL.  
 LOCK : BOTH OVER 100u" MIN. WELDBLE Ni UNDERPLATED  
 OVERALL.
- 3.PACKING : TRAY
- 4.ORDER INFORMATION : G6170-410000XX-H0



RECOMMEND PCB LAYOUT  
 THICKNESS : 1.6mm(TOP VIEW)  
 TOLERANCE: ±0.05mm

| GENERAL TOLERANCE |        | WIESON TECHNOLOGIES CO., LTD                                |  | PART NO.:                     |  |
|-------------------|--------|---|--|-------------------------------|--|
| X.X               | =±0.20 | DRAWN BY NATE.H<br>CHECKED BY HSIEN<br>APPROVED BY FRED LEE |  | G6170-410000XX-H0             |  |
| X.XX              | =±0.15 |   |  | DRAWING NO. G6170-410000XX-H0 |  |
| X.X*              | =±3'   |   |  | DRAWING SIZE 1 : 1 A4         |  |
| UNIT mm           |        | SORTING NO. WSC   |  | PAGE 1 OF 1                   |  |

ISSUED

[ARTICLE:044033 V6]