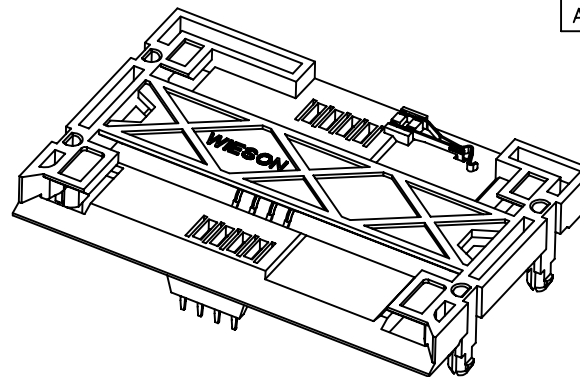
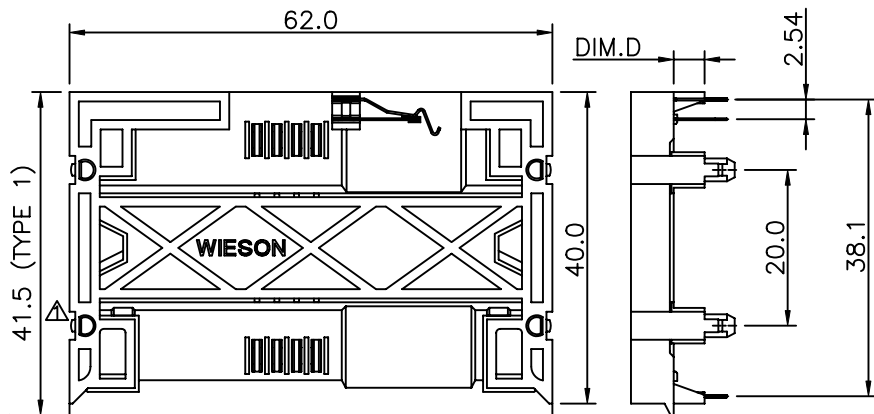


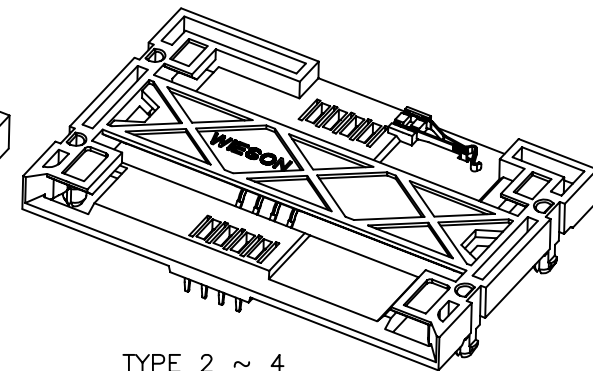
RoHS Compliant

6170-SERIES SMART CARD CONNECTOR

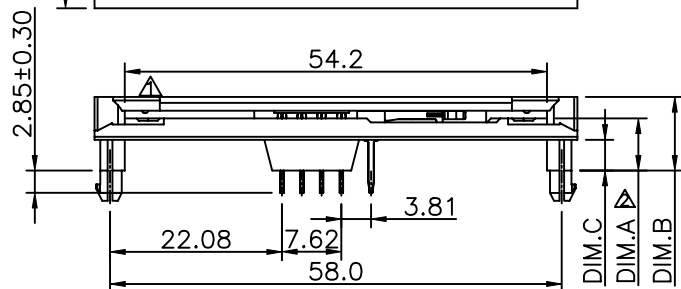
REV	DATE	DESCRIPTION	ECN NO.	NAME
A	14.01.13	PROPOSAL		HSIEN
A1	14.02.26	△ UPDATE	TECR14002672	HSIEN
A2	14.04.10	△ ADD TYPE		HSIEN



TYPE 1



TYPE 2 ~ 4



	DIM. A	DIM. B	DIM. C	DIM. D
TYPE 1	6.70±0.20	9.45±0.20	3.95±0.20	3.95 ^{+0.08}
TYPE 2	3.70±0.20	6.45±0.20	0.95±0.20	0.95 ^{+0.08}
△ TYPE 3	8.85±0.20	11.6±0.20	6.10±0.20	3.95 ^{+0.08}
△ TYPE 4	8.05±0.20	10.8±0.20	5.30±0.20	3.95 ^{+0.08}

NOTE:

- 1) MATERIAL:
 - 1.HOUSING : THERMOPLASTIC (UL94V-0),COLOR:BLACK.
 - 2.TERMINAL : COPPER ALLOY
 - 3.DETECT PIN-1 : COPPER ALLOY
 - 4.DETECT PIN-2 : COPPER ALLOY
- 2) PLATING:
 - 1.TERMINAL : SELECTIVE Au ON CONTACT AREA,100u" MIN. Sn PLATED ON SOLDER TAIL AREA (SEE ORDER INFORMATION),BOTH OVER 50u" MIN. Ni UNDERPLATED OVERALL.
 - 2.DETECT PIN : GOLD FLASH Au PLATED ON CONTACT AREA,100u" MIN. Sn PLATED ON SOLDER TAIL AREA ,BOTH OVER 50u" MIN. Ni UNDERPLATED OVERALL.

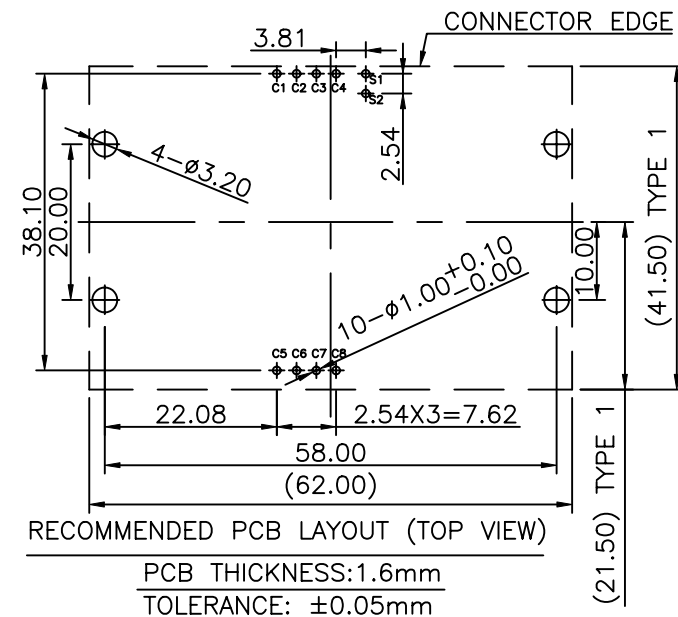
4) PACKING : TRAY

5) ORDER INFORMATION : G6170-42 XX XX XX -00

- ① 00 : TYPE 1
- 01 : TYPE 2
- 02 : TYPE 3
- △ 03 : TYPE 4

- ② 00 : W/ WIESON LOGO
- 01 : W/O WIESON LOGO

- ③ 01 : 1u" Au
- 02 : 3u" Au
- 03 : 5u" Au
- 04 : 15u" Au
- 05 : 30u" Au



GENERAL TOLERANCE		WIESON TECHNOLOGIES CO., LTD WIESON	PART NO.:	
X.X	±0.20		DRAWN BY HSIEN	G6170-42XXXXXX-00
X.XX	±0.15	CHECKED BY FRED LEE		DRAWING SIZE 1 : 1 A4
X.X*	±3°	APPROVED BY FRED LEE		UNIT mm
⊕		SORTING NO. WSC		PAGE 1 OF 1