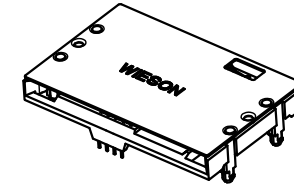
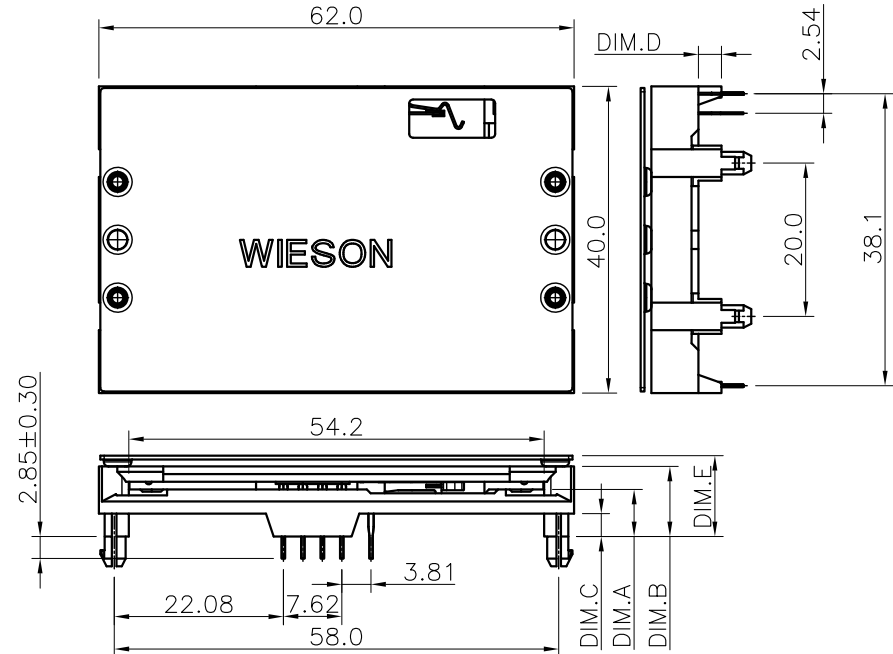


**RoHS Compliant**

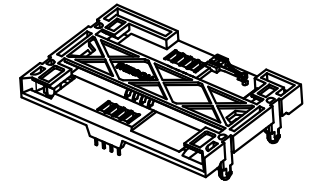
6170-SERIES SMART CARD CONNECTOR

REV	DATE	DESCRIPTION	ECN NO.	NAME
A	14.04.09	PROPOSAL		NATE
B	15.07.28	NEW RELEASE		PYW

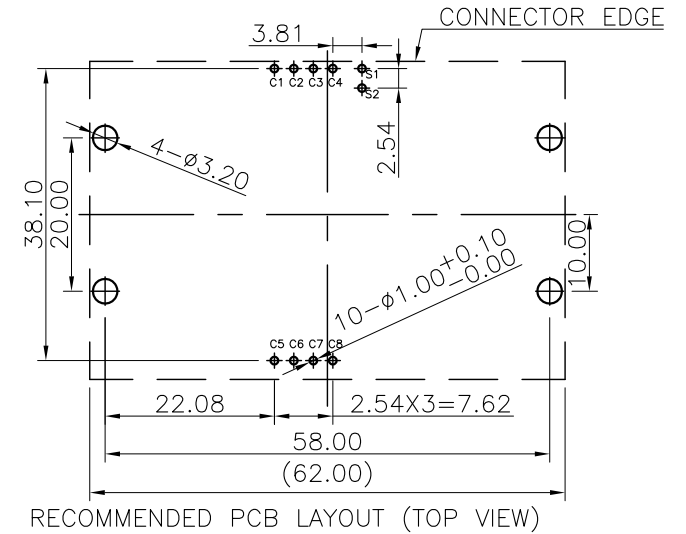
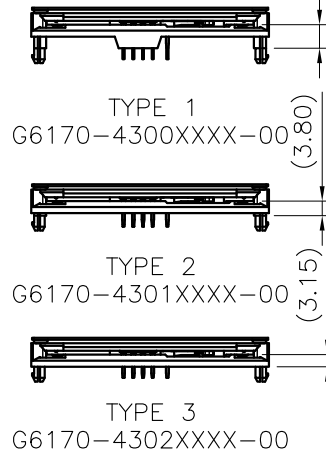
	DIM. A	DIM. B	DIM. C	DIM. D	DIM. E
TYPE 1	6.15±0.20	9.15±0.20	3.00±0.20	3.00 <sup>+0.00</sup> <sub>-0.20</sub>	10.55±0.20
TYPE 2	3.80±0.20	6.80±0.20	0.65±0.20	0.00	8.20±0.20
TYPE 3	3.15±0.20	6.15±0.20	0.00	0.00	7.55±0.20



W/ HEAT SINK  
G6170-43XXX0XX-00



W/O HEAT SINK  
G6170-43XXX1XX-00



RECOMMENDED PCB LAYOUT (TOP VIEW)  
PCB THICKNESS: 1.6mm  
TOLERANCE: ±0.05mm

- NOTE:
- MATERIAL:
    - HOUSING : THERMOPLASTIC (UL94V-0), COLOR: BLACK.
    - TERMINAL : COPPER ALLOY
    - DETECT PIN-1 : COPPER ALLOY
    - DETECT PIN-2 : COPPER ALLOY
    - HEAT SINK : ALUMINUM ALLOY
  - PLATING:
    - TERMINAL : SELECTIVE Au ON CONTACT AREA, 100u" MIN. Sn PLATED ON SOLDER TAIL AREA (SEE ORDER INFORMATION), BOTH OVER 50u" MIN. Ni UNDERPLATED OVERALL.
    - DETECT PIN : GOLD FLASH Au PLATED ON CONTACT AREA, 100u" MIN. Sn PLATED ON SOLDER TAIL AREA, BOTH OVER 50u" MIN. Ni UNDERPLATED OVERALL.
  - PACKING : TRAY
  - ORDER INFORMATION : G6170-43 XX X X XX -00

- ① — 00 : TYPE 1  
 — 01 : TYPE 2  
 — 02 : TYPE 3
- ② — 0 : W/ WIESON LOGO  
 — 1 : W/O WIESON LOGO
- ③ — 0 : W/ HEAT SINK  
 — 1 : W/O HEAT SINK

- ④ — 01 : 1u" Au  
 — 02 : 3u" Au  
 — 03 : 5u" Au  
 — 04 : 15u" Au  
 — 05 : 30u" Au

GENERAL TOLERANCE		WIESON TECHNOLOGIES CO., LTD		PART NO.:	
X.X	=±0.20	DRAWN BY NATE		G6170-43XXXXXX-00	
X.XX	=±0.15	CHECKED BY SKY		DRAWING NO. G6170-43XXXXXX-00	
X.X*	=±3'	APPROVED BY JIM		DRAWING SIZE 1 : 1 A4	
SORTING NO.		WCS		UNIT mm	
		PAGE		1 OF 1	

issued

[ARTICLE:044033 V6]