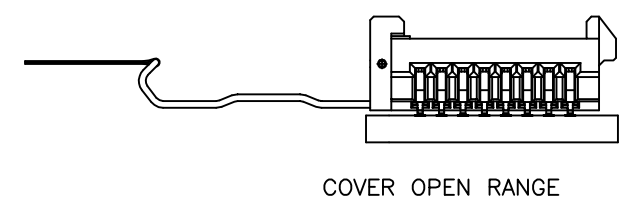
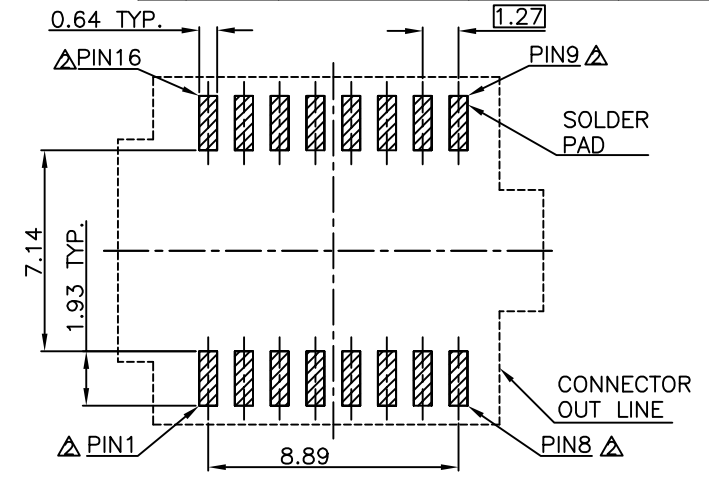
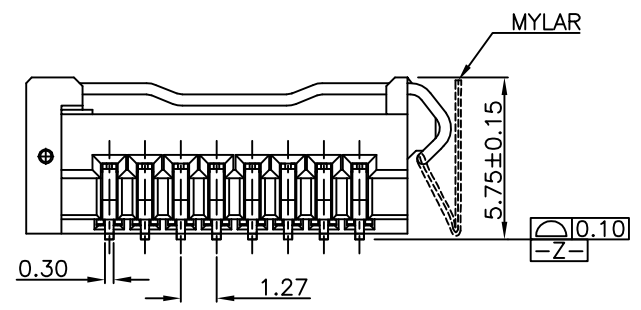
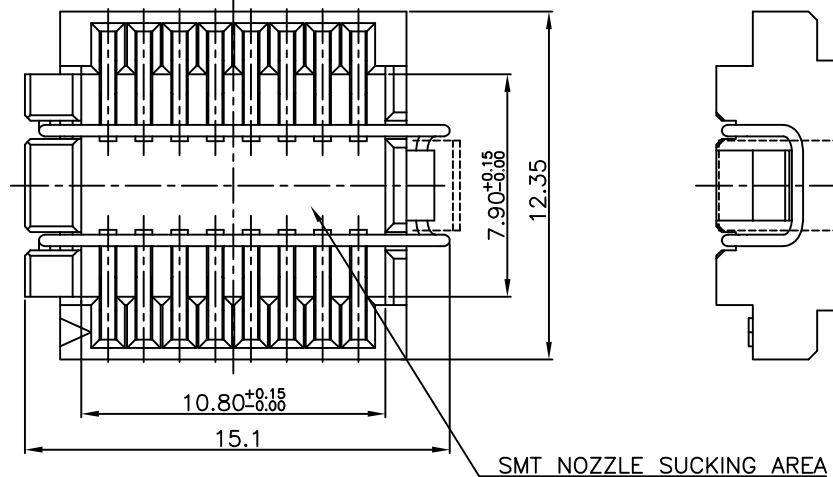


REV	DATE	DESCRIPTION	ECN NO.	NAME
A	07.08.02	NEW RELEASE		jack
B	08.05.30	△MODIFY DRAWING	CECR08003180	jack
D	08.11.05	△MODIFY DRAWING	CECR08003770	fpbing

6179-SERIES SPI SOCKET 16PIN PITCH=1.27mm

- NOTE
- MATERIAL
 - a. INSULATOR: THERMOPLASTIC(UL94V-0),WHITE. △
 - b. TERMINAL: COPPER ALLOY.
 - c. WIRE COVER: STAINLESS STEEL.
 - d. MYLAR: S392.
 - PLATING: SEE ORDER INFORMATION.
 - ORDER INFORMATION
G6179-070000**-00

TERMINAL PLATING: 01=100~200u" BRIGHT Sn
 △ 02=100~200u" MATTE Sn



GENERAL TOLERANCE		WIESON TECHNOLOGIES CO., LTD		PART NO.: G6179-070000**-00	
X.X	=±0.20	DRAWN BY	jack	DRAWING NO.	G6179-070000XX-00
X.XX	=±0.10	CHECKED BY	KEVIN	DRAWING SIZE	4 : 1 A4
X.X*	=±3*	APPROVED BY	JERRY	UNIT	mm
⊕		SORTING NO.	WSC	PAGE	1 OF 1

ISSUED

[ARTICLE:044033 V5]