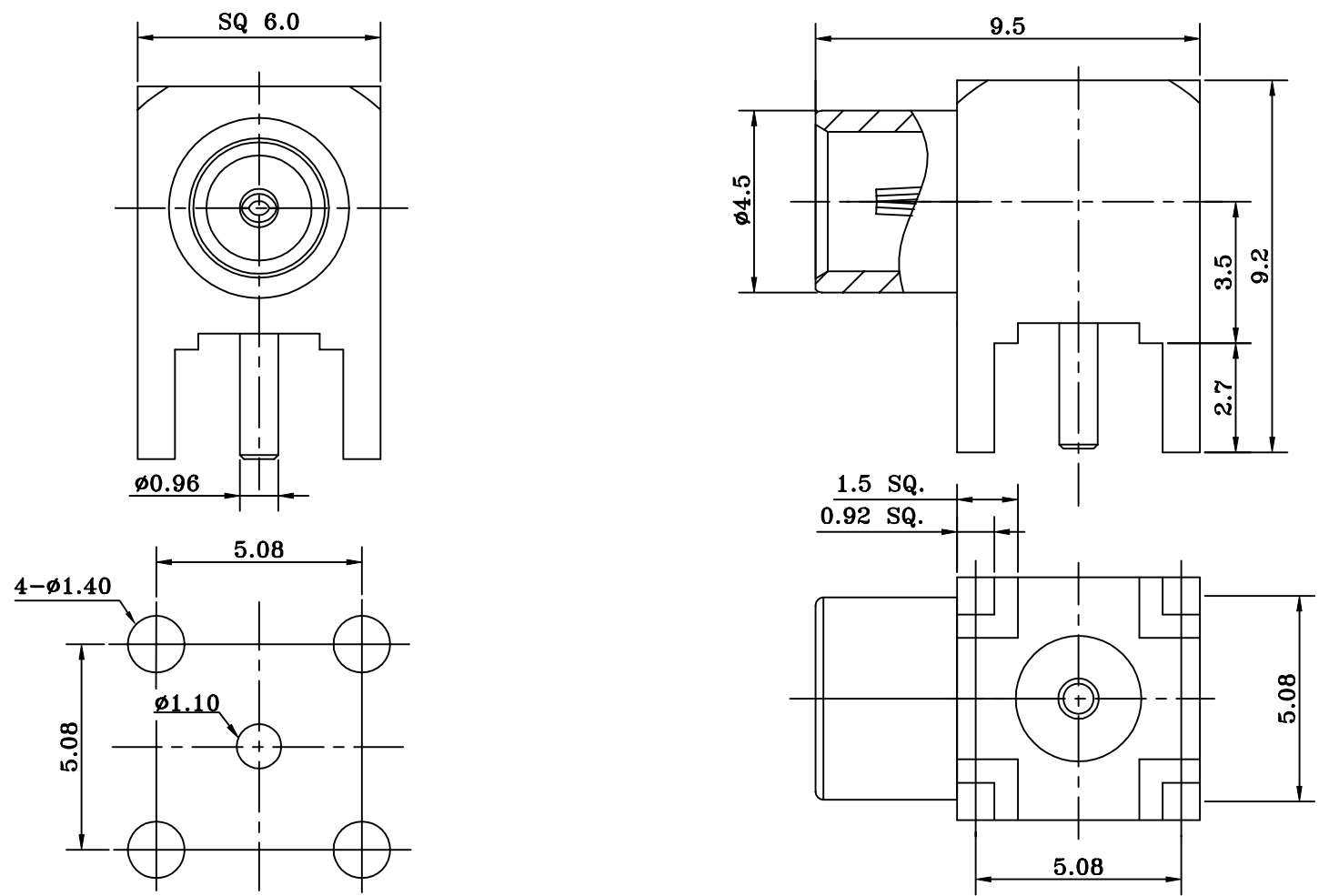


REV	DATE	DESCRIPTION	ECN NO.	NAME
A	06.01.17	NEW RELEASE		James

G7129 SERIES MCX JACK R/A FOR PCB MOUNT (75 OHM)



NOTE:P.C.B LAYOUT TOLERANCE: ±0.05mm.

NO.	DESCRIPTION	MATERIAL	FINISH	Q'TY
3	INSULATOR	TEFLON		1
2	CONDUCTOR	BECU	GOLD PLATED 10u"	1
1	BODY	BRASS	GOLD PLATED	1

GENERAL TOLERANCE ± 0.25 mm GENERAL ANGLE TOLERANCE ±3°	WIESON TECHNOLOGIES CO., LTD WIESON		PART NO.: G7129-410300	
	DRAWN BY	James (WST)	DRAWING NO.	G7129-410300
	CHECKED BY	WEN	DRAWING SIZE	A3
	APPROVED BY	LEO	UNIT	mm
	SORTING NO.	TC0015 (WST)	PAGE	1 OF 1

ISSUED