
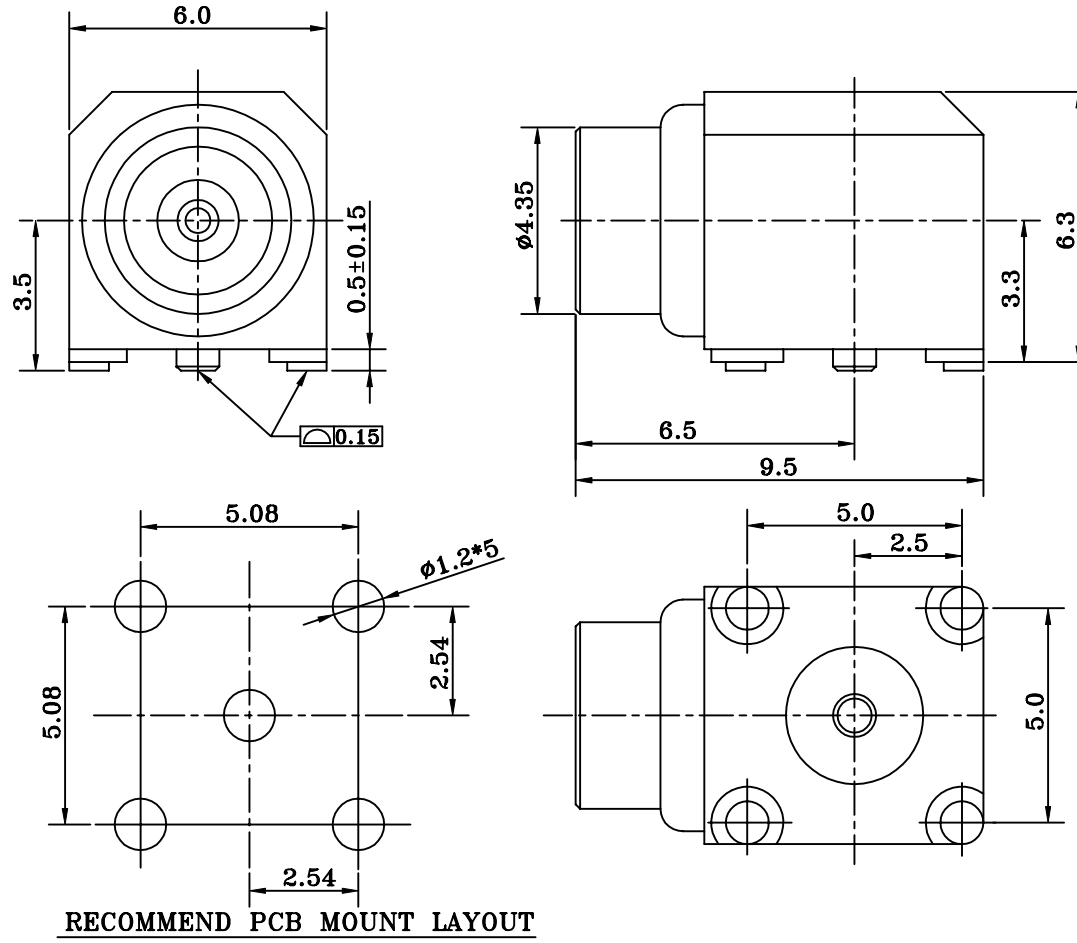


REV	DATE	DESCRIPTION	ECN NO.	NAME
A	06.03.08	NEW RELEASE		James
B	06.05.15	Modify BOM 	TECR06001606	James


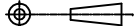
G7129 SERIES MCX JACK R/A FOR PCB MOUNT (50 ohm)



NOTE:  
1. Coplanarity : 0.15mm

RECOMMEND PCB MOUNT LAYOUT

5	FEMALE INSULATOR	TEFLON		1
4	FEMALE INSULATOR	TEFLON		1
3	BODY	BRASS	NICKEL	1
2	BODY	ZINC ALLOY	Electroless Nickel 	1
1	FEMALE CONDUCTOR	BEUC	GOLD 10U"	1
NO.	NAME	MATERIAL	FINISH	Q'TY

GENERAL TOLERANCE ± 0.25 mm	WIESON TECHNOLOGIES CO., LTD 	PART NO.: G7129-430302	
		DRAWN BY James (WST)	DRAWING NO. G7129-430302
GENERAL ANGLE TOLERANCE ± 3°	CHECKED BY WEN	DRAWING SIZE	A3
	APPROVED BY LEO	UNIT	mm
	SORTING NO. TC0015 (WST)	PAGE	1 OF 1

已發行