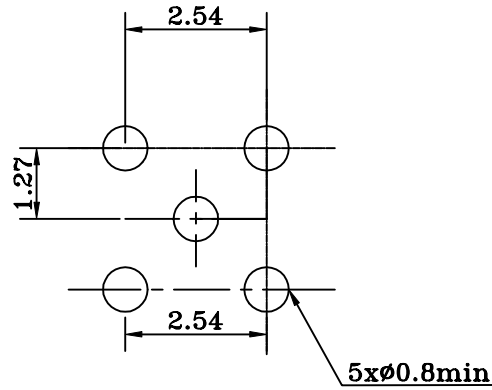
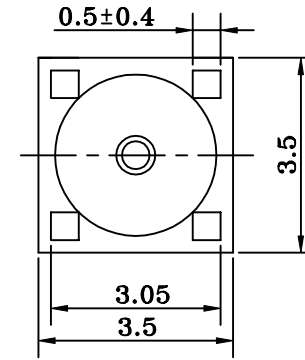
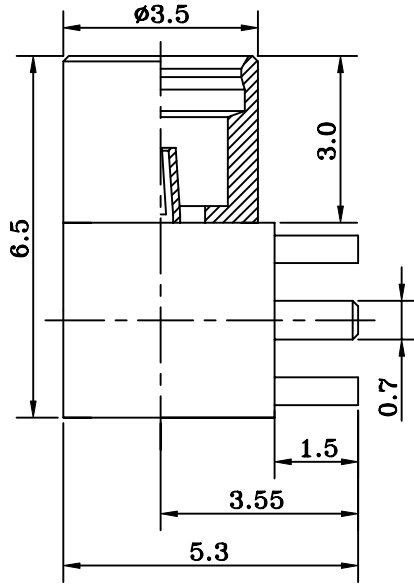


REV	DATE	DESCRIPTION	ECN NO.	NAME
A	05.12.12	NEW RELEASE		James

G7134 SERIES MMCX JACK R/A FOR PCB TYPE



PCB LAYOUT

NO.	NAME	MATERIAL	FINISH	Q'TY
3	INSULATOR	TEFLON		1
2	CONDUCTOR	BECU	GOLD 30u"	1
1	BODY	BRASS	GOLD 3~5u"	1

GENERAL TOLERANCE ± 0.25 mm GENERAL ANGLE TOLERANCE ±3°	WIESON TECHNOLOGIES CO., LTD WIESON		PART NO.: G7134-410200D	
	DRAWN BY James (WST)		DRAWING NO. G7134-410200D	
	CHECKED BY		DRAWING SIZE A3	
	APPROVED BY LEO		UNIT mm	
		SORTING NO. PB2005 (WST)		PAGE 1 OF 1

ISSUED