

**RoHS Compliant**

**FOR REFERENCE ONLY**

REV	DATE	DESCRIPTION	ECN NO.	NAME
A	11.03.14	PROPOSAL		ZPEI

7400 SERIES SINGLE PORT RJ45 JACK, DIP TYPE

**MATERIAL:**

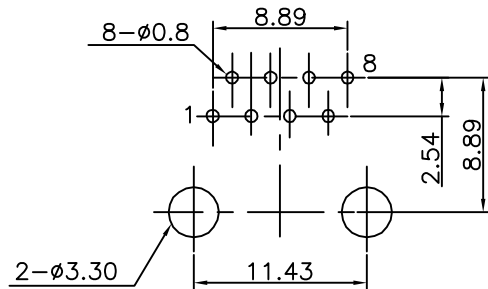
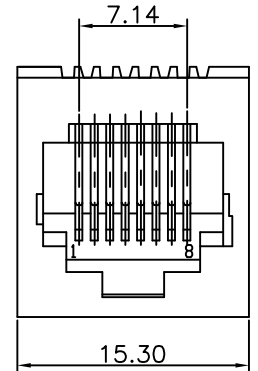
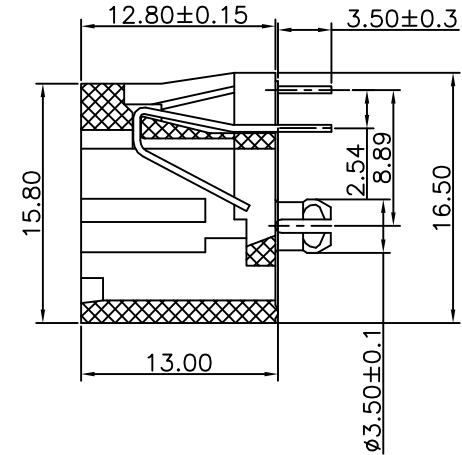
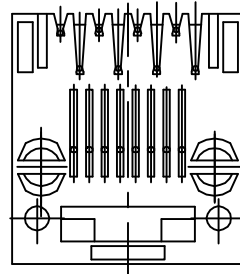
HOUSING: SEE ORDER INFORMATION(UL94V-0)  
 HOUSING COLOR: SEE ORDER INFORMATION  
 TERMINAL: PHOSPHOR BRONZE  
 TERMINAL PLATING: Full Au OVER 50u" min. Ni  
 UNDERPLATED OVERALL

ORDER INFORMATION  
 G7400-90 \*\* \*\* \*-00

00: 8P8C

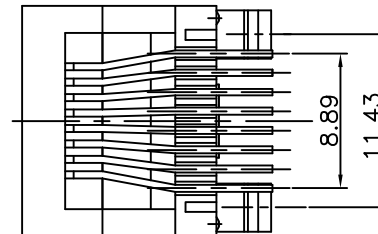
TERMINAL PLATING  
 01: GOLD FLASH

HOUSING MATERIAL&COLOR  
 00: PBT: BLACK



RECOMMENDED P.C.BOARD  
 HOLE LAYOUT

NOTE: P.C.B LAYOUT TOLERANCE: ±0.05mm



GENERAL TOLERANCE ± 0.25mm  GENERAL ANGLE TOLERANCE ± 3°	WIESON TECHNOLOGIES CO., LTD WIESON		PART NO.: G7400-90*****-00	
	DRAWN BY	ZPEI(WSC)	DRAWING NO.	G7400-90*****-00
	CHECKED BY	KEVIN	DRAWING SIZE	A4
	APPROVED BY	JERRY	UNIT	mm
SORTING NO.	CC0057(WSC)	PAGE	1 OF 1	

REFERENCE

[ARTICLE:044033 V6]