

RoHS Compliant

RJ45 JACK+USB A CONNECTOR COMBO  
(LED/TRANSFORMER/SPRING)

REV	DATE	DESCRIPTION	ECN NO.	NAME
A	09.07.28	NEW RELEASE		ZXH
B	10.01.18	△MODIFY	CECR10005080	WeiZhijun
C	10.10.27	△MODIFY	CECR10005801	ZYUAN

MATERIAL:

RJ45 JACK

HOUSING: PBT UL94V-0  
HOUSING COLOR: BLACK  
COVER: PBT UL94V-0  
COVER COLOR: BLACK  
TERMINAL: BRASS  
TERMINAL: SELECTIVE Au IN CONTACT AREA, 80u" min. Sn IN  
SOLDER TAIL AREA, BOTH OVER 30u" min. Ni UNDER  
PLATED OVERALL.

SHELL: BRASS  
SHELL: 30u" min. Ni PLATED .

USB CONNECTOR

HOUSING: PBT UL94V-0  
HOUSING COLOR: WHITE  
TERMINAL: BRASS  
ERMINAL: SELECTIVE Au IN CONTACT AREA, 80u" min. Sn IN  
SOLDER TAIL AREA, BOTH OVER 30u" min. Ni UNDER  
PLATED OVERALL.

SHELL: BRASS  
SHELL: 30u" min. Ni PLATED .

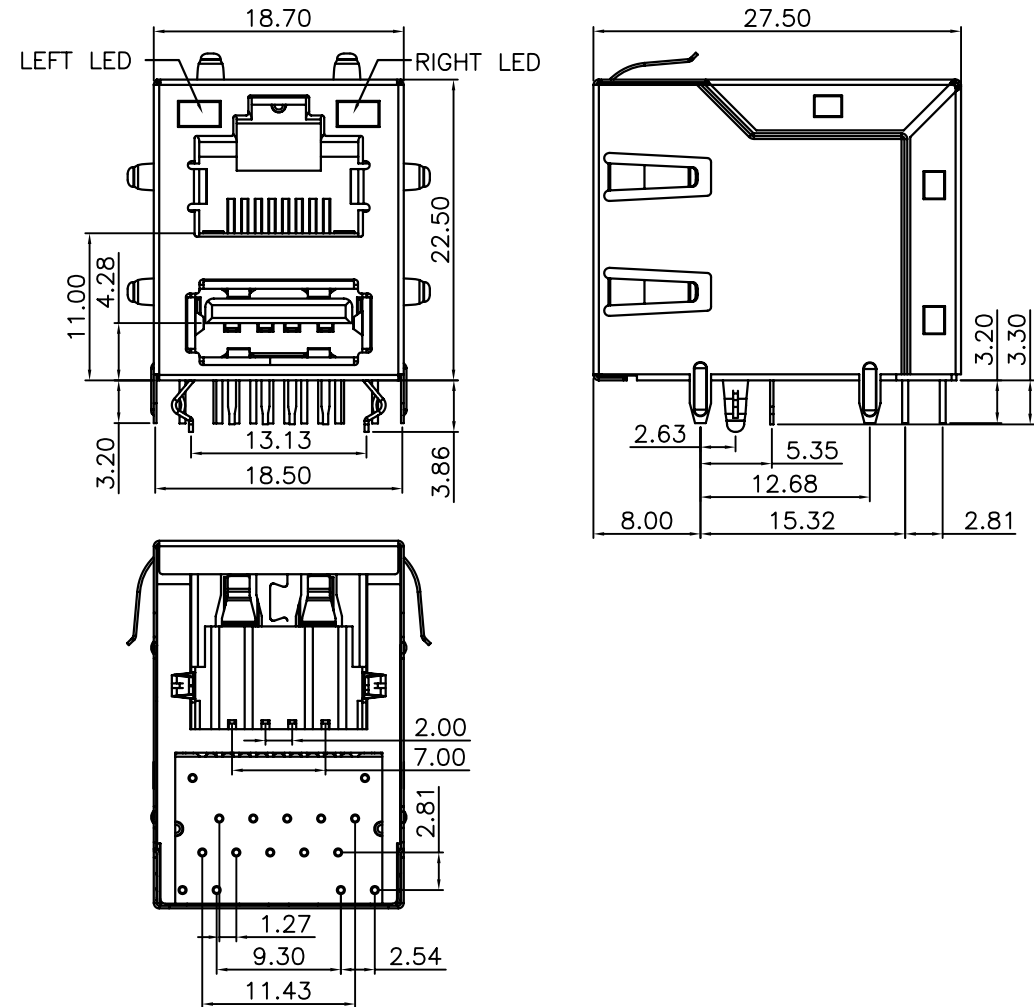
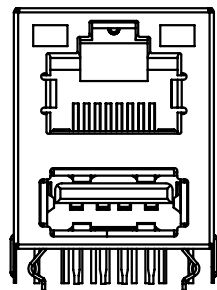
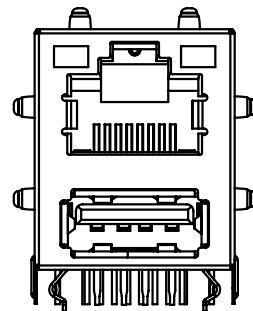


FIGURE 1: (SPRING OPTION)



WITHOUT SPRING TYPE



WITH SPRING TYPE

GENERAL TOLERANCE ±0.25mm	WIESON TECHNOLOGIES CO., LTD WIESON	PART NO.: G7412-52*****-00	
		DRAWN BY ZXH(WSC)	DRAWING NO. G7412-52*****-00
GENERAL ANGLE TOLERANCE ±3°	CHECKED BY JINKENS	DRAWING SIZE 2.5 : 1 A4	
	APPROVED BY JINKENS	UNIT mm	
⊕	SORTING NO. △CA0057(WSC)	PAGE	1 OF 4

ISSUED

RoHS Compliant

RJ45 JACK+USB A CONNECTOR COMBO  
(LED/TRANSFORMER/SPRING)

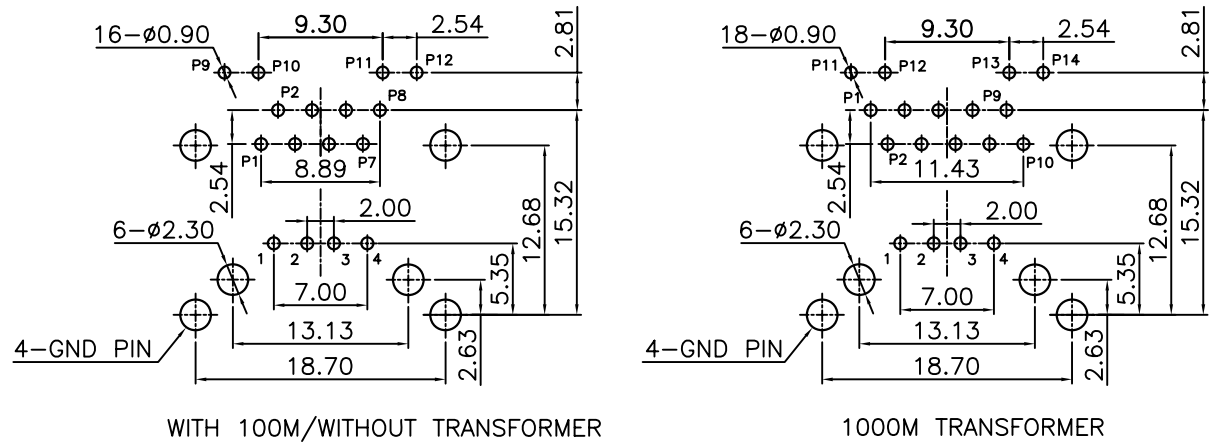
REV	DATE	DESCRIPTION	ECN NO.	NAME
A	09.07.28	NEW RELEASE		ZXH
B	10.01.18	△MODIFY	CECR10005080	WeiZhijun
C	10.10.27	△MODIFY	CECR10005801	ZYUAN

ORDER INFORMATION

G7412-52 \* \* \* \* \* -00  
①②③④⑤⑥

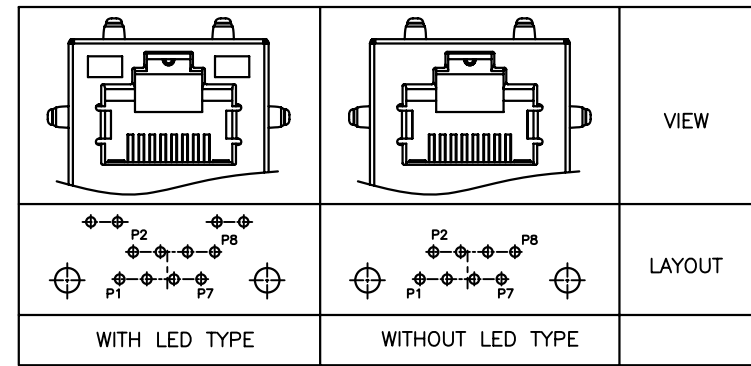
- ① HOUSING: (MATERIAL ; COLOR)  
0: RJ45: PBT ; BLACK  
USB: PBT ; WHITE
- ② TRANSFORMER  
0: WITHOUT TRANSFORMER (SEE FIGURE 2)  
1: WITH 100M TRANSFORMER (SEE FIGURE 2 AND 4)  
2: WITH 1000M TRANSFORMER (SEE FIGURE 2 AND 5)
- ③ SPRING: (SEE FIGURE 1)  
0: WITHOUT SPRING  
1: WITH SPRING
- ④ LED: (SEE FIGURE 3)  
0: WITHOUT LED  
1: WITH LED (LELT: YELLOW ; RIGHT: GREEN)
- ⑤ RJ45 PLATED: (TERMINAL ; SHELL)  
0: GOLD FLASH PLATED ; 50u" Ni PLATED  
1: 3u" Au PLATED ; 50u" Ni PLATED  
2: 6u" Au PLATED ; 50u" Ni PLATED
- ⑥ USB PLATED: (TERMINAL ; SHELL)  
1: GOLD FLASH PLATED ; 50u" Ni PLATED  
2: 3u" Au PLATED ; 50u" Ni PLATED  
3: 6u" Au PLATED ; 50u" Ni PLATED

FIGURE 2 (LAYOUT)



RECOMMENDED P.C.BOARD HOLD  
(TOLERANCE:±0.05mm) (TOP VIEW)

FIGURE 3: (LED OPTION)



GENERAL TOLERANCE ±0.25mm	WIESON TECHNOLOGIES CO., LTD WIESON	PART NO.: G7412-52*****-00	
		DRAWN BY ZXH(WSC)	DRAWING NO. G7412-52*****-00
GENERAL ANGLE TOLERANCE ±3°	CHECKED BY JINKENS	DRAWING SIZE 2.5 : 1 A4	
	APPROVED BY JINKENS	UNIT mm	
	SORTING NO. △CA0057(WSC)	PAGE 2 OF 4	

ISSUED

RoHS Compliant

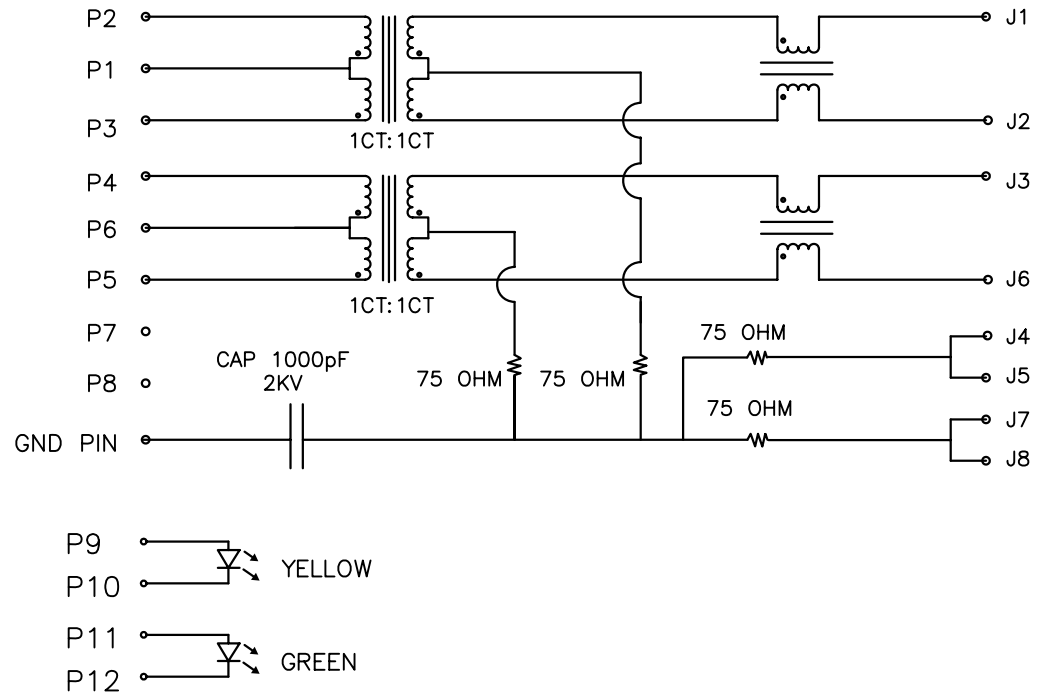
RJ45 JACK+USB A CONNECTOR COMBO  
(LED/TRANSFORMER/SPRING)

REV	DATE	DESCRIPTION	ECN NO.	NAME
A	09.07.28	NEW RELEASE		ZXH
B	10.01.18	△ MODIFY	CECR10005080	WeiZhijun
C	10.10.27	△ MODIFY	CECR10005801	ZYUAN

ELECTRICAL SPECIFICATIONS:

- 1.0 TURNS RATIO:  
(P2~P3):(J1~J2) : 1:1±3%  
(P4~P5):(J3~J6) : 1:1±3%
- 2.0 INDUCTANCE:  
(P2~P3) : 350uH MIN @ 0.1V,100KHZ, 8mA DC BIAS  
(P4~P5) : 350uH MIN @ 0.1V,100KHZ, 8mA DC BIAS
- 3.0 LEAKAGE INDUCTANCE:  
P2~P3(WITH J1 AND J2 SHORT) : 0.3uH MAX @1 MHZ  
P4~P5(WITH J3 AND J6 SHORT) : 0.3uH MAX @1 MHZ
- 4.0 INTERWINDIND: CAPACITANCE:  
(P2~P3):(J1~J2) : 30pF MAX @ 1MHZ  
(P4~P5):(J3~J6) : 30pF MAX @ 1MHZ
- 5.0 DC RESISTANCE:  
(J1~J2):(P4~P5) : 1.2 OHMS MAX
- 6.0 RETURN LOSS:  
1MHZ TO 30MHZ : -18dB MIN  
30MHZ TO 80MHZ : -12dB MIN
- 7.0 DIELECTRIC WITHSTAND:  
(P2~P3):(J1~J2) : 1500V AC  
(P4~P5):(J3~J6) : 1500V AC
- 8.0 INSERTION LOSS:  
RS=RL=100OHM 100KHZ TO 80MHZ : -1.1dB MAX △
- 9.0 RISE TIME: RS=100 OHMS AND RL=100OHMS  
OUTPUT VOLTAGE=1V PEAK : 3.0nS MAX  
PULSE WIDTH= 112nS : 3.0nS mAX
- 10.0 CROSS TALK:  
1MHZ TO 100MHZ : -35 TYP △
- 11.0 COMMON TO COMMON MODE ATTENUATION:  
30MHZ TO 100MHZ : -35 TYP △

FIGURE 4: (100M TRANSFORMER)



GENERAL TOLERANCE ±0.25mm	WIESON TECHNOLOGIES CO., LTD WIESON		PART NO.: G7412-52*****-00	
	DRAWN BY	ZXH(WSC)	DRAWING NO.	G7412-52*****-00
GENERAL ANGLE TOLERANCE ±3°	CHECKED BY	JINKENS	DRAWING SIZE	2.5 : 1 A4
	APPROVED BY	JINKENS	UNIT	mm
	SORTING NO.	△ CA0057(WSC)	PAGE	3 OF 4

ISSUED

RoHS Compliant

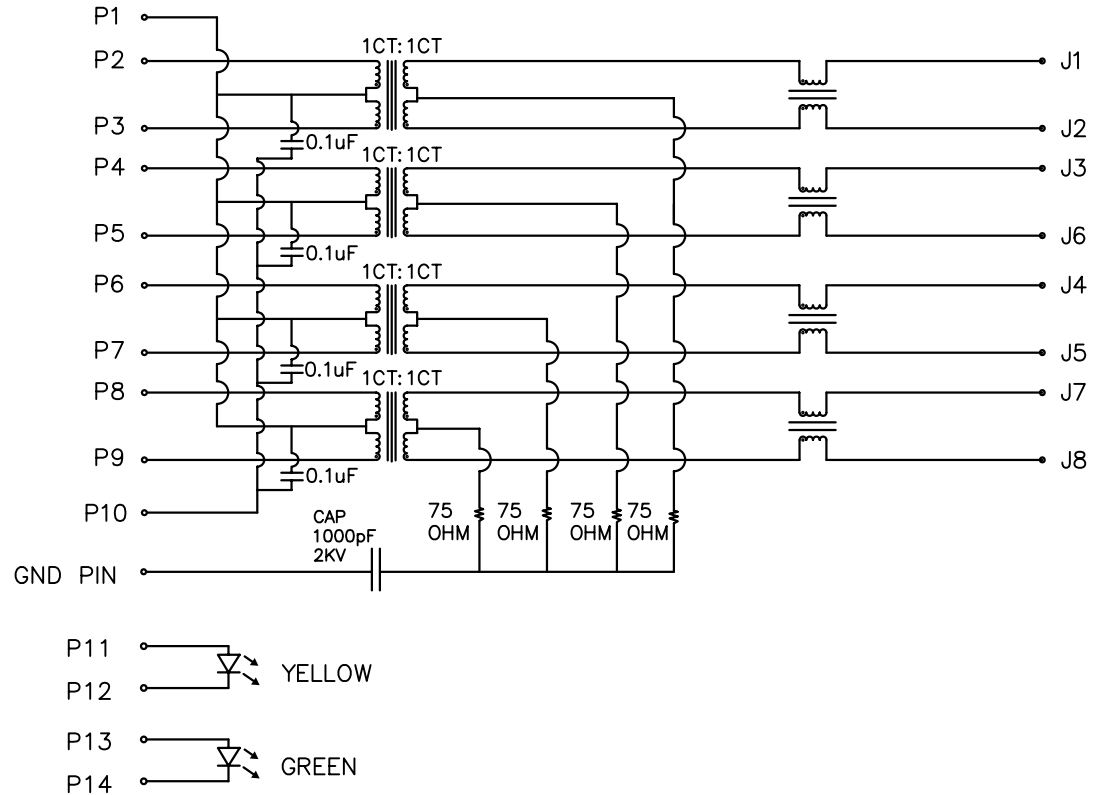
# RJ45 JACK+USB A CONNECTOR COMBO (LED/TRANSFORMER/SPRING)

REV	DATE	DESCRIPTION	ECN NO.	NAME
A	09.07.28	NEW RELEASE		ZXH
B	10.01.18	△MODIFY	CECR10005080	WeiZhijun
C	10.10.27	△MODIFY	CECR10005801	ZYUAN

ELECTRICAL SPECIFICATIONS:

- 1.0 TURN RATIO:  
 (P2~P3):(J1~J2) : 1:1±3%  
 (P4~P5):(J3~J6) : 1:1±3%  
 (P6~P7):(J4~J5) : 1:1±3%  
 (P8~P9):(J7~J8) : 1:1±3%
- 2.0 INDUCTANCE:  
 (P2~P3) : 350uH MIN @0.1V,100KHZ,8mA DC BIAS  
 (P4~P5) : 350uH MIN @0.1V,100KHZ,8mA DC BIAS  
 (P6~P7) : 350uH MIN @0.1V,100KHZ,8mA DC BIAS  
 (P8~P9) : 350uH MIN @0.1V,100KHZ,8mA DC BIAS
- 3.0 LEAKAGE INDUCTANCE:  
 P2~P3(WITH J1 AND J2 SHORT) : 0.35uH MAX @1MHZ  
 P4~P5(WITH J3 AND J6 SHORT) : 0.35uH MAX @1MHZ  
 P6~P7(WITH J4 AND J5 SHORT) : 0.35uH MAX @1MHZ  
 P8~P9(WITH J7 AND J8 SHORT) : 0.35uH MAX @1MHZ
- 4.0 INTERWINDING CAPACITANCE:  
 (P2~P3):(J1~J2) : 105pF MAX @ 1MHZ  
 (P4~P5):(J3~J6) : 105pF MAX @ 1MHZ  
 (P6~P7):(J4~J5) : 105pF MAX @ 1MHZ  
 (P8~P9):(J7~J8) : 105pF MAX @ 1MHZ
- 5.0 DC RESISTANCE:  
 (J1~J2):(J3~J6):(J4~J5):(J7~J8): 1.2 OHMS MAX
- 6.0 RETURN LOSS:  
 1MHZ TO 30MHZ : -19dB MIN  
 30MHZ TO 60MHZ : -13dB MIN  
 60MHZ TO 80MHZ : -12dB MIN  
 80MHZ TO 100MHZ : -10dB MIN
- 7.0 DIELECTRIC WITHSTAND:  
 (P2~P3):(J1~J2): 1500V AC  
 (P4~P5):(J3~J6): 1500V AC  
 (P6~P7):(J4~J5): 1500V AC  
 (P8~P9):(J7~J8): 1500V AC
- 8.0 INSERTION LOSS:  
 RS=RL=100OHM 100KHZ TO 80MHZ: -1.1dB MAX
- 9.0 CROSS TALK:  
 1MHZ TO 100MHZ: -35 TYP △
- 10.0 COMMON TO COMMON MODE ATTENUATION:  
 30MHZ TO 100MHZ: -35 TYP △

FIGURE 5: (1000M TRANSFORMER)



GENERAL TOLERANCE ±0.25mm	WIESON TECHNOLOGIES CO., LTD		PART NO.: G7412-52*****-00	
	DRAWN BY	ZXH(WSC)	DRAWING NO. G7412-52*****-00	
GENERAL ANGLE TOLERANCE ±3°	CHECKED BY	JINKENS	DRAWING SIZE 2.5 : 1 A4	
	APPROVED BY	JINKENS	UNIT	mm
⊕	SORTING NO.	△ CA0057(WSC)	PAGE	4 OF 4

ISSUED