

RoHS Compliant

RJ JACK+HDMI FEMALE CONNECTOR COMBO  
(LED/TRANSFORMER/SPRING)

REV	DATE	DESCRIPTION	ECN NO.	NAME
A	15.01.10	PROPOSAL		YXH

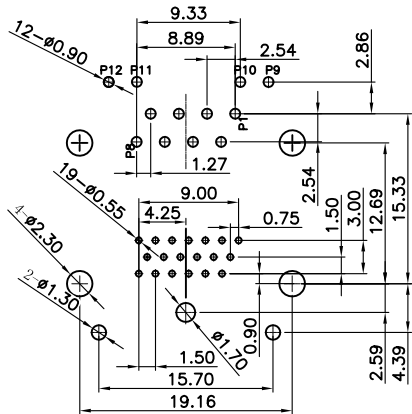
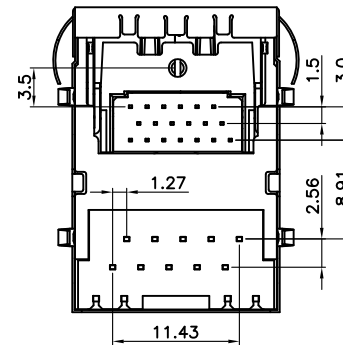
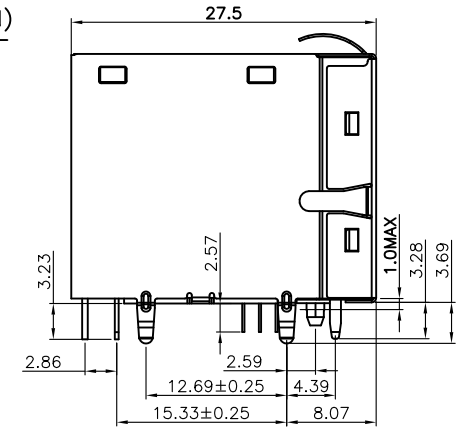
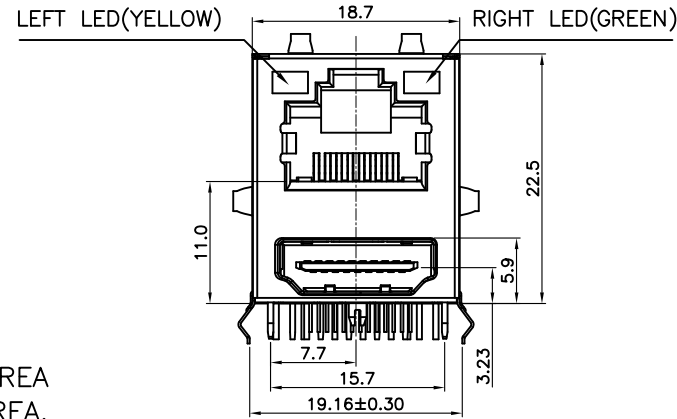
MATERIAL:

1.RJ45 JACK

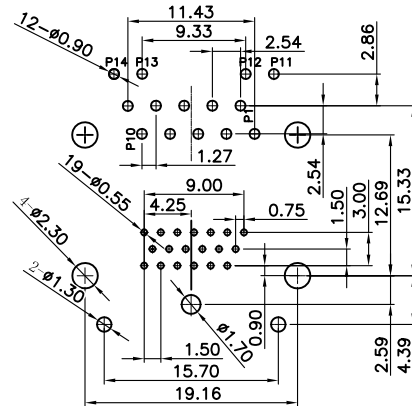
HOUSING: SEE INFORMATION (UL94V-0),BLACK.  
COVER: SEE INFORMATION (UL94V-0),BLACK.  
TERMINAL : PHOSPHOR BRONZE  
TERMINAL PLATING: SEE INFORMATION  
SHELL: STAINLESS STEEL.

2.HDMI CONNECTOR

HOUSING : LCP,BLACK.  
BACK HOUSING : LCP,BLACK.  
TERMINAL : BRASS.  
SHELL : BRASS.  
TERMINAL PLATING : SELECTIVE Au PLATED ON CONTACT AREA  
(SEE ORDER INFORMATION),Sn PLATED ON SOLDER TAIL AREA,  
BOTH OVER 50u" MIN. Ni UNDERPLATED OVERALL.  
SHELL PLATING : SOLDERABLE Ni OVERALL.



RECOMMENDED P.C.BOARD HOLD  
(TOLERANCE:±0.05mm) (TOP VIEW)  
(100M TRANSFORMER)



RECOMMENDED P.C.BOARD HOLD  
(TOLERANCE:±0.05mm) (TOP VIEW)  
(1000M TRANSFORMER)

GENERAL TOLERANCE		WIESON TECHNOLOGIES CO., LTD WIESON	PART NO.: G7412-53XXXXXX-00	
X.X	=±0.20		DRAWN BY	JIM
X.XX	=±0.15	CHECKED BY		DRAWING SIZE 1.5 : 1 A4
X.X'	=±3'	APPROVED BY		UNIT mm
		SORTING NO.	WSC	PAGE 1 OF 4

RoHS Compliant

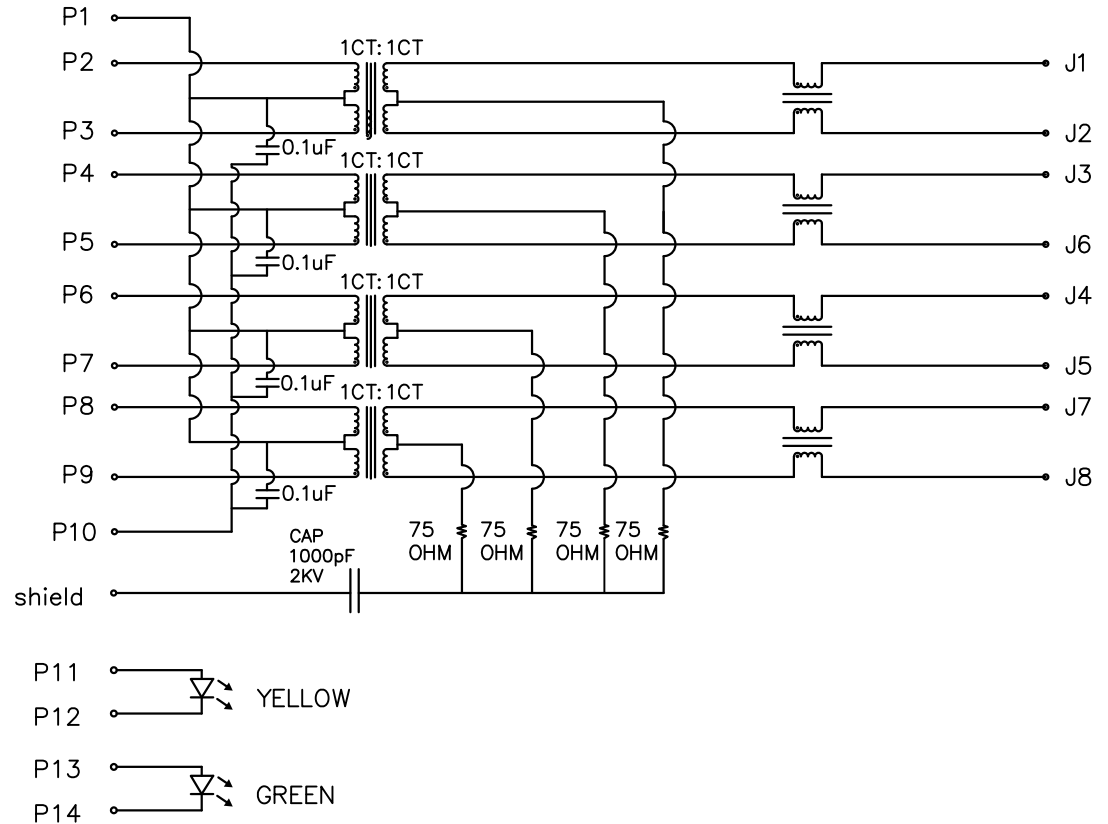
RJ JACK+HDMI FEMALE CONNECTOR COMBO  
(LED/TRANSFORMER/SPRING)

REV	DATE	DESCRIPTION	ECN NO.	NAME
A	15.01.10	PROPOSAL		YXH

ELECTRICAL SPECIFICATIONS:

- 1.0 TURN RATIO:  
 (P2~P3):(J1~J2) : 1:1±3%  
 (P4~P5):(J3~J6) : 1:1±3%  
 (P6~P7):(J4~J5) : 1:1±3%  
 (P8~P9):(J7~J8) : 1:1±3%
- 2.0 INDUCTANCE:  
 (P2~P3) : 350uH MIN @0.1V,100KHZ,8mA DC BIAS  
 (P4~P5) : 350uH MIN @0.1V,100KHZ,8mA DC BIAS  
 (P6~P7) : 350uH MIN @0.1V,100KHZ,8mA DC BIAS  
 (P8~P9) : 350uH MIN @0.1V,100KHZ,8mA DC BIAS
- 3.0 LEAKAGE INDUCTANCE:  
 P2~P3(WITH J1 AND J2 SHORT) : 0.35uH MAX @1MHZ  
 P4~P5(WITH J3 AND J6 SHORT) : 0.35uH MAX @1MHZ  
 P6~P7(WITH J4 AND J5 SHORT) : 0.35uH MAX @1MHZ  
 P8~P9(WITH J7 AND J8 SHORT) : 0.35uH MAX @1MHZ
- 4.0 INTERWINDING CAPACITANCE:  
 (P2~P3):(J1~J2) : 105pF MAX @ 1MHZ  
 (P4~P5):(J3~J6) : 105pF MAX @ 1MHZ  
 (P6~P7):(J4~J5) : 105pF MAX @ 1MHZ  
 (P8~P9):(J7~J8) : 105pF MAX @ 1MHZ
- 5.0 DC RESISTANCE:  
 (J1~J2):(J3~J6):(J4~J5):(J7~J8) : 1.2 OHMS MAX
- 6.0 RETURN LOSS:  
 1MHZ TO 30MHZ : -19dB MIN  
 30MHZ TO 60MHZ : -13dB MIN  
 60MHZ TO 80MHZ : -12dB MIN  
 80MHZ TO 100MHZ : -10dB MIN
- 7.0 DIELECTRIC WITHSTAND:  
 (P2~P3):(J1~J2): 1500V AC  
 (P4~P5):(J3~J6): 1500V AC  
 (P6~P7):(J4~J5): 1500V AC  
 (P8~P9):(J7~J8): 1500V AC
- 8.0 INSERTION LOSS:  
 RS=RL=100OHM 100KHZ TO 80MHZ: -1.1dB MAX
- 9.0 CROSS TALK:  
 1MHZ TO 100MHZ: -35dB TYP
- 10.0 COMMON TO COMMON MODE ATTENUATION:  
 30MHZ TO 100MHZ: -35dB TYP

1000M TRANSFORMER



GENERAL TOLERANCE	WIESON TECHNOLOGIES CO., LTD WIESON	PART NO.: G7412-53XXXXXX-00	
X.X = ±0.20		DRAWN BY	JIM
X.XX = ±0.15	CHECKED BY		DRAWING NO. G7412-53XXXXXX-00
X.X* = ±3'	APPROVED BY		DRAWING SIZE 1.5 : 1 A4
	SORTING NO.	WSC	UNIT mm
			PAGE 2 OF 4

RoHS Compliant

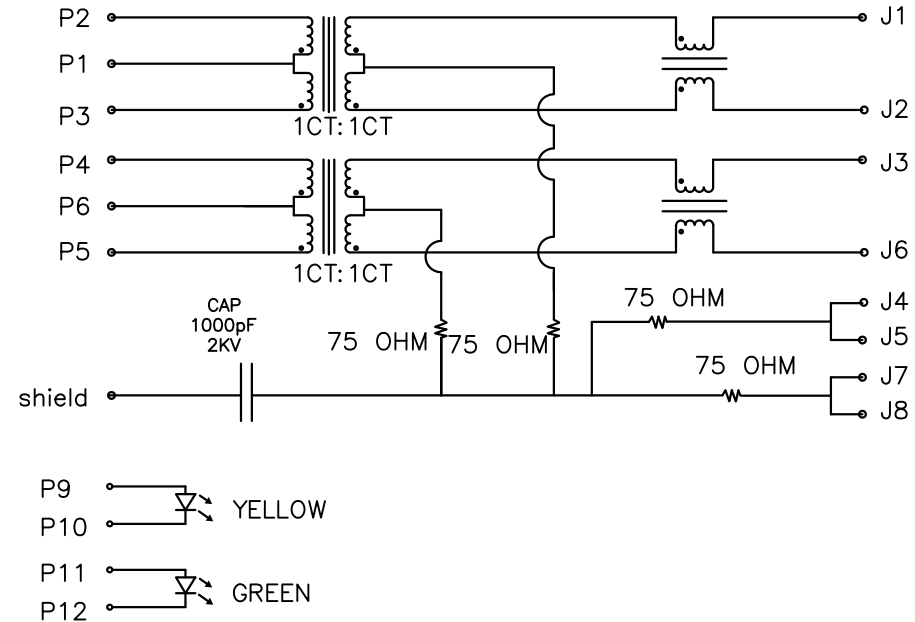
RJ JACK+HDMI FEMALE CONNECTOR COMBO  
(LED/TRANSFORMER/SPRING)

REV	DATE	DESCRIPTION	ECN NO.	NAME
A	15.01.10	PROPOSAL		YXH

ELECTRICAL SPECIFICATIONS:

- 1.0 TURNS RATIO:  
(P2~P3):(J1~J2) : 1:1±3%  
(P4~P5):(J3~J6) : 1:1±3%
- 2.0 INDUCTANCE:  
(P2~P3) : 350uH MIN @ 0.1V,100KHZ, 8mA DC BIAS  
(P4~P5) : 350uH MIN @ 0.1V,100KHZ, 8mA DC BIAS
- 3.0 LEAKAGE INDUCTANCE:  
P2~P3(WITH J1 AND J2 SHORT) : 0.3uH MAX @1 MHZ  
P4~P5(WITH J3 AND J6 SHORT) : 0.3uH MAX @1 MHZ
- 4.0 INTERWINDIND: CAPACITANCE:  
(P2~P3):(J1~J2) : 30pF MAX @ 1MHZ  
(P4~P5):(J3~J6) : 30pF MAX @ 1MHZ
- 5.0 DC RESISTANCE:  
(J1~J2):(P4~P5) : 1.2 OHMS MAX
- 6.0 RETURN LOSS:  
1MHZ TO 30MHZ : -18dB MIN  
30MHZ TO 80MHZ : -12dB MIN
- 7.0 DIELECTRIC WITHSTAND:  
(P2~P3):(J1~J2): 1500V AC  
(P4~P5):(J3~J6): 1500V AC
- 8.0 INSERTION LOSS:  
RS=RL=100OHM 100KHZ TO 80MHZ : -1.1dB MAX
- 9.0 RISE TIME: RS=100 OHMS AND RL=100OHMS  
OUTPUT VOLTAGE=1V PEAK : 3.0nS MAX  
PULSE WIDTH= 112nS : 3.0nS mAX
- 10.0 CROSS TALK:  
1MHZ TO 100MHZ : -35dB TYP
- 11.0 COMMON TO COMMON MODE ATTENUATION:  
30MHZ TO 100MHZ : -35dB TYP

100M TRANSFORMER



GENERAL TOLERANCE		WIESON TECHNOLOGIES CO., LTD		PART NO.:	
X.X	=±0.20	DRAWN BY		G7412-53XXXXXX-00	
X.XX	=±0.15	JIM		DRAWING NO.	G7412-53XXXXXX-00
X.X*	=±3'	CHECKED BY		DRAWING SIZE	1.5 : 1 A4
		APPROVED BY		UNIT	mm
		SORTING NO.		PAGE	3 OF 4
		WSC			

RoHS Compliant

RJ JACK+HDMI FEMALE CONNECTOR COMBO  
(LED/TRANSFORMER/SPRING)

REV	DATE	DESCRIPTION	ECN NO.	NAME
A	15.01.10	PROPOSAL		YXH

ORDER INFORMATION : G7412-53 \* ① \* ② \*\* ③ \* ④ \* ⑤ -00



- ① { 0 : RJ45 HOUSING MATERIAL PBT.  
1 : RJ45 HOUSING MATERIAL PA46.

- ② { 0 : WITHOUT TRANSFORMER.  
1 : WITH TRANSFORMER 100M.  
2 : WITH TRANSFORMER 1000M.

- ③ { 01 : WITH LED,WITH SPRING.  
02 : WITHOUT LED,WITH SPRING.  
03 : WITH LED,WITHOUT SPRING.  
04 : WITHOUT LED,WITHOUT SPRING.

- ④ RJ45 TERMINAL PLATING { 0: 6u"Au ON CONTACT AREA.  
1: 15u"Au ON CONTACT AREA.  
2: 30u"Au ON CONTACT AREA.

- ⑤ HDMI TERMINAL PLATING { 0: GOLD FLASH ON CONTACT AREA.  
1: 3u"Au ON CONTACT AREA.  
2: 15u"Au ON CONTACT AREA.  
3: 30u"Au ON CONTACT AREA.

GENERAL TOLERANCE X.X = ±0.20 X.XX = ±0.15 X.X* = ±3'	 WIESON TECHNOLOGIES CO., LTD		PART NO.: G7412-53XXXXXX-00	
	DRAWN BY	JIM	DRAWING NO.	G7412-53XXXXXX-00
	CHECKED BY		DRAWING SIZE	1.5 : 1   A4
	APPROVED BY		UNIT	mm
	SORTING NO.	WSC	PAGE	4 OF 4