

**RoHS Compliant**

# RJ45 JACK CONNECTOR (WITH LED/TRANSFORMER)

REV	DATE	DESCRIPTION	ECN NO.	NAME
A	13.06.03	PROPOSAL		LRP
A1	13.06.10	△ MODIFY		LRP
A2	13.06.28	△ MODIFY		LXJUN

**MATERIAL:**

HOUSING: SEE ORDER INFORMATION (UL94V-0)  
 HOUSING COLOR: SEE ORDER INFORMATION  
 INSERTER: SEE ORDER INFORMATION(UL94V-0)  
 INSERTER COLOR: SEE ORDER INFORMATION  
 TERMINAL: PHOSPHOR BRONZE  
 TERMINAL: SEE ORDER INFORMATION  
 SHELL: BRASS  
 SHELL: SEE ORDER INFORMATION

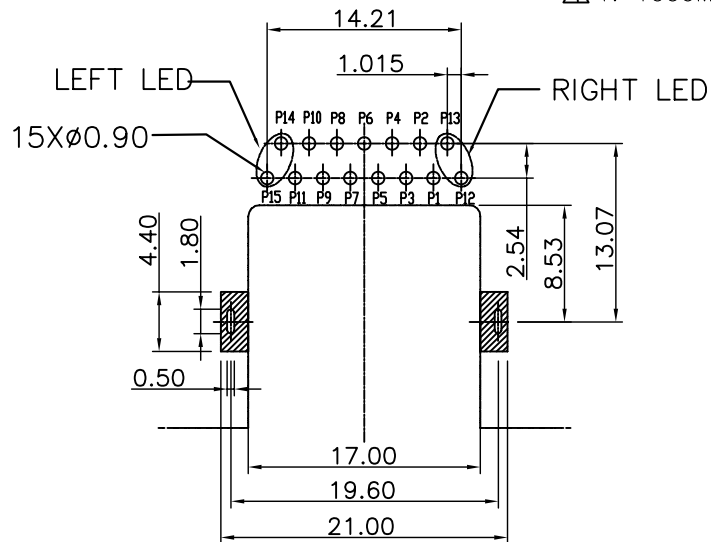
G7412-63 \*\* \* \* \*\* -00

MATERIAL HOUSING& INSERTER  
 00: PA46;BLACK&PBT;BLACK

TERMINAL PLATING:  
 01: 6u" Au

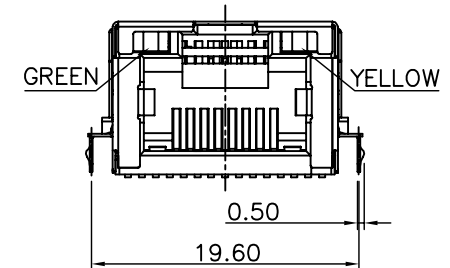
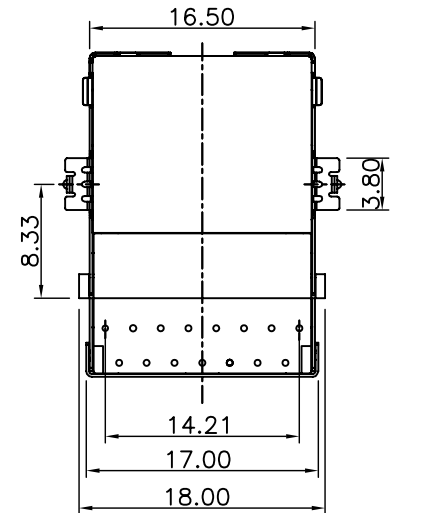
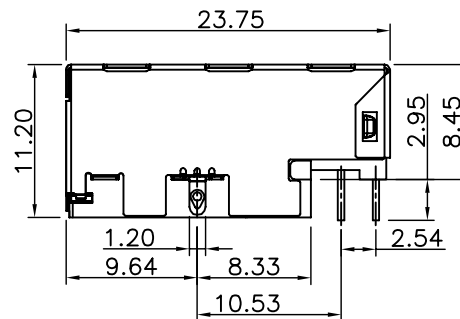
SHELL PLATING:  
 0: Ni

TRANSFORMER  
 0: 100M TRANSFORMER  
 △ 1: 1000M TRANSFORMER



RECOMMENDED P.C.BOARD HOLE LAYOUT

NOTE: P.C.B LAYOUT TOLERANCE: ±0.05mm



GENERAL TOLERANCE ± 0.25mm	WIESON TECHNOLOGIES CO., LTD		PART NO.: G7412-63*****-00	
	DRAWN BY	LRP(WSC)	DRAWING NO.	G7412-63*****-00
GENERAL ANGLE TOLERANCE ± 3°	CHECKED BY	JINKENS	DRAWING SIZE	A4
	APPROVED BY	JINKENS	UNIT	mm
⊙	SORTING NO.	CA0192(WSC)	PAGE	1 OF 3

**PROPOSAL**

[ARTICLE:044033 V6]

**RoHS Compliant**

RJ45 JACK CONNECTOR (WITH LED/TRANSFORMER)

REV	DATE	DESCRIPTION	ECN NO.	NAME
A	13.06.03	PROPOSAL		LRP
A1	13.06.10	△ MODIFY		LRP
A2	13.06.28	△ MODIFY		LXJUN

ELECTRICAL SPECIFICATIONS:

1.0 TURNS RATIO:

(P2~P3):(J1~J2) : 1:1±3%

(P4~P5):(J3~J6) : 1:1±3%

2.0 INDUCTANCE:

(P2~P3) : 350uH MIN @ 0.1V,100KHZ, 8mA DC BIAS

(P4~P5) : 350uH MIN @ 0.1V,100KHZ, 8mA DC BIAS

3.0 LEAKAGE INDUCTANCE:

P2~P3(WITH J1 AND J2 SHORT) : 0.3uH MAX @1 MHZ

P4~P5(WITH J3 AND J6 SHORT) : 0.3uH MAX @1 MHZ

4.0 INTERWINDING CAPACITANCE:

(P2~P3):(J1~J2) : 30pF MAX @ 1MHZ

(P4~P5):(J3~J6) : 30pF MAX @ 1MHZ

5.0 DC RESISTANCE:

(J1~J2):(J3~J6) : 1.2 OHMS MAX

6.0 RETURN LOSS:

1MHZ TO 30MHZ : -18dB MIN

30MHZ TO 60MHZ : -(18-20log(f/30))dB MIN (WHERE f IS IN MHZ)

60MHZ TO 80MHZ : -12dB MIN

7.0 DIELECTRIC WITHSTAND:

(P2~P3):(J1~J2) : 1500V AC OR 2250VDC

(P4~P5):(J3~J6) : 1500V AC OR 2250VDC

8.0 INSERTION LOSS:

100KHZ TO 100MHZ : -1.2dB MAX

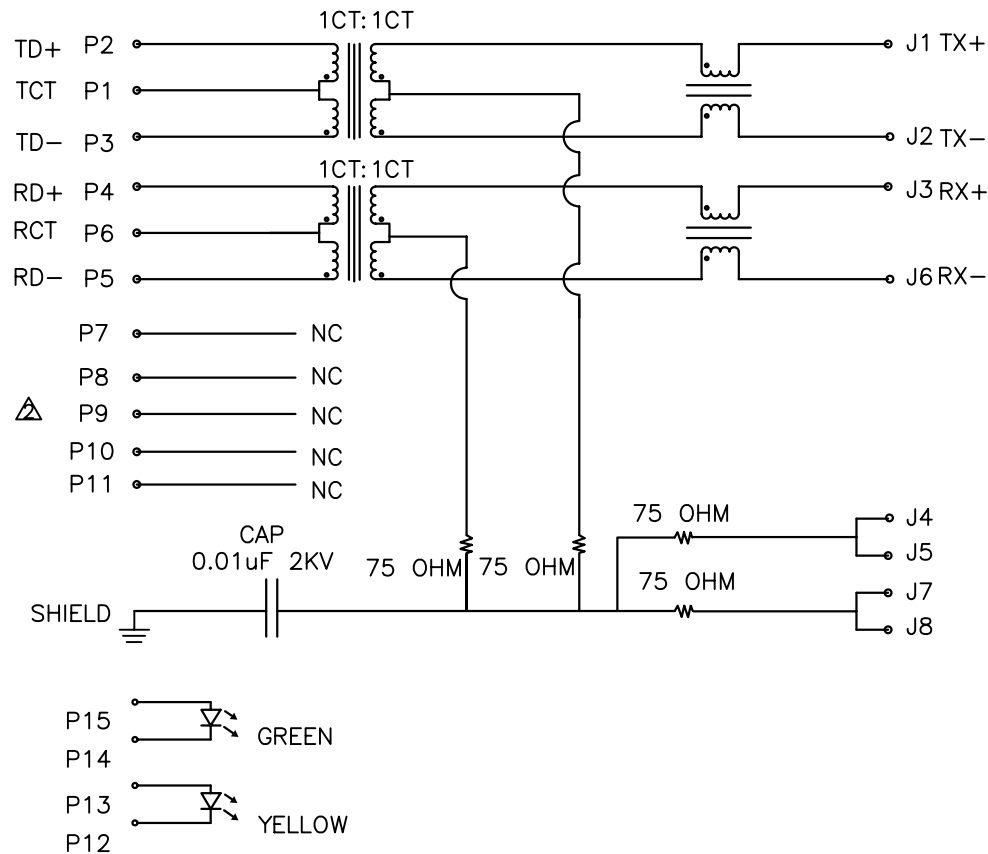
9.0 CROSS TALK:

1MHZ TO 100MHZ : -35dB TYP

10.0 COMMON TO COMMON MODE ATTENUATION:

30MHZ TO 100MHZ : -30dB TYP

100M TRANSFORMER



GENERAL TOLERANCE ± 0.25mm	WIESON TECHNOLOGIES CO., LTD		PART NO.: G7412-63*****-00	
	DRAWN BY	LRP(WSC)	DRAWING NO.	G7412-63*****-00
GENERAL ANGLE TOLERANCE ± 3°	CHECKED BY	JINKENS	DRAWING SIZE	A4
	APPROVED BY	JINKENS	UNIT	mm
⊕	SORTING NO.	CA0192(WSC)	PAGE	2 OF 3

PROPOSAL

[ARTICLE:044033 V6]

**RoHS Compliant**

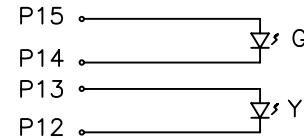
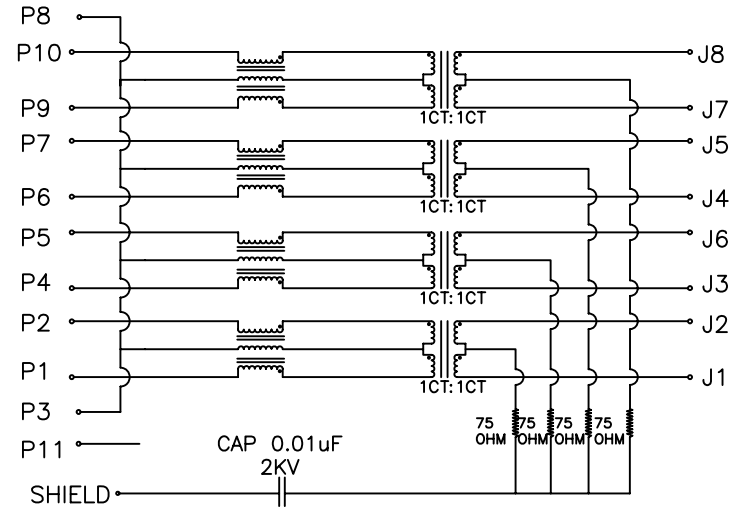
RJ45 JACK CONNECTOR (WITH LED/TRANSFORMER)

REV	DATE	DESCRIPTION	ECN NO.	NAME
A	13.06.03	PROPOSAL		LRP
A1	13.06.10	△ MODIFY		LRP
A2	13.06.28	△ MODIFY		LXJUN

1000M TRANSFORMER

ELECTRICAL SPECIFICATIONS:

- 1.0 TURN RATIO @100KHz:  
 (P1~P2):(J1~J2) : 1:1±5%  
 (P4~P5):(J3~J6) : 1:1±5%  
 (P6~P7):(J4~J5) : 1:1±5%  
 (P9~P10):(J7~J8) : 1:1±5%
- 2.0 PRIMARY INDUCTANCE: 350uH MIN @100KHz, 0.10V 8mA DC BLAS
- 3.0 DC RESISTANCE: 1.2 OHMS MAX
- 4.0 INSERTION LOSS:  
 1KHZ TO 100MHZ : -1.0dB MIN  
 100KHZ TO 125MHZ : -1.2dB MIN
- 5.0 RETURN LOSS:  
 1MHZ TO 40MHZ : -16dB MIN  
 40MHZ TO 60MHZ : -12dB MIN  
 60MHZ TO 80MHZ : -10dB MIN  
 80MHZ TO 80MHZ : -8dB MIN
- 6.0 CROSS TALK:  
 1MHZ TO 100MHZ : -30dB MAX
- 7.0 COMMON TO COMMON MODE ATTENUATION:  
 1MHZ TO 100MHZ : -30dB MIN
- 8.0 ISOLATION: PHY SIDE TO LINE SIDE: 2250VDC



PIN	GREEN	PIN	YELLOW
P14	-	P12	-
P15	+	P13	+

GENERAL TOLERANCE ± 0.25mm	WIESON TECHNOLOGIES CO., LTD	PART NO.: G7412-63*****-00	
		DRAWN BY: LRP(WSC)	DRAWING NO. G7412-63*****-00
GENERAL ANGLE TOLERANCE ± 3°	CHECKED BY: JINKENS	DRAWING SIZE	A4
	APPROVED BY: JINKENS	UNIT	mm
⊕	SORTING NO. CA0192(WSC)	PAGE	3 OF 3

PROPOSAL

[ARTICLE:044033 V6]