

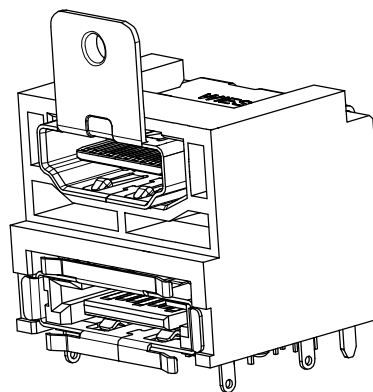
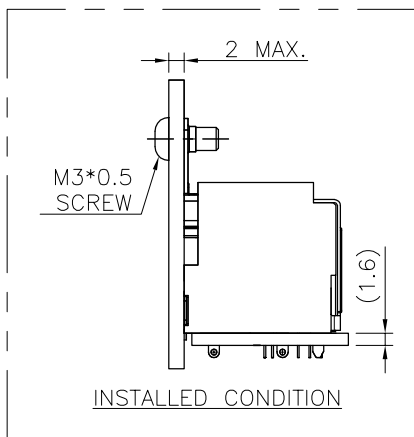
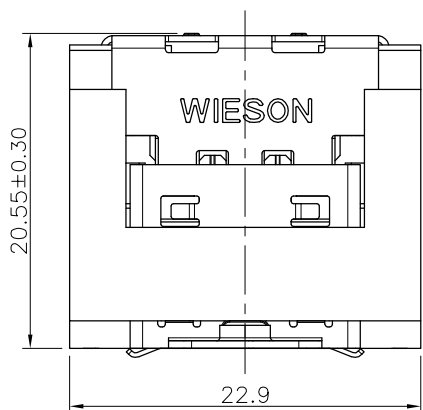
RoHS Compliant

7415 SERIES HDMI+ E-SATA CONNECTOR

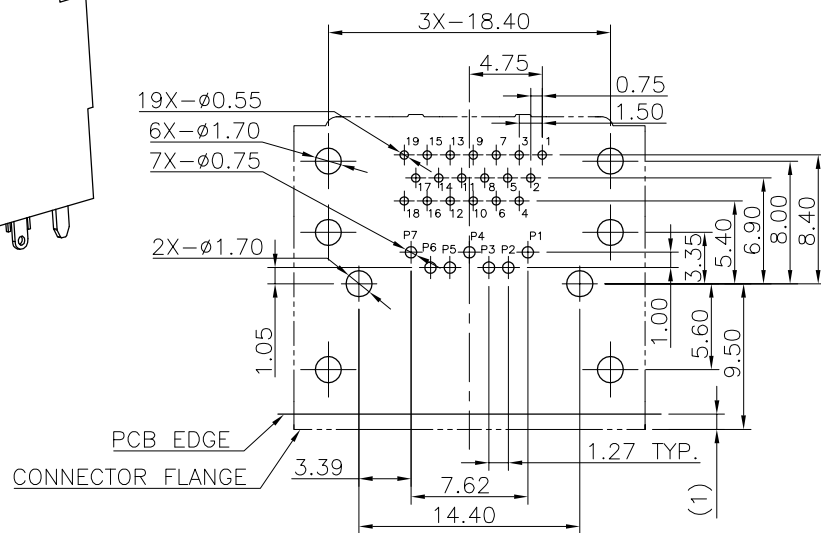
Customer Drawing

REV	DATE	DESCRIPTION	ECN NO.	NAME
A	12.10.23	PROPOSAL		Nate.H

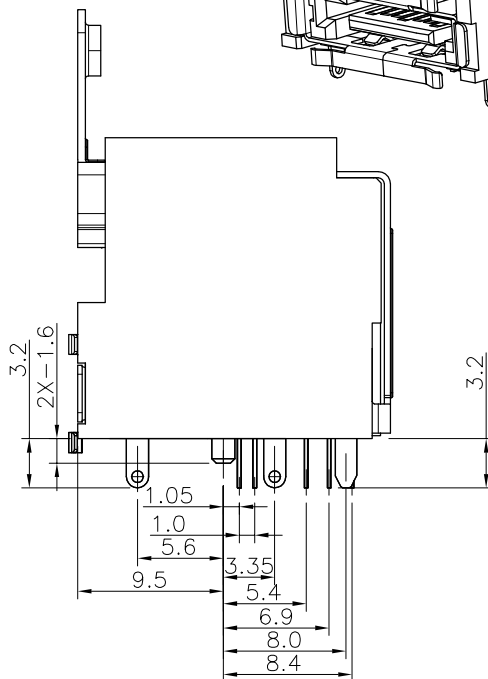
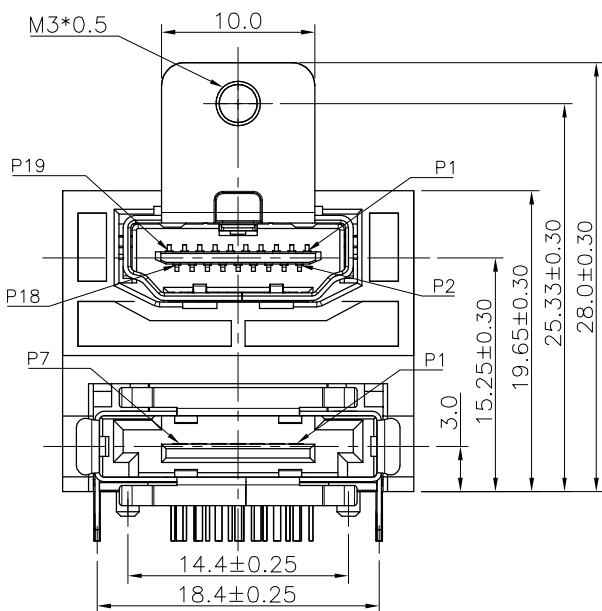
- NOTE: 1.MATERIAL :
 HOUSING : HIGH TEMPERATURE PLASTIC, UL94V-0 COLOR:BLACK
 TERMINAL : COPPER ALLOY.
 SHELL : COPPER ALLOY.
 E-SATA SHELL: COPPER ALLOY.
 2.PLATING :
 TERMINAL : Au PLATED ON CONTACT AREA, Sn PLATED ON SOLDER TAIL AREA, BOTH OVER Ni UNDERPLATED OVERALL.
 SHELL : WELDABLE Ni OVERALL.
 3.PACKING : TRAY.
 4.ORDER INFORMATION: G7415-010000XX -00



- HDMI PLATING
 0 : GOLD FLASH
 1 : 3u" Au
 2 : 15u" Au
 3 : 30u" Au
- eSATA PLATING
 0 : GOLD FLASH
 1 : 15u" Au
 2 : 30u" Au



RECOMMEND PCB LAYOUT (TOP VIEW)
 TOLERANCE: ±0.05mm



GENERAL TOLERANCE	WIESON TECHNOLOGIES CO., LTD	PART NO.: G7415-010000XX-00	
X.X = ±0.20	WIESON	DRAWN BY	Nate.H
X.XX = ±0.15		CHECKED BY	HSIEN
X.X* = ±3'		APPROVED BY	FRED LEE
		SORTING NO.	WSC
		DRAWING NO.	G7415-010000XX-00
		DRAWING SIZE	2 : 1 A4
		UNIT	mm
		PAGE	1 OF 1