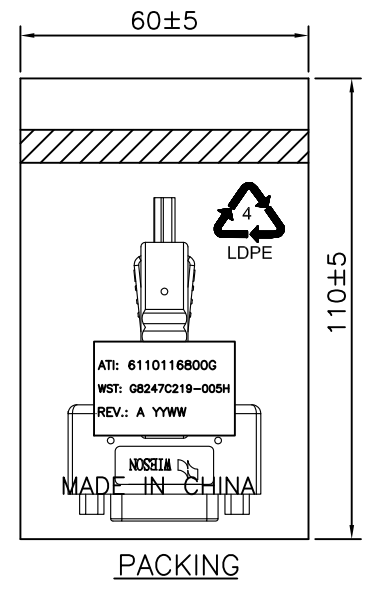
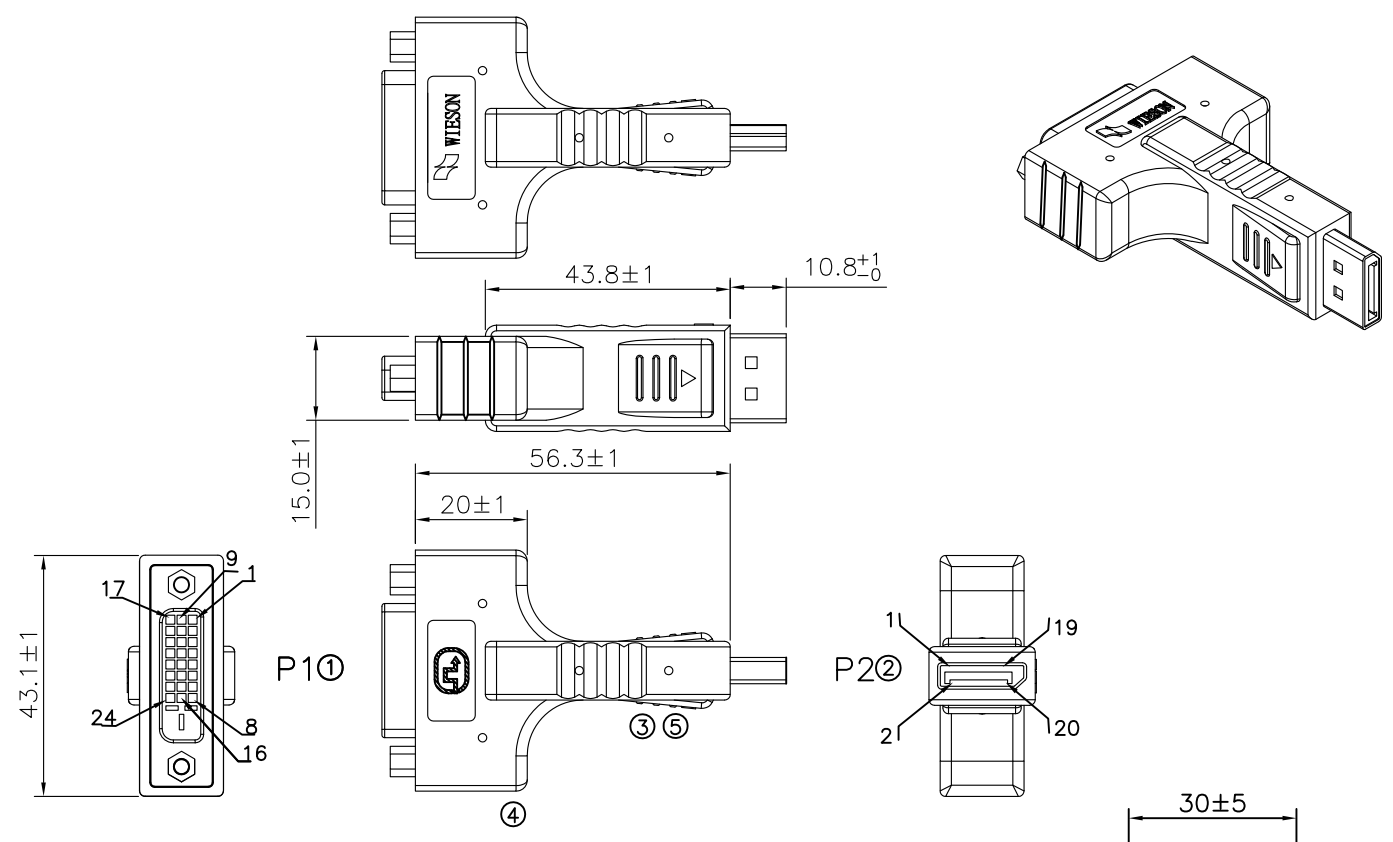


RoHS Compliant

REV	DATE	DESCRIPTION	ECN NO.	NAME
A	09.05.11	NEW RELEASE		

A
B
C
D
E



NOTE:
 1.ADAPTER INNERMOLD NUMBER:MCOT00-1W-1258.
 OVERMOLD NUMBER:MCOT00-3W-1259.
 2.KEY OVERMOLD NUMBER: MCOT00-5W-1278.
 3.ADAPTER 360° WRAP DOUBLE COPPER-FOIL WELD.
 4.OVERMOLD COLOR: GREY(GC33) PVC.

ATI: 6110116800G
 WST: G8247C219-005H
 REV.: A YYWW

CUST NO.:
 6110116800G
 PART NO.:
 G8247C219-005H

NO.	ITEM	DESCRIPTION	QTY	SORTING NO.	WCS	PAGE	1 OF 1	
⑤	KEY	GABS-NF010000.	2	TITLE:				
④	PVC	PVC OVERMOLD COLOR:GRAY(GC33).	1	DP 20P MALE TO DVI FEMALE ADAPTOR				
③	PCB ASSEMBLY	WITH PCB AND ELECTRONIC COMPONENT.	1	DRAWN BY	LXPENG(WSC)	DRAWING NO.	G8247C219-005H	
②	CONNECTOR	DISPLAY PORT,20P PLUG. WITH NO LATCH.	1	CHECKED BY	TAMMY	DRAWING SIZE	NONE A4	
①	CONNECTOR	DVI-D, 24+1PIN, FEMALE,CONTACT: GOLD FLASH,WHITE INSULATION.WIESON:G3281-262508.	1	APPROVED BY	TOLIN YANG	UNIT	mm	

WIESON TECHNOLOGIES CO., LTD
 WIESON