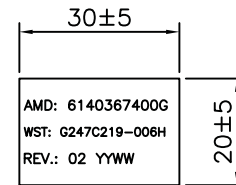
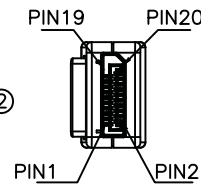
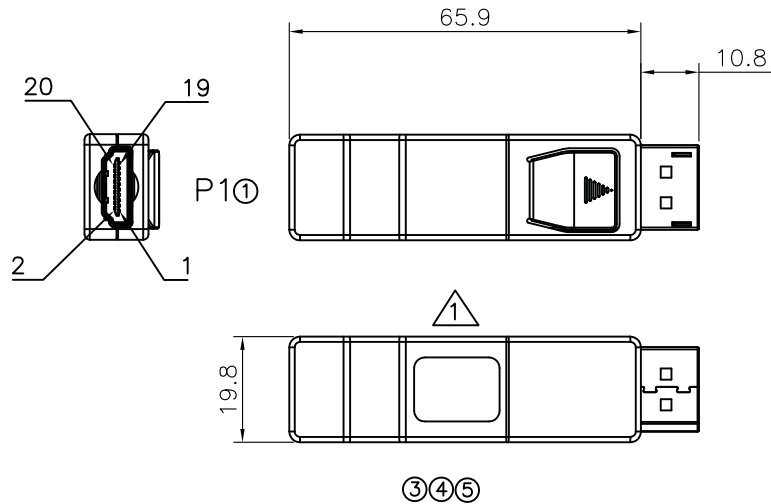


# Proposal Drawing

RoHS Compliant

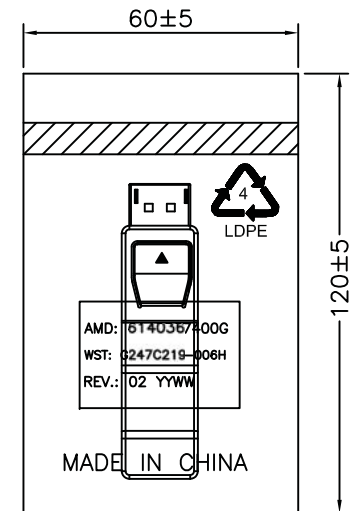
REV	DATE	DESCRIPTION	NAME
01	08.04.17	NEW RELEASE	
02	09.06.15	Delete ATI marking. Change plastic case color	LXPENG

A  
B  
C  
D  
E



AMD: 6140367400G  
WST: G247C219-006H  
REV.: 02 YYWW

LABEL



MADE IN CHINA

PACKING

CUST. P/N.  
6140367400G

NO.	ITEM	DESCRIPTION	QTY	SORTING NO.	WSC	PAGE	1 OF 3
⑤	PLASTIC CASE	BLACK.	1				
④	MATEL CASE	SPCC, 0.3mm, NICKEL PLATED.	1				
③	PCB MODULE	WA14.0*WB11.7*L14.0*H1.6mm.	1				
②	CONNECTOR	DISPLAY PORT,20P PLUG. WITH LATCH.68-0204-20-H:T-938.	1				
①	CONNECTOR	HDMI 19P A TYPE FEMALE,CONTACT: GOLD FLASH,BLACK INSULATION.	1				
				WIESON TECHNOLOGIES CO., LTD	PART NO.:	G8247C219-006H	
				WIESON	TITLE:	HDMI 19P FEMALE TO DP 20P MALE ADAPTOR(W/LATCH)	
				DRAWN BY	SAM(WSC)	DRAWING NO.	G8247C219-006H
				CHECKED BY		DRAWING SIZE	A4
				APPROVED BY		UNIT	mm
					WSC		