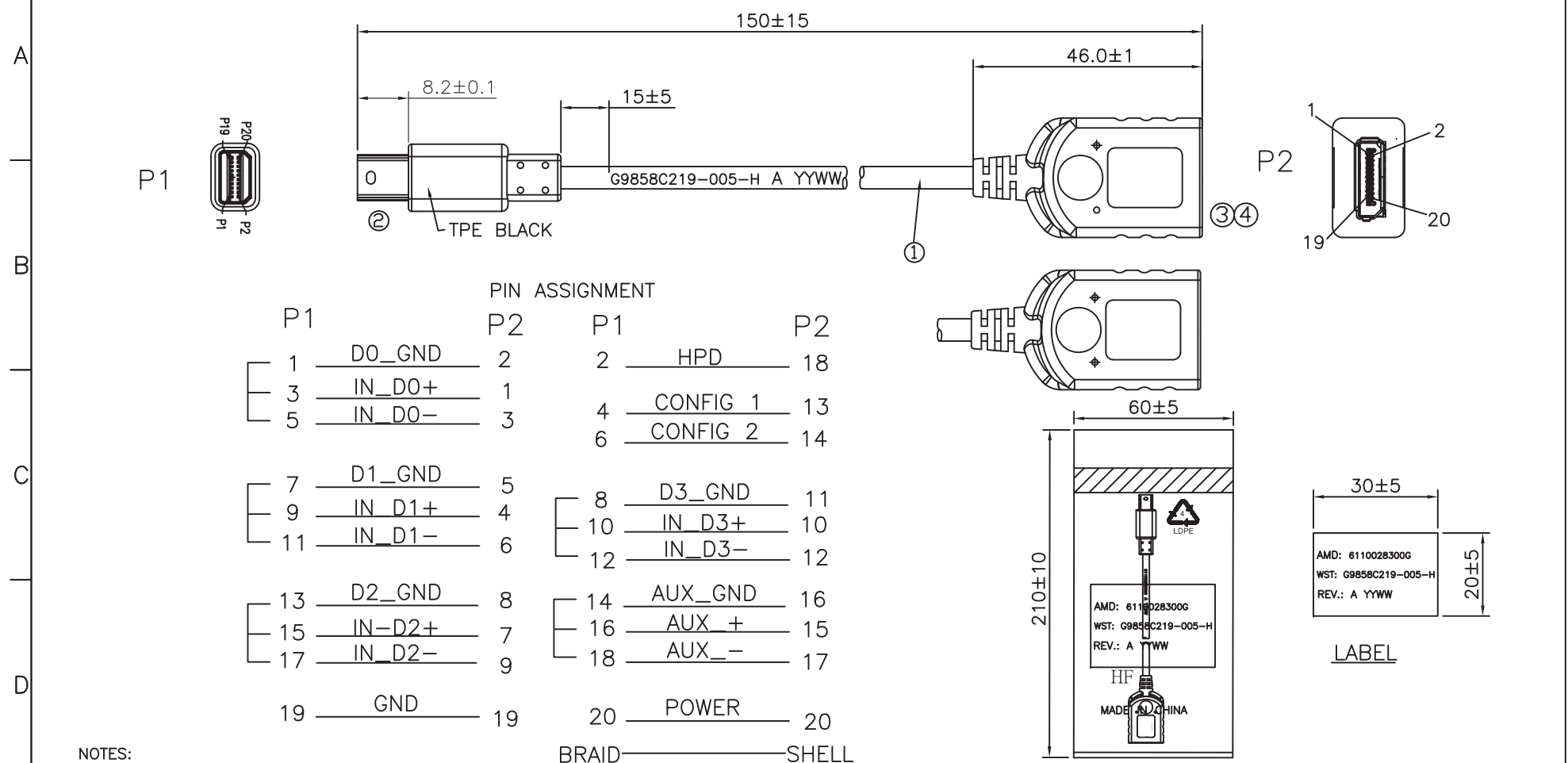


RoHS Compliant

REV	DATE	DESCRIPTION	ECN NO.	NAME
A	09.08.14	NEW RELEASE		LXPENG



PIN ASSIGNMENT

P1	P2	P1	P2
1 DO_GND	2	2 HPD	18
3 IN_D0+	1	4 CONFIG 1	13
5 IN_D0-	3	6 CONFIG 2	14
7 D1_GND	5	8 D3_GND	11
9 IN_D1+	4	10 IN_D3+	10
11 IN_D1-	6	12 IN_D3-	12
13 D2_GND	8	14 AUX_GND	16
15 IN_D2+	7	16 AUX_+	15
17 IN_D2-	9	18 AUX_-	17
19 GND	19	20 POWER	20
		BRAID	SHELL

- NOTES:
- P1 MODEL NUMBER:MLCW-DP-1337,MLCW-DP-1338.
 - P2 MODEL NUMBER:MLCW-DP-1335,MLCW-DP-1336.
 - P1&P2 USE 35u" COPPER FOIL AND RING SOLDER .
 - This is for Halogen free

CUST P/N: 6110028300G
PART NO.: G9858C219-005-H
WIESON TECHNOLOGIES CO., LTD

NO.	DESCRIPTION	QTY	TITLE:	DRAWN BY	DRAWING NO.
④	PCB DP JACK-PCB(L8.00*W16.5*H1.6) FR4 (HF)	1	MINI DP/M TO DP/F PIG TAIL CABLE	LXPENG(WSC)	G9858C219-005-H
③	CONNECTOR DISPLAYPORT 20P,FEMALE,CONTACT:GOLD FLASH,BLACK INSULATION(HF)	1	CHECKED BY TAMMY	DRAWING SIZE NONE	A4
②	MINI DP PLUG MINI DISPLAYPORT PLUG,20P(HF)	1	APPROVED BY TOLIN YANG	UNIT mm	
①	CABLE UL21451 (32AWG*1P+D+AL/MY)*5C+32AWG*5C+MY/AL+BRAID+PAPER JACKET MPPE-PE BLACK OD:5.5mm(HF)	1	SORTING NO. WSC	PAGE 1 OF 1	